

*Struc-Auto*



*Struc-Auto*

*Struc-Auto*

*Struc-Auto*

*Struc-Auto*

# About Struc-Auto

In the midst of a world wide pandemic in the year 2020 an opportunity arose for our company to emerge as an essential service provider within various industrial manufacturing facilities.

These services included:

- Labour services.
- Machine process development.
- Machine maintenance & servicing.
- Plant disassembly and reassembly.
- Design of fully automated process systems.

With our attention to customer satisfaction and service delivery as well as competitive pricing, we found our company expanded at an alarming rate.

Struc-Auto also became a reputable supplier of various services , designs and labour to many companies.

Our vision is:

- \* To ensure our customers the highest level of quality construction services at fair and market competitive prices.
- \* To ensure the longevity of our company through repeat and referral business achieved by customer satisfaction in all areas including , attention to detail and service-minded attitudes.
- \* To maintain the highest levels of professionalism, integrity, honesty and fairness in our relationships with our suppliers, subcontractors, professional associates and customers.
- \*To stay the "go to" company above all others

# *Products & Services*

Industries:

Automotive:

Automotive Manufacturing Solutions  
Conveyors  
Special application machinery.  
Robotic Solutions

Food Industry:

Automated Bakery Solutions  
Packaging Machines  
Label Applicators  
Glazing Machine  
Decoration turnstiles  
Automatic Decorations Stations  
Topping applicators  
Mixing Equipment

Electrical Controllers

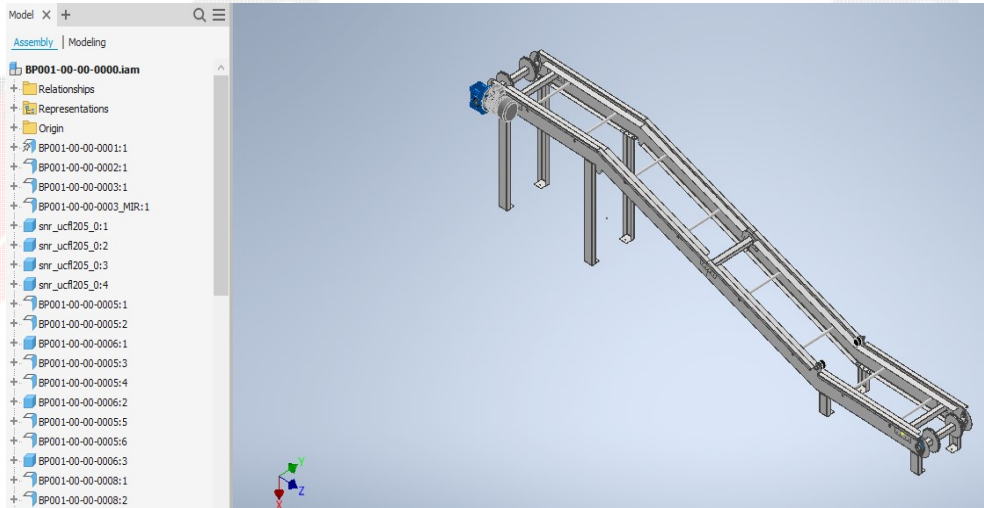
PLC Programming

We cater each machine to your specific requirements.  
Whether it is  
a one of a kind prototype or off the shelf machine that  
needs  
custom additions

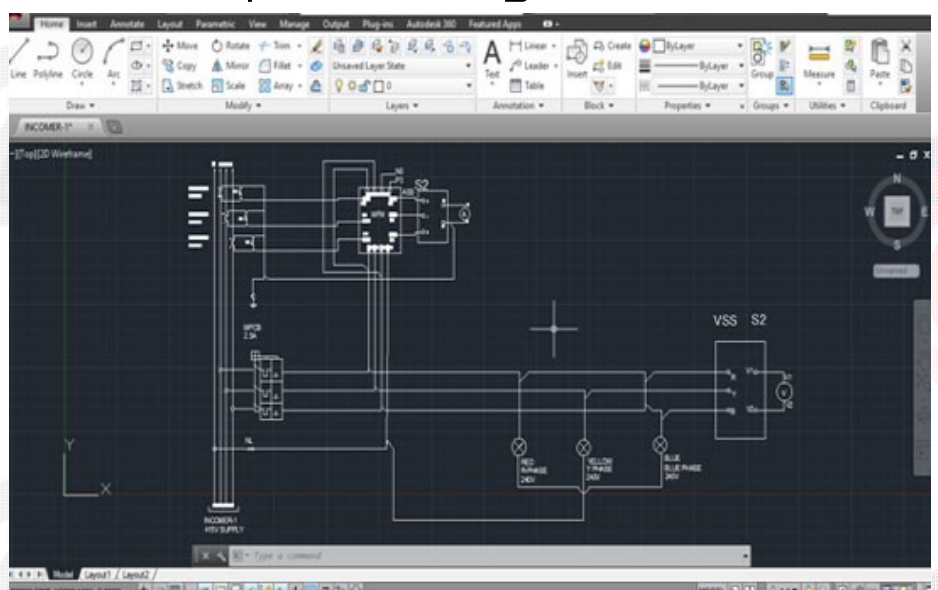
# Services

## Labor Services offered by Struc-Auto

- > Mechanical Design
- > Project Planning & Management
- > Mechanical Manufacturing



- > Electrical Design
- > Electrical Cabinet Manufacturing
- > Electrical Installation
- > Certificate of Compliance Sign-off's



## Labor Services offered by Struc-Auto

- > PLC Programming
  - > TIA Portal V12, V13, V14, V15.1, V16
- > Software Development
- > Fault Finding

The screenshot displays the Siemens TIA Portal interface for configuring a PLC. The main window shows a rack configuration for a PLC\_1 [CPU 1511-1 PN]. The rack is divided into slots, with slot 2 containing a DI 16x24VDC BA module. The module's properties are shown in the 'Details view' at the bottom, including a table of IO tags.

Module	General	IO tags	System constants	Texts		
DI 16x24VDC BA_1 [DI 16x24VDC BA]						
	Name	Name	Type	Address	Tag table	Comment
	Device configuration	Start_PB	Bool	%I0.0	Default tag table	
	Online & diagnostics	Stop_PB	Bool	%I0.1	Default tag table	
	Software units		Bool	%I0.2		
	Program blocks		Bool	%I0.3		
	Technology objects		Bool	%I0.4		
	External source files		Bool	%I0.5		
	PLC tags		Bool	%I0.6		
	PLC data types		Bool	%I0.7		
	Watch and force tables		Bool	%I1.0		

## *Skillset of Struc-Auto*

### Skilled trades within Struc-Auto

- > Millwrights (Skilled & Semi Skilled)  
Construction Millwrights
  
- > Electricians (Skilled)  
High & Low Voltage Systems  
Control Circuits electricity
  
- > Fitters
- > Boilermakers  
Tig, Mig & ARC
  
- > PLC Programmers
- > Software developer
- > Project Engineer
- > Site Safety Manager.
- > Tool Makers

# Projects

## Projects completed by Struc-Auto

- > Langplaas Carrot Line (FMCG Standards)
- > Customer: Innovation Technology International

## Services from Struc-Auto

- > Design
- > Assembly
- > Installation



# Projects

## Projects completed by Struc-Auto

- > Tea Time Cakes, Cake depositing & Deco Line (FMCG)
- > Customer: Tea Time Cakes

## Services from Struc-Auto

- > Design
- > Project Management
- > Assembly
- > Installation



# Projects

## Projects completed by Struc-Auto

- > Bupo Animal Health Packaging Line
- > Customer: Bupo Animal Health

## Services from Struc-Auto

- > Design
- > Project Management
- > Assembly
- > Installation



To whom it may concern

It is with great pleasure that I am writing to recommend the services of Struc-Auto.

Struc-Auto has made me realise that no project is too big or too small for them, and even when it seems impossible, it is possible.

The first time I met Louis from Struc-Auto, our company was looking to install a conveyer belt system for our powder packaging line. After doing an assessment in that regard, Louis further did a walk-in around our production plant and identified several areas he could help improve. When he saw our liquid filling machine, which many companies had failed to fix, and that which we were in the process of decommissioning, he told me he can refurbish it, little did I know that it would be as efficient as it is, today.

Struc-Auto has been there to give support on any needs regarding using the machine, and have helped us on other smaller projects as well. They are very efficient at what they do, and are always keen to get their client involved from start to end.

I confidently recommend Struc-Auto for any project they choose to undertake.

Should you have any further queries do not hesitate to contact me.

Sincerely,

**Buntubonke Gom**

Production Manager

Bupo Business Group

Tel: 012 803 4376

email: buntubonke.mzondo@bupoah.co.za

  
**Bupo**  
Animal Health  
Rooted in Quality

# Customers & Suppliers



SINCE 1942

**LANGPLAAS**  
*Family Farm™*

REJOICE IN THE LORD ALWAYS

