

LINACT-J Linear Actuator

- Typical Applications: Solar Tracking, Industrial Equipment, Furniture, Sweepers, Campers, Instrument Aid Setting, Caravan, Louvers, Window Openers, Medical Beds, Etc.
- DC Permanent magnet motor
- Speeds from 5mm/s up to 58mm/s
- Standard Stroke length: 30 – 1000mm

Mechanical Data

- Operating temperature -40°C~+65°C
- Protection – IP66
- Standard Voltage: 12, 24, 36, 48Vdc
- Built in Limit Switches
- Potentiometer feedback Optional
- Hall feedback Optional
- CE Certified



Force Data

- Max Load – up to 2 000N (200Kg)
- Max static force – 3000N (300Kg)
- Duty Cycle 25% with full load

Transmission Parameters

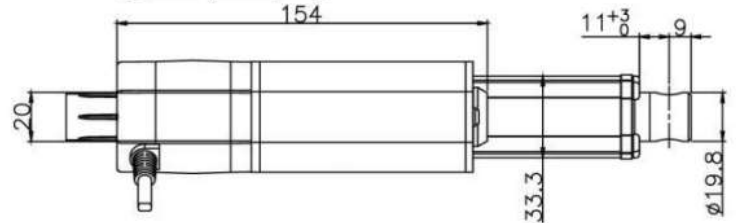
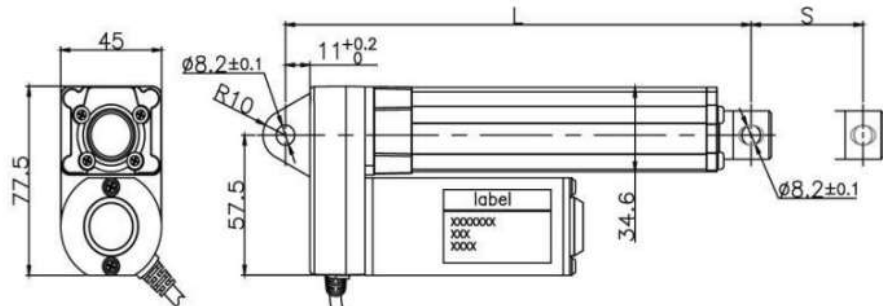
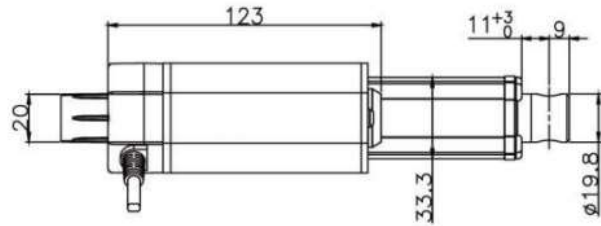
Code	Motor Speed	Rating load (N)	Speed (MM/S) ±10%		Current A (Normal Temperature)							
					12V		24V		36V		48V	
			No Load	Full Load	No Load	Full Load	No Load	Full Load	No Load	Full Load		
A	4000rpm	2000	5	4	1.2	3.5	0.6	2.0	0.4	1.5	0.3	1.0
B		1600	7	5.5	1.2	3.5	0.6	2.0	0.4	1.5	0.3	1.0
C		1200	10	8	1.2	3.5	0.6	2.0	0.4	1.5	0.3	1.0
D		700	18	14	1.2	3.5	0.6	2.0	0.4	1.5	0.3	1.0
E		300	38	30	1.2	3.5	0.7	2.0	0.5	1.5	0.3	1.0
F	6000rpm	1200	8	6	1.5	4	0.8	2.5	0.5	1.5	0.3	1.0
G		800	10	8	1.5	4	0.8	2.5	0.5	1.5	0.3	1.0
H		600	14	11	1.5	4	0.8	2.5	0.5	1.5	0.3	1.0
I		400	28	22	1.5	4	0.8	2.5	0.5	1.5	0.3	1.0
J		200	58	45	1.5	4	0.8	2.5	0.5	1.5	0.3	1.0

Stroke and Load

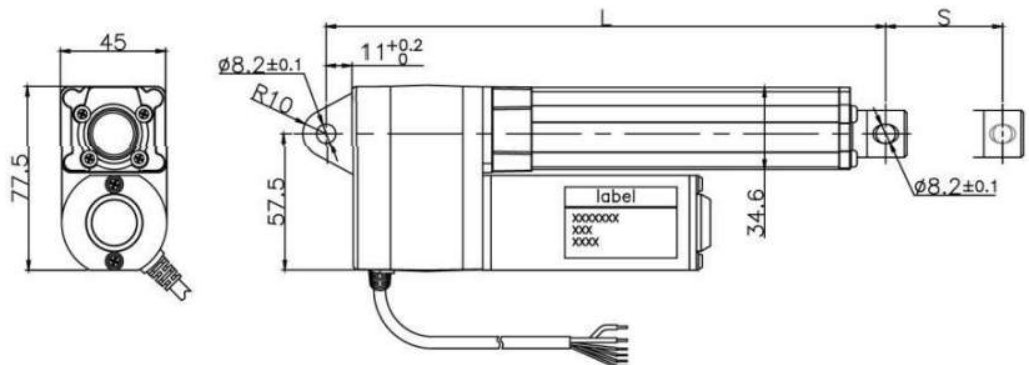
Stroke mm	400	600	800	1000	1200	1600	2000	Load N
501 – 600	[Bar chart showing load capacity for 501-600mm stroke]							
401 – 500	[Bar chart showing load capacity for 401-500mm stroke]							
301 – 400	[Bar chart showing load capacity for 301-400mm stroke]							
201 – 300	[Bar chart showing load capacity for 201-300mm stroke]							
30 – 200	[Bar chart showing load capacity for 30-200mm stroke]							

Dimensional Drawing

1> : Dimension standard
 $30 \leq \text{Stroke} < 300, L = S + 108$
 (Stroke : 30 , Speed : 20+ , $L \geq 140$)
 $300 \leq \text{Stroke} < 500, L = S + 120$
 $500 \leq \text{Stroke} \leq 600, L = S + 130$
 Mounting holes 90° (standard)

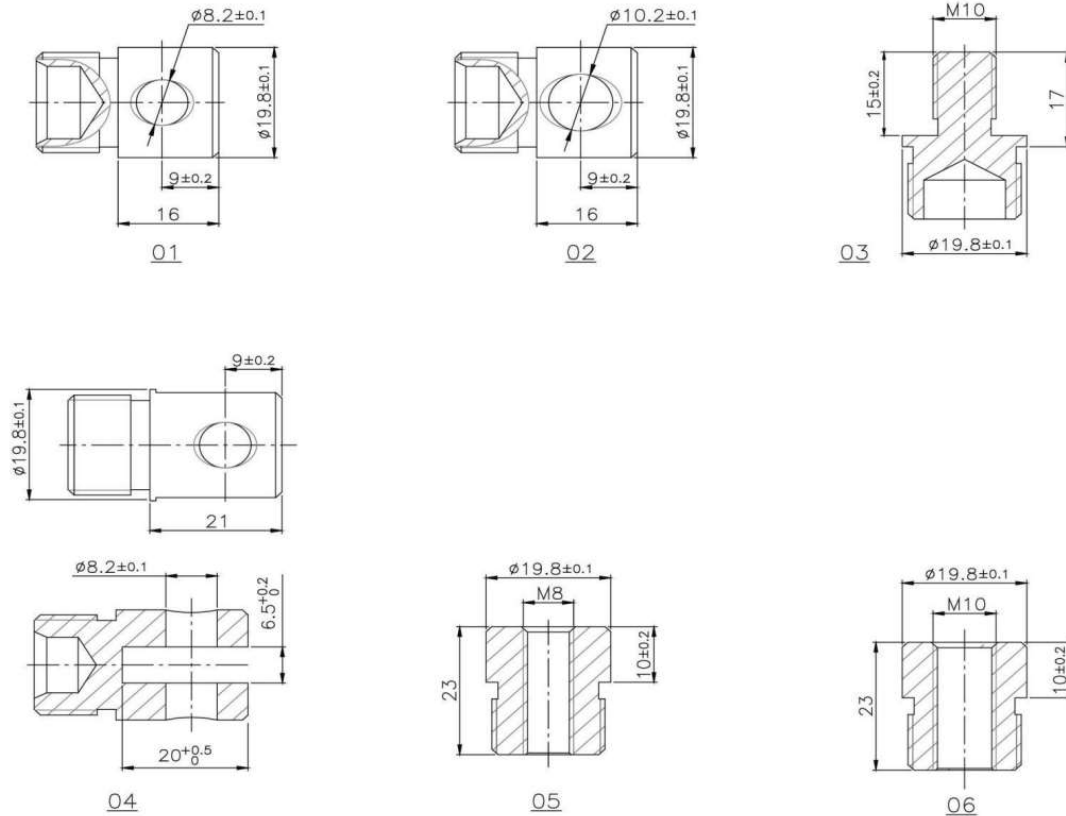


2> : Dimensions with potentiometer
 $30 \leq \text{Stroke} < 300, L = S + 140$
 $300 \leq \text{Stroke} < 500, L = S + 150$
 $500 \leq \text{Stroke} \leq 600, L = S + 160$
 Mounting hole 90° (standard)



Note: When front attachment is joint bearing or customized attachment, the dimension is not apply to above rules

Front End Options



Note: "01" —Standard, "07" —Customized

Potentiometer range

Code	Output Signal	Features	Resolution 1mm stroke ±10%
A – J	Potentiometer	Stroke	
		0-76mm 10KΩ	0.13158KΩ
		0-215mm 10KΩ	0.0465KΩ
A, F	Hall	Signal (One Pole Pair)	12.37
B, G			9.61
C, H			6.72
D, I			3.5
E, J			1.69



Website: www.linact.co.za E-mail: info@linact.co.za