

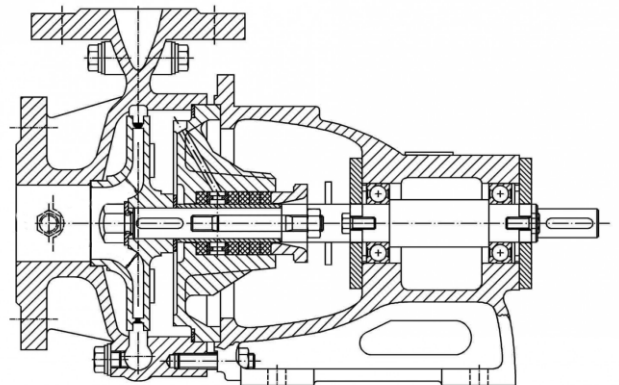
**INFINITYFLO**

PUMPS (PTY) LTD

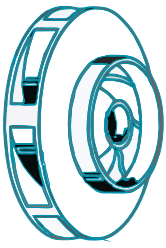
# **AIX** SERIES SINGLE STAGE END-SUCTION CENTRIFUGAL PUMPS



黄页88网  
www.huangye88.com

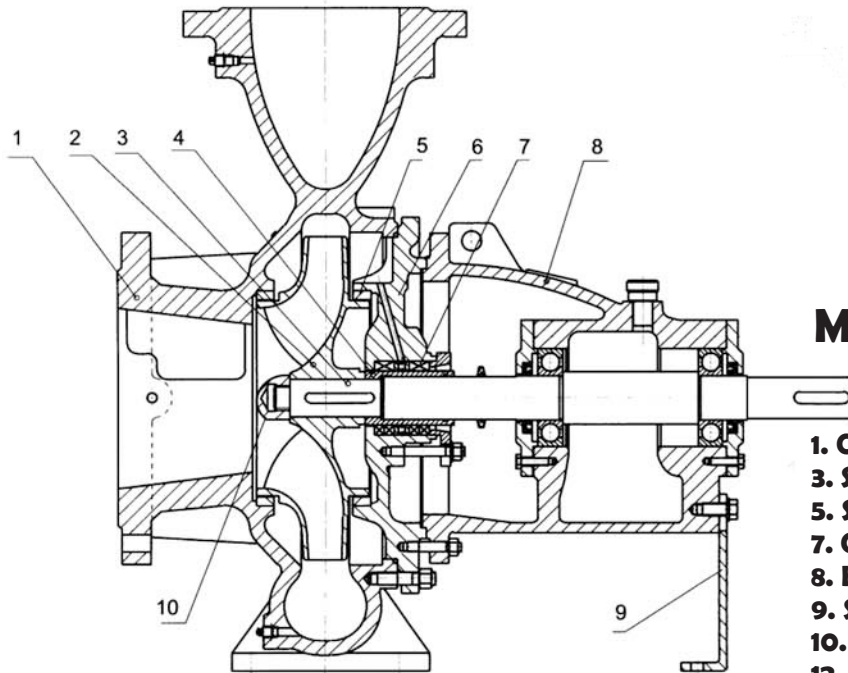


**WWW.INFINITYFLO.CO.ZA**  
**SALES@INFINITYFLO.CO.ZA**

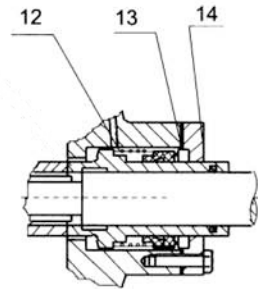


# INFINITYFLO

PUMPS (PTY) LTD



**AIX SECTIONAL DRAWING**



**MECHANICAL SEAL**  
Mechanical Seal Structure

- |                     |                 |
|---------------------|-----------------|
| 1. Casing           | 2. Impeller     |
| 3. Shaft            | 4. Shaft Sleeve |
| 5. Seal Ring        | 6. Volute       |
| 7. Gland Packing    |                 |
| 8. Bearing Bracket  |                 |
| 9. Support Foot     |                 |
| 10. Impeller Nut    |                 |
| 12. Mechanical Seal |                 |
| 13. Gasket          |                 |
| 14. Seal Gland      |                 |

**APPLICATION**

AIX series pumps are used to transport clean water or liquids that have similar properties to water. Applications include water supply and drainage in Industry, Agriculture, Mining, Fire Protection, ventilation, Water & Forestry

**STRUCTURAL DESIGN**

AIX series pumps are single stage, single suction, back-pull-out centrifugal pumps which conform to DIN 24255 standards. The pumps are driven by electric motor or diesel engine by long coupling or a direct coupled option is available. Standard flanges are B54504.

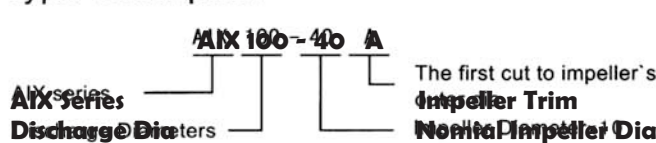
**SHAFT SEAL**

Standard sealing by means of graphite gland packing or single-spring mechanical seal. Other options available based on application.

**BENEFITS & FEATURES**

Hydraulic components are computer designed to ensure high efficiency and reliable performance. Pedestal option available to directly replace popular models in the agricultural market. Cast lifting lug on all models to facilitate effortless lifting when installing or removing the pumps. Proven in the African Market with nearly a decade worth of experience and sales.

**NOMENCLATURE**

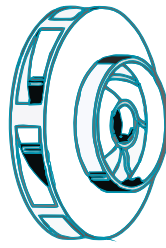


**Performance**

Discharge DN	32-300mm
Capacity Q	Max 1200m <sup>3</sup> /h
Head H	Max 150m
Working Pressure P	Max 1.6Mpa
Working Temperature	Max 150 Deg C
Max speed 3500r/min	Impeller Dia to be reduced

**MATERIALS OF CONSTRUCTION**

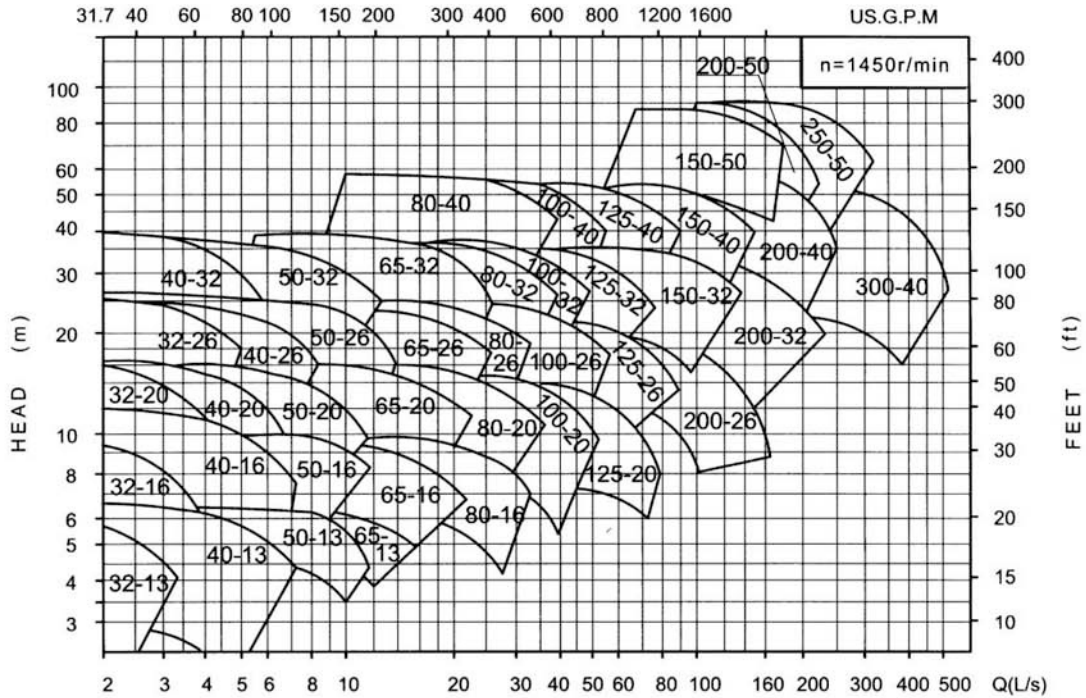
Part Name	Standard material
Volute Casing Gland Plate	HT250
	QT450-10
Impeller	HT250
	ZCuAl10Fe3
	CG18Ni9 CG17Ni12Mo2
Shaft	2Cr13
Shaft Sleeve	2Cr13
Casing Ring Casing Ring	HT250
	ZCuNi3P5Zn5



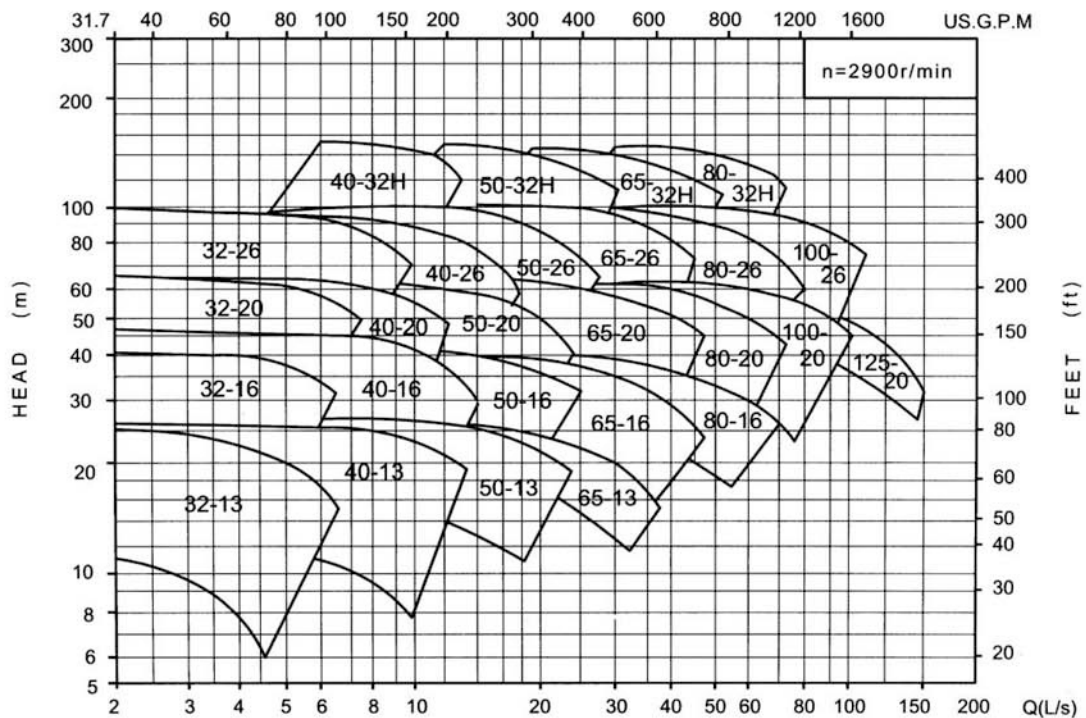
# INFINITYFLO

PUMPS (PTY) LTD

## n=1450 r/min

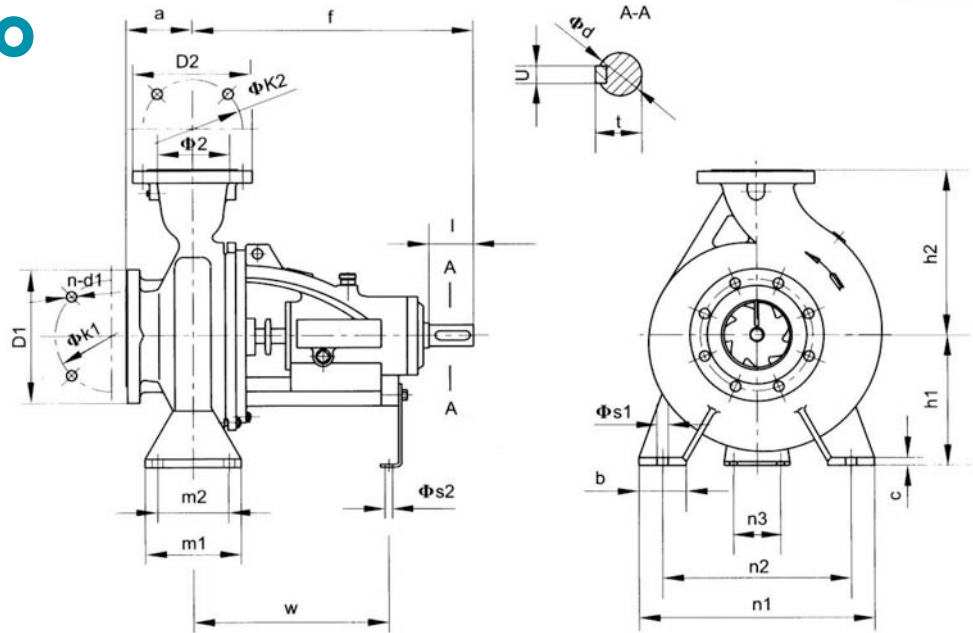


## n=2900 r/min





**INFINITYFLO**  
PUMPS (PTY) LTD



# DIMENSIONS

AIX Type	Shaft Dimensions	Pump Dimensions						Pump Foot Dimensions								Shaft Face					
		phi 1	phi 2	a	f	h1	h2	b	c	m1	m2	n1	n2	phi s1	n3	phi s2	w	d	l	t	u
32/13	25	50	32	80	360	112	140	50	14	100	70	190	140	14	100	14	267	24	50	27	8
32/16	25	50	32	80	360	132	160	50	14	100	70	240	190	14	100	14	267	24	50	27	8
32/20	25	50	32	80	360	160	180	50	14	100	70	240	190	14	110	14	267	24	50	27	8
32/26	25	50	32	100	360	180	225	65	14	125	95	320	250	14	110	14	267	24	50	27	8
40/13	25	65	40	80	360	112	140	50	14	100	70	210	160	14	100	14	267	24	50	27	8
40/16	25	65	40	80	360	132	160	50	14	100	70	240	190	14	100	14	267	24	50	27	8
40/20	25	65	40	100	360	160	180	50	14	100	70	265	212	14	110	14	267	24	50	27	8
40/26	25	65	40	100	360	180	225	65	14	125	95	320	250	14	110	14	267	24	50	27	8
40/32	35	65	40	125	470	200	225	65	14	125	95	345	280	14	110	14	342	32	80	35	10
50/13	25	65	50	100	360	132	160	50	14	100	70	240	190	14	100	14	267	24	50	27	8
50/16	25	65	50	100	360	160	180	50	14	100	70	265	212	14	110	14	267	24	50	27	8
50/20	25	65	50	100	360	160	200	50	14	100	70	265	212	14	110	14	267	24	50	27	8
50/26	25	65	50	100	360	180	225	65	14	125	95	320	250	14	110	14	267	24	50	27	8
50/26G	35A	65	50	100	454	180	225	65	14	125	95	320	250	14	110	14	327	32	80	35	10
50/32	35	65	50	125	470	225	280	65	16	125	95	345	280	14	110	14	342	32	80	35	10
65/13	25	80	65	100	360	160	180	65	14	125	95	280	212	14	110	14	267	24	50	27	8
65/16	25	80	65	100	360	160	200	65	14	125	95	280	212	14	110	14	267	24	50	27	8
65/20	25	80	65	100	360	180	225	65	14	125	95	320	250	14	110	14	267	24	50	27	8
65/20G	35A	80	65	100	454	180	225	65	14	125	95	320	250	14	110	14	328	32	80	35	10
65/26	35	80	65	100	470	200	250	80	16	160	120	360	280	17.5	110	14	342	32	80	35	10
65/32	35	80	65	125	470	225	280	80	16	160	120	400	315	17.5	110	14	342	32	80	35	10
80/16	25	100	80	125	360	180	225	65	14	125	95	320	250	14	110	14	267	24	50	27	8
80/16G	35A	100	80	125	454	180	225	65	14	125	95	320	250	14	110	14	326	32	80	35	10
80/20	35	100	80	125	470	180	250	65	14	125	95	345	280	14	110	14	342	32	80	35	10
80/26	35	100	80	125	470	200	280	80	16	160	120	400	315	17.5	110	14	342	32	80	35	10
80/32	35	100	80	125	470	250	315	80	16	160	120	400	315	17.5	110	14	342	32	80	35	10
80/40	45	100	80	125	532	280	355	85	16	160	120	440	340	17.5	110	14	368	42	110	45	12
100/20	35	125	100	125	470	200	280	80	16	160	120	360	280	17.5	110	14	342	32	80	35	10
100/26	35	125	100	140	470	225	280	80	16	160	120	400	315	17.5	110	14	342	32	80	35	10
100/26G	45A	125	100	140	520	225	280	80	16	160	120	400	315	17.5	110	14	363	42	110	45	12
100/32	35	125	100	140	470	250	315	80	16	160	120	400	315	17.5	110	14	342	32	80	35	10
100/40	45	125	100	140	530	280	355	100	18	200	150	500	400	23	110	14	370	42	110	45	12
125/20	35	150	125	140	470	250	315	80	16	160	120	400	315	17.5	110	14	342	32	80	35	10
125/26	35	150	125	140	470	250	355	80	16	160	120	400	315	17.5	110	14	342	32	80	35	10
125/32	45	150	125	140	530	280	355	100	18	200	150	500	400	23	110	14	370	42	110	45	12
125/40	45	150	125	140	530	315	400	100	18	200	150	500	400	23	110	14	370	42	110	45	12
125/50	60	150	125	180	680	375	500	100	24	200	150	550	450	24	140	14	500	55	110	59	16
150/20	35G	200	150	160	495	280	400	100	20	200	150	550	450	23	110	14	367	32	80	35	10
150/26	45	200	150	160	530	250	355	100	18	200	150	450	350	23	110	14	370	42	110	45	12
150/32	45	200	150	160	530	280	400	100	18	200	150	550	450	23	110	14	370	42	110	45	12
150/40	45	200	150	160	530	315	450	100	18	200	150	550	450	23	110	14	370	42	110	45	12
150/50	60	200	150	180	670	375	500	100	24	200	150	550	450	24	140	15	500	55	110	59	16
200/26	45	250	200	180	546	280	400	100	25	200	150	550	450	26	110	15	389	42	110	45	12
200/32	55	250	200	200	670	355	450	100	20	200	150	550	450	24	110	15	500	48	110	52	14
200/40	55	250	200	200	670	355	500	100	20	200	150	550	450	24	110	15	500	48	110	52	14
200/50	75	250	200	240	783	425	545	160	30	300	240	720	600	27	140	23	534	70	140	75	20
250/50	75	300	250	240	783	425	545	160	30	300	240	720	600	27	140	23	534	70	140	75	20
300/40	75	350	300	280	783	500	600	150	40	300	200	800	660	27	140	23	550	70	140	74.5	20