



# APOLLO TRUCK SPARES




## AMERICAN CATALOGUE 2018




NAMES, NUMBERS, SYMBOLS, DESCRIPTIONS LISTED IN THIS DOCUMENT ARE USED FOR REFERENCE PURPOSE ONLY AND IT IS NOT IMPLIED THAT ANY PARTS LISTED IS THE PRODUCT OF THESE MANUFACTURERS.

TC NO:	TF017	FAN
MODEL:	I - N14	
REMARK:	OD=Ø765mm ID=Ø65mm PCD=Ø89mm 6 Holes	
REF. NO:		


TC NO:	THK002	KYSOR CLUTCH
MODEL:	International	
REF. NO:	1077-07899-01	

TC NO:	TF018	FAN
MODEL:	I - N14	
REMARK:	OD=Ø765mm ID=Ø127mm PCD=Ø152mm 6 Holes	
REF. NO:		

TC NO:	THK003	KYSOR CLUTCH
MODEL:	ISX	
REF. NO:	1077-09172-01	

TC NO:	TF021	FAN
MODEL:	Cummins	
REMARK:	OD=Ø605mm ID=Ø25mm PCD=Ø60/50mm 4 Holes	
REF. NO:		

TC NO:	THK014	KYSOR CLUTCH
MODEL:	Navistar	
REF. NO:	1077-07905-02	

TC NO:	TVD039	VISCOUS
MODEL:	Cummins 4900	
REF. NO:		

TC NO:	THK004	KYSOR REPAIR KIT
MODEL:	Kysor Major Kit	
REMARK:	Front Air	
REF. NO:	1033-05435-02	

TC NO:	THK000	KYSOR CLUTCH
MODEL:	Kysor Clutch	
REMARK:	Front Air	
REF. NO:	1090-09000-01	

TC NO:	THK005	KYSOR REPAIR KIT
MODEL:	Kysor Minor Kit	
REMARK:	Lining Kit	
REF. NO:	1033-09340-01	

TC NO:	THK001	KYSOR CLUTCH
MODEL:	Kysor Clutch	
REMARK:	Rear Air	
REF. NO:	1090-09500-01	

TC NO:	THK007	KYSOR BEARING KIT
MODEL:	Kysor Bearing Kit	
REF. NO:	1033-07781-01	

NAMES, NUMBERS, SYMBOLS, DESCRIPTIONS LISTED IN THIS DOCUMENT ARE USED FOR REFERENCE PURPOSE ONLY.

TC NO:	THK008	KYSOR REPAIR KIT
MODEL:	Kysor Major Kit	
REMARK:	Rear Air	
REF. NO:	1033-05435-03	



TC NO:	TGT006	FAN CLUTCH
MODEL:	Navistar Freightliner Kenworth	
REMARK:	Pulley: 146mm	
REF. NO:	TC791016	



TC NO:	THH005	HORTON CLUTCH
MODEL:	Freightliner Argosy Cummins ISX	
REF. NO:	TC999052	



TC NO:	TGT007	FAN CLUTCH
MODEL:	Navistar	
REMARK:	Pulley: 178mm	
REF. NO:	TC791019	



TC NO:	THH014	HORTON REPAIR KIT
MODEL:	Horton	
REMARK:	Advantage Conversion Super Kit	
REF. NO:	TC995568	



TC NO:	TGT008	FAN CLUTCH
MODEL:	Freightliner Kenworth Volvo	
REMARK:	Pulley: 158mm	
REF. NO:	TC791024	



TC NO:	TGT001	GOLDTOP
MODEL:	GoldTop Kit for a 2.56" Pilot	
REF. NO:	T14-256	



TC NO:	TGT009	FAN CLUTCH
MODEL:	Freightliner	
REMARK:	Pulley: 172mm	
REF. NO:	TC791086	



TC NO:	TGT003	9500HP
MODEL:	9.5" Fan Clutch Kit	
REF. NO:	9500HP	



TC NO:	TGT010	FAN CLUTCH
MODEL:	Peterbilt	
REMARK:	Pulley: 178mm	
REF. NO:	TC791100	



TC NO:	TGT005	FAN CLUTCH
MODEL:	Navistar Freightliner Kenworth	
REMARK:	Pulley: 178mm	
REF. NO:	TC991000	

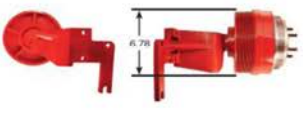


TC NO:	TGT011	FAN CLUTCH
MODEL:	Freightliner	
REMARK:	Pulley: 190mm	
REF. NO:	TC999064	




TC NO:	TGT012	FAN CLUTCH
MODEL:	Freightliner	
REMARK:	Pulley: 172mm	
REF. NO:	TC999088	

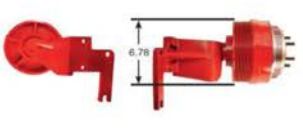
TC NO:	TGT018	FAN CLUTCH
MODEL:	Kenworth Peterbilt	
REMARK:	Pulley: 172mm	
REF. NO:	TC791080	

TC NO:	TGT013	FAN CLUTCH
MODEL:	Peterbilt	
REMARK:	Pulley: 172mm	
REF. NO:	TC999101	

TC NO:	TM227	MOUNTING
MODEL:	Leyland	
REF. NO:		

TC NO:	TGT014	FAN CLUTCH
MODEL:	International	
REMARK:	Pulley: 173mm	
REF. NO:	TC989324	

TC NO:	TM228	MOUNTING
MODEL:	Leyland	
REF. NO:		

TC NO:	TGT015	FAN CLUTCH
MODEL:	Freightliner	
REMARK:	Pulley: 172mm	
REF. NO:	TC989052	

TC NO:	TM230	MOUNTING
MODEL:	Cummins	
REF. NO:		

TC NO:	TGT016	FAN CLUTCH
MODEL:	Freightliner	
REMARK:	Pulley 1: 228mm Pulley 2: 190mm	
REF. NO:	TC799074	

TC NO:	TM231	MOUNTING
MODEL:	Cummins	
REF. NO:		

TC NO:	TGT017	FAN CLUTCH
MODEL:	Freightliner	
REMARK:	Pulley 1: 228mm Pulley 2: 190mm	
REF. NO:	TC999292	

TC NO:	TM232	MOUNTING
MODEL:	International	
REF. NO:		

NAMES, NUMBERS, SYMBOLS, DESCRIPTIONS LISTED IN THIS DOCUMENT ARE USED FOR REFERENCE PURPOSE ONLY.

<b>TC NO:</b> TM233	<b>MOUNTING</b>
<b>MODEL:</b> International	
<b>REF. NO:</b>	

<b>TC NO:</b> TM234	<b>MOUNTING</b>
<b>MODEL:</b> Kenworth	
<b>REF. NO:</b>	

<b>TC NO:</b> TM235	<b>MOUNTING</b>
<b>MODEL:</b> Freightliner	
<b>REF. NO:</b>	

<b>TC NO:</b> TM688	<b>MOUNTING</b>
<b>MODEL:</b> Mac	
<b>REF. NO:</b>	

<b>TC NO:</b> TA009B	<b>BUSH</b>
<b>MODEL:</b> Freightliner International	
<b>REMARK:</b> OD=Ø54mm	
<b>REF. NO:</b> TC6813266316	

<b>TC NO:</b> TA009B/NG	<b>BUSH</b>
<b>MODEL:</b> Freightliner International	
<b>REMARK:</b> OD=Ø54mm	
<b>REF. NO:</b> TC1616749002	

<b>TC NO:</b> TA011B	<b>BUSH</b>
<b>MODEL:</b> Peterbilt International	
<b>REMARK:</b> OD=Ø69mm	
<b>REF. NO:</b> TC0301764	

<b>TC NO:</b> TA012B	<b>BUSH</b>
<b>MODEL:</b> Peterbilt International	
<b>REMARK:</b> OD=Ø54mm	
<b>REF. NO:</b> TC0305108	

<b>TC NO:</b> TA012B/NG	<b>BUSH</b>
<b>MODEL:</b> Peterbilt Kenworth International	
<b>REMARK:</b> OD=Ø66mm	
<b>REF. NO:</b> TC656002	

<b>TC NO:</b> TA013B/NP	<b>BUSH</b>
<b>MODEL:</b> Freightliner International	
<b>REMARK:</b> OD=Ø79mm Normal Pin	
<b>REF. NO:</b> TC1615632000	

<b>TC NO:</b> TA013B/TP	<b>BUSH</b>
<b>MODEL:</b> International Kenworth	
<b>REMARK:</b> Tapper Pin	
<b>REF. NO:</b> TC925031	

<b>TC NO:</b> TA020B	<b>BUSH</b>
<b>MODEL:</b> New Way Suspension bush	
<b>REF. NO:</b>	

NAMES, NUMBERS, SYMBOLS, DESCRIPTIONS LISTED IN THIS DOCUMENT ARE USED FOR REFERENCE PURPOSE ONLY.

TC NO:	TA021B	BUSH
MODEL:	New Way	
REF. NO:		

TC NO:	TA023B	BUSH
MODEL:	New Way	
REF. NO:		

TC NO:	TA35B/F	BUSH
MODEL:	Peterbilt	
REF. NO:		

TC NO:	TA009A	TORQUE ARM
MODEL:	Freightliner International	
REMARK:	L=560mm 1=TA009B	1 1
REF. NO:	TC6813266316	

TC NO:	TA009A/NG	TORQUE ARM
MODEL:	Freightliner International	
REMARK:	L=560mm 1=TA009B/NG	1 1
REF. NO:	TC1616749002	

TC NO:	TA010A	TORQUE ARM
MODEL:	International	
REMARK:	L=460mm 1=TA011B	1 1
REF. NO:	TC588117C91	


TC NO:	TA011A	TORQUE ARM
MODEL:	Peterbilt International	
REMARK:	L=460mm 1=TA011B	1 1
REF. NO:	TC0301764	

TC NO:	TA012A	TORQUE ARM
MODEL:	Peterbilt International	
REMARK:	L=645mm 1=TA012B	1 1
REF. NO:	TC0305108	

TC NO:	TA012A/NG	TORQUE ARM
MODEL:	Peterbilt Kenworth International	
REMARK:	L=645mm 1=TA012B/NG	1 1
REF. NO:	TC656002	

TC NO:	TA012A/C	TORQUE ARM
MODEL:	Peterbilt International	
REMARK:	L=645mm 1=TA009B	1 1
REF. NO:	TC0305108	

TC NO:	TA013A/NP	TORQUE ARM
MODEL:	Freightliner International	
REMARK:	L=620mm 1=TA013B/NP	1 1
REF. NO:	TC1615632000	

TC NO:	TA013A/TP	TORQUE ARM
MODEL:	International Kenworth	
REMARK:	L=620mm 1=TA013B/NP 2=TA013B/TP	1 2
REF. NO:	TC925031	

NAMES, NUMBERS, SYMBOLS, DESCRIPTIONS LISTED IN THIS DOCUMENT ARE USED FOR REFERENCE PURPOSE ONLY.

TC NO:	108391-74AM	EATON CLUTCH
MODEL:	15 1/2"x2" Twin Plate HD2.00 EP1552	
REMARK:		
REF. NO:		

TC NO:	108925-82Z	EATON CLUTCH
MODEL:	15 1/2"x2" DCF (7) [4]	
REMARK:		
REF. NO:		

TC NO:	122003-42A	EATON CLUTCH
MODEL:	ECA with LCIB	
REMARK:		
REF. NO:		

TC NO:	209701-25L	EATON CLUTCH
MODEL:	15 1/2"x2" DCF-CO-VCT	
REMARK:		
REF. NO:		

TC NO:	209701-82	EATON CLUTCH
MODEL:	15 1/2"x2" DCF-CO	
REMARK:		
REF. NO:		

NAMES, NUMBERS, SYMBOLS, DESCRIPTIONS LISTED IN THIS DOCUMENT ARE USED FOR REFERENCE PURPOSE ONLY.