



OUT THE BOX SUPPLIES (PTY) LTD

ISN'T IT TIME YOU THOUGHT...OUT THE BOX ?

Suppliers of machinery and equipment to the following industries :
Agriculture / Engineering / Manufacturing / Material Handling / Mining

Out the Box Supplies (Pty) Ltd, was established as a supplier of machinery and associated equipment, to the Engineering and Manufacturing sectors.

We take pride in knowing, that we only supply items of the highest quality, and strive to live up to our customers expectations and needs.

With over 12 years of experience in the manufacturing sector, and numerous industry related contacts and support, we have all the necessary requirements to ensure that we can offer our customers a complete solution.

At present we are able to offer the following products and services:

1. Bevelling machines and Chamfering Services

1. Various models.
2. Flat plate weld prep.
3. Tubing and pipe weld prep.
4. Spares & Consumables.
5. Service and repairs.



Onsite chamfering service available:

Through our partners, we are also able to provide onsite chamfering services. To assist companies under financial constraints and who aren't able to purchase the machinery outright. Charged per metre, according to drawing specifications and will be completed by an industry related professional.

2. Plasma machines, service and associated equipment

1. Machines customizable.
2. Finance available.
3. Leasing and rental options.
4. Hypertherm consumables.
5. Backup support and repairs.



3. Tools, equipment and Accessories

3.1. Power tools and equipment.



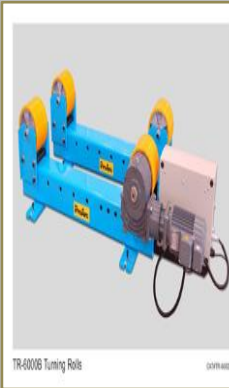
Bandsaws



Drill presses



Power Tools



TR-6006 Tuning Rolls

00784888

Plate Rolls



Slat cleaners



D.I.Y. Automatic Welding System (R-Type)

00784888

Welding Sys.

3.2. Hand tools and equipment.



Allan keys



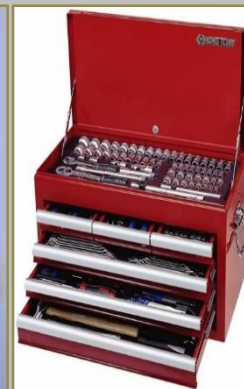
Bottle jacks



Pallet jacks



Spanner sets



Tool trolleys



Various other

3.3. Accessories.



Bar pullers



Chucks/Jaws



Drill bits



Laser/Plasma.



Rotary tables

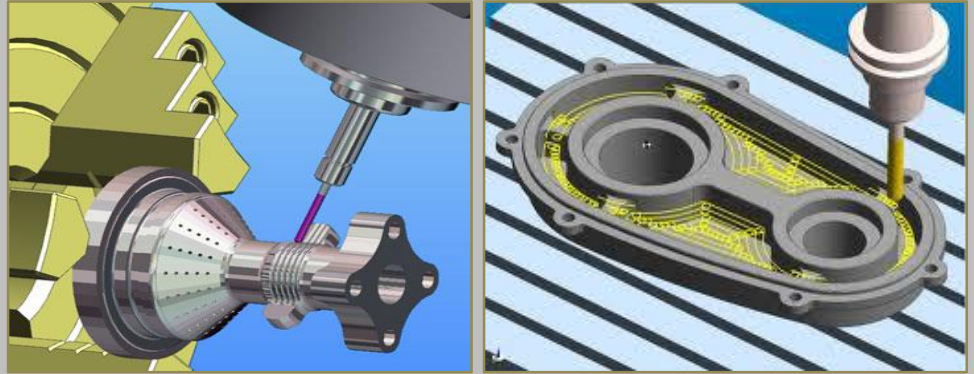


Welding acc.

4. CAD/CAM Software

Applications:

1. Metal working.
2. Production engineering.
3. Sheet metal.
4. Stone & Woodworking.
5. Latest technology.



Advantages :

Backup support and training.

Aiding the Design and Manufacturing Process.

Providing Solutions for Tooling and Production Engineering.

Although we offer some of the above, in conjunction with our primary business dealings, we still believe in maintaining good relationships with anybody that deals with the - Out the Box brand. By aligning ourselves with our partner's, we have ensured that our customer's will always have the required backup service, from an industry related professional.

Call us today, to see how we can help you start thinking....

Out the Box !



Situated on the East Rand

Contact Details :

Mobile : J.Cox – 074 589 7496

P.O.Box 13736

Witfield

1467

Fax : 086 766 3974

Mail : info@otbsupplies.co.za

Website : www.otbsupplies.co.za