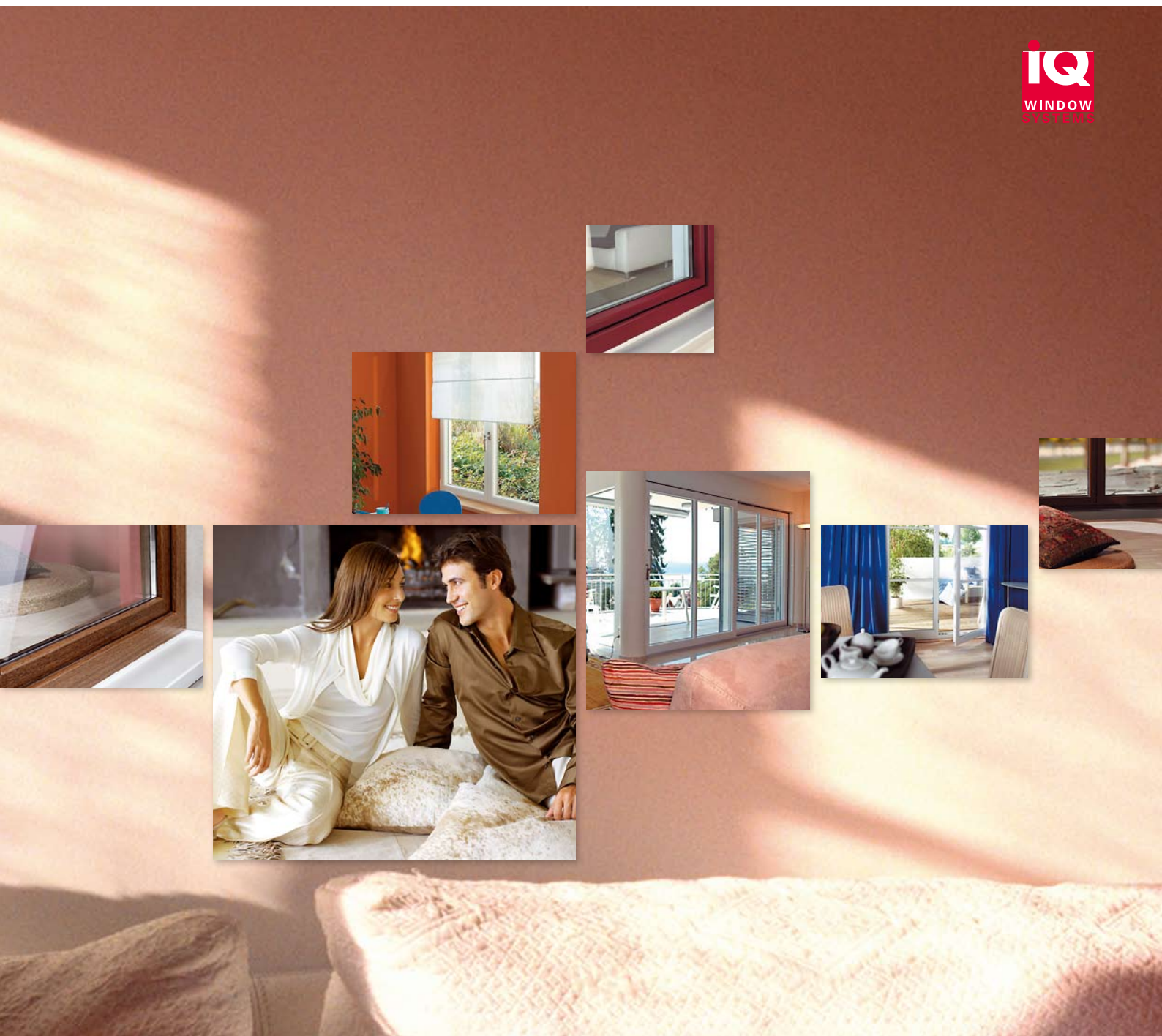


Living Space for More Living Quality



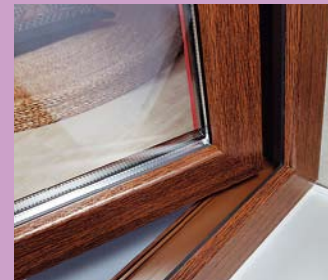
Comfort  
Aesthetics  
Innovation  
Economy  
Ecology

my house  
my windows



# Form and Function

## GEALAN profile section systems



Plastic windows aren't just plastic windows. The differences in the way the profile sections are put together have significant effects on the technical properties of the window. Windows made of the latest generation of GEALAN profile section systems not only set fresh accents from an optical point of view, the geometries of the flawless profile sections have also been perfected right down to the last detail to satisfy all technical demands. From thermal and sound insulation to break-in protection and ventilation, windows made from GEALAN plastic profile sections are made in line with state-of-the-art technology.

### Resistant

Windows made of plastic profile sections are easy to clean and maintain. Resistant to most climatic and environmental influences, they have a long service life.

### Flexible

Modern window technology can be realised with due regard for different tastes and architectures – not only in white but also in acrylcolor or with a décor or wood-grain laminate.





## Individual

The choice of the profile geometry, opening mechanism and window pane subdivision influences the individual character. Unusual window forms can also be created using GEALAN profile sections.

## Convenient

Windows made from GEALAN multi-chamber profile sections ensure that the heat stays inside and the noise outside. They provide security and comfort and exude an unmistakable living atmosphere.



# Security

## Complete break-in protection system

Protection and security are two fundamental human requirements. If you want to feel secure within your own four walls, you can't leave anything up to chance. You should go by the motto "Trust may be a good thing, but control is better" and insist on a window construction that inhibits break-ins because fifty percent of all burglars get in through the window, not the door. They simply lever out the window in a matter of seconds, but you can prevent this by choosing windows that inhibit break-ins. With windows made from GEALAN profile sections, the installation depth and enhanced material strength are convincing security arguments, along with



additional barriers and secure screw fittings in the window frames and casements. To be completely on the safe side, we put our windows to the acid test. An authorized test institute has certified that our windows offer security in regard to their construction and various opening mechanisms in all intended areas of application. You can be sure of that.



# Thermal Insulation

## How to save hard cash

Windows made from GEALAN plastic profile sections are the ideal energy savers because even the natural insulating properties of PVC guarantee outstanding thermal insulation. These qualities are enhanced even more by the extreme installation depth of up to 74 mm and the multi-chamber profile section construction with up to six chambers. In this way, the heat stays inside and the cold outside. With windows made from GEALAN profile sections, you save a lot of money and considerably improve living comfort while making a significant contribution to environmental conservation at the same time.



YOU CAN CALCULATE YOUR PERSONAL SAVINGS POTENTIAL QUITE SIMPLY. YOU WILL FIND USEFUL INFORMATION AND TOOLS TO HELP YOU IN THE INTERNET.

[www.gealan.de/energiesparrechner](http://www.gealan.de/energiesparrechner)

# Noise Protection

For a better quality of life

Too much noise damages your health. Sleeping disturbances, loss of concentration and tension are only a few of the negative effects noise has on the human body. That's why noise protection and sound insulation have become an important health aspect. Windows made from GEALAN plastic profile sections with multi-chamber technology provide effective protection against excessive noise. With the corresponding glazing, they have good sound insulation properties. In this way, windows made from GEALAN plastic profile sections considerably improve noise protection and sound insulation, thus enhancing your quality of life.



# No Compromises

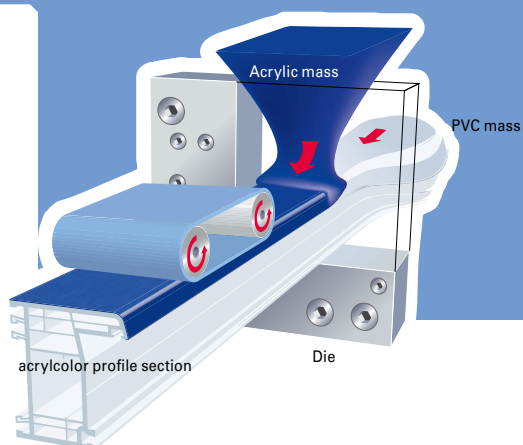
## Aesthetic demands and innovative technology

GEALAN profile sections for windows and doors are made using the extrusion moulding method. The ductility of the base material enables a wide variety of different shapes in the profile geometry, thus allowing us to satisfy many different demands in regard to the optical appearance. And where colour is concerned, GEALAN profile sections leave nothing to be desired either. No matter whether they are fitted in modern buildings or old ones, as an architectural design feature, GEALAN profile sections influence the aesthetics of the façade to a very great extent. And while they satisfy all optical demands, they also provide all important technical functions, such as noise protection, thermal insulation and ventilation.





TRIED AND TESTED QUALITY: GEALAN HAS BEEN PRODUCING COLOURED ACRYLCOLOR PROFILE SECTIONS USING THE COEXTRUSION METHOD FOR OVER 25 YEARS. THIS INNOVATIVE TECHNOLOGY DIFFERS QUITE CONSIDERABLY FROM CONVENTIONAL COLOURING PROCESSES.

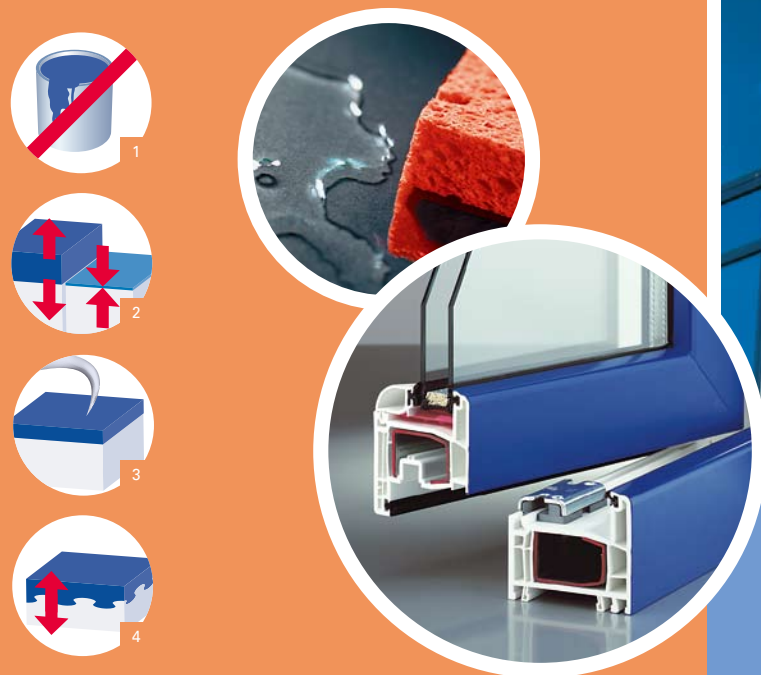


# The Fascination of Colour

## Colour resistance

Coloured window frames accentuate the design of the façade. In this way, residential houses become attractive eye-catchers with their own unmistakable "calling card". Not even the most unusual designs or typical colour nuances of a region pose a problem. When our windows show their true colours, variety is the order of the day with shades to suit every environment. All tones are covered, from elegant white to fine slate grey. It also goes without saying that they are non-fading and RAL-tested – because quality has top priority for GEALAN with coloured plastic windows too. That is why we manufacture our acrylcolor profile sections using a special colouring process in which the white PVC base element and the coloured acrylic glass are bonded together inseparably.

The outer, coloured acrylic glass coating is scratchproof and highly resistant to weather influences, such as sunlight, wind, rain, cold and temperature fluctuations. The silk-matt, smooth and porous surface is non-sensitive to the accumulation of dust and dirt and, because there is no flaking or chipping, there is no need for bothersome re-painting. acrylcolor windows are virtually maintenance-free and extremely easy-care. They repel dirt and can be cleaned with standard cleaning agents. The unsurpassed colourfastness of the acrylcolor profiles remains a fascinating feature for the entire service life of the windows.



### acrylcolor is ...

- |   |   |
|---|---|
| 1 | not a varnish coating or a laminate                           |
| 2 | approx. 0.5 mm thick, which is more than all varnish coatings |
| 3 | scratchproof and non-sensitive                                |
| 4 | inseparably bonded with the profile section                   |
| 5 | protected against flaking and chipping                        |
| 6 | easy-care and low-maintenance                                 |

# acrylcolor

# Elegant Embellishment

## Wood décors

When designing façades, there is a good alternative for those people who value a natural appearance without dispensing with the advantages of modern window technology at the same time: plastic windows with a wood décor look. They are equally well suited as classical style features in the renovation of old buildings, as well as design elements which blend in with the landscape. Discerning architecture is given a special aesthetic touch with wood décor windows. On request, wood décor windows from GEALAN can be supplied with a double-sided laminate. Brown-coloured profile sections are used here for optical reasons, thus producing a natural look when the windows are open too, and further emphasizing the decorative effect of wood.

Modern window technology is implemented in line with the house type and your own personal ideas. Your GEALAN partner would be pleased to tell you all about the extensive décor programme we offer.





# Living Climate

## Comfortable and cosy

A regulated exchange of air is essential, particularly in moist rooms such as kitchens and bathrooms. Too much air humidity impairs the room climate and promotes the growth of mould fungus. To achieve high thermal insulation values, plastic windows were designed to close tighter and tighter over the years, but these extremely tight-fitting windows precluded constant gentle ventilation. You were faced with the choice between mould and draughts – until GEALAN came up with the solution in GECCO.

## GECCO

### The little flap with an IQ

The regulated exchange of air between the outside and the inside is the prerequisite for a pleasant room climate and enhanced living comfort. The systematic regulation of room humidity and temperature ensures that you are not bothered by mould fungus, which often occurs when windows fit too tightly. That is why the automatic ventilation system GECCO (GEALAN Climate Control) is available on request for all GEALAN windows. The little flap with the great effect turns regular windows into ventilated windows and initiates the regular intake of air for your own, personal “feel-good climate.”

#### The advantages of GECCO:

- Optimum exchange of air at normal air pressure
- Constant gentle ventilation (even at night and when you are on holiday)
- No draughts, even in high winds
- No improper operation possible
- Works automatically
- High level of noise protection
- Good thermal insulation
- Good price



Flap open



Flap closed





Despite highly developed automatic ventilation systems, regular airing is still important. Based on the system of a hygrometer, the innovative **"GEALAN Air Watch"** airing indicator shows the occupants of a house when the air inside a room has been used up and a window should be opened.

# Variety

## In colours, shapes and technology

GEALAN profile section systems provide house and apartment owners with unlimited creativity in regard to design. In addition to convincing functionality, they have the great advantage that virtually every window shape can be constructed. The renovation and modernisation of old buildings can be realised without any prob-

lems. Even the strict regulations that apply to buildings of special historical or architectural interest are no problem because plastic windows can be manufactured in virtually all shapes, sizes and colours and can be opened and closed by any desired means.



# Window Technology

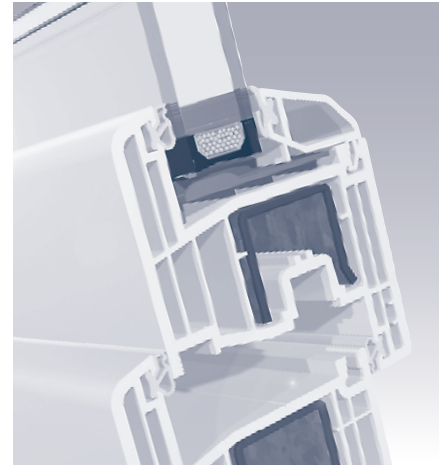
Innovative technology – quality without compromise

Windows and doors dominate the architecture of a building to quite a considerable extent. They interrupt the façade from an optical point of view, thus setting individual accents. The functions that a window has to fulfil are many and varied; they have to let in light and fresh air, provide a view in and out, keep out cold and noise and

darken interiors – to name only a few. Plastic profile section systems from GEALAN form the basis of a comprehensive product range of windows, doors and roller shutters. No matter whether you opt for a stop sealing or middle sealing system with offset or semi-sunken frames, GEALAN profile systems satisfy all demands.

## Multi-Chamber Systems

If you decide in favour of plastic windows made from GEALAN profile sections, you are making the right decision. Depending on the technical requirements of the building, you can choose from the universal stop sealing system S 3000 with an installation depth of 62 mm for all window construction applications. Many different combinations of surround frames and casements are available as three or five-chamber solutions. The middle sealing system S 7000 IQ with five chambers and an installation depth of 74 mm has outstanding thermal insulation properties. The stop sealing system S 8000 IQ, which is also installed at a depth of 74 mm, comes with four or six chambers. It not only satisfies all of the technical demands made on a modern window profile section, it can also be put to universal use and is timeless beautiful.



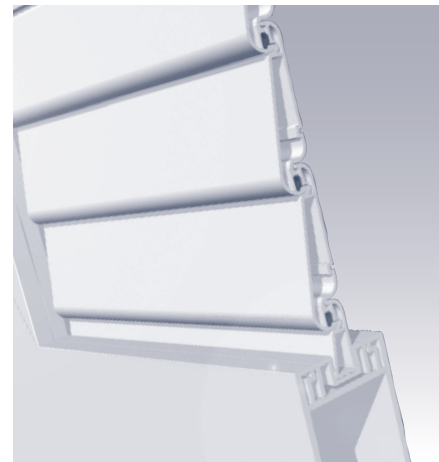
## Tested Quality

Producing consistently high quality is not only a matter of having many years of experience in extrusion technology. At GEALAN, quality begins with the extensive inspection of incoming raw materials and continues through various test processes conducted by qualified staff members during and after the extrusion process. The high quality of GEALAN profile sections is also confirmed by the material and system tests conducted regularly by acknowledged test institutes. And it goes without saying that GEALAN profile sections are subjected to RAL quality monitoring. The system tests also confirm the windows' water tightness under heavy rain, good heat insulation properties and sound insulation. Internationally approved, neutral test institutes also confirm the high quality of GEALAN products – because GEALAN is at home all over Europe.



## Range of Accessories

As one of the leading manufacturers of plastic profile sections for windows and doors, GEALAN offers a comprehensive range of supplementary products in top quality. No matter whether these are connected with the important topic of ventilation in the window area and the enhanced room climate this produces, or with generous, barrier-free construction, light and sound insulation, sun and insect protection or energy savings through modern, heat insulation technology – GEALAN provides more living comfort with its innovative product programme for windows, doors and roller shutters. Your GEALAN partner will be pleased to provide you with detailed information and advice on all products.



# GEALAN Eco Agreement

## Commitment to recycling

Even before the recycling and waste law came into effect in Germany, GEALAN was offering its customers recycling in the form of a "GEALAN Eco Agreement" in which the profile section manufacturers and specialist window businesses agree to reprocess old plastic windows along with the profile section residue that accumulates when making windows. The goal is to introduce the materials to a closed PVC recycling system with a complete ban on disposal

because the high-grade product PVC – a thermoplastic material made from the natural raw materials crude oil or natural gas with table salt – is far too valuable to end up in a dump or waste incinerator. Because it is 100% recyclable, it is ideally suited for reprocessing. The PVC contained in old windows can also be granulated and reprocessed, thus making PVC one of the most recyclable materials around.

Our commitments:



**EMAS**  
GEPRÜFTES  
UMWELTMANAGEMENT  
DE-S-106-00003  
DE-S-154-00004



**B.A.U.M.**



ARBEITSGEMEINSCHAFT  
PVC und UMWELT e.V.



The pieces of profile section that accumulate during the manufacturing process of plastic windows are collected along with the PVC from old windows (photo left). New profile sections with a recycled core are made from them with the help of the coextrusion process (photo right).



Your GEALAN partner would be pleased to advise you: