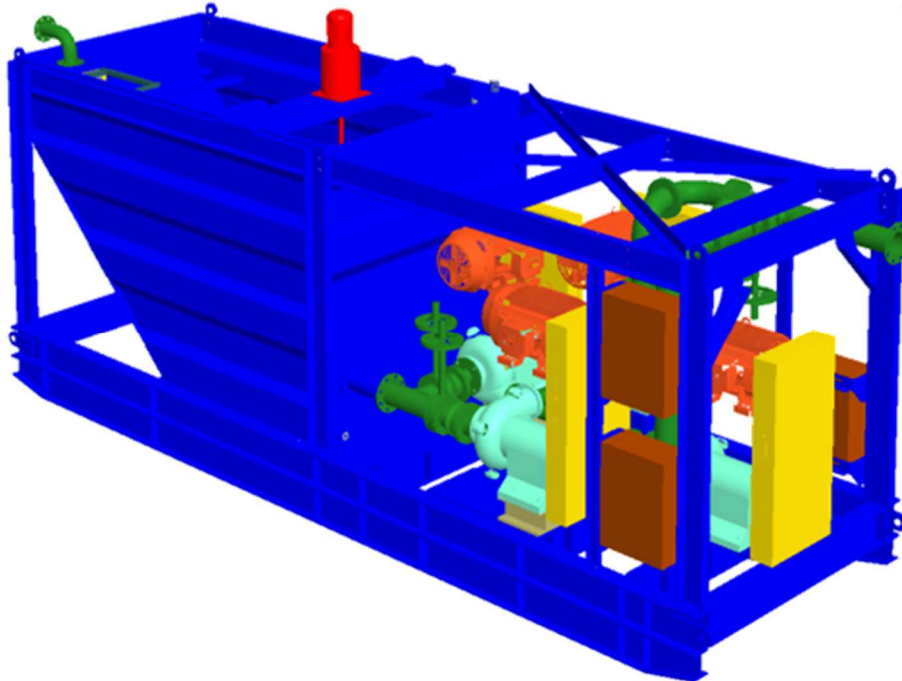


Modular De-Watering System



- *Stand-alone system*
- *Mobile solution to remove water from mines, pits, etc.*
- *Various sizes*
- *Stand-by and Duty Pumps - Fully redundant*

Another product by

MIKDesigns

Mechanical Engineers & Project Managers

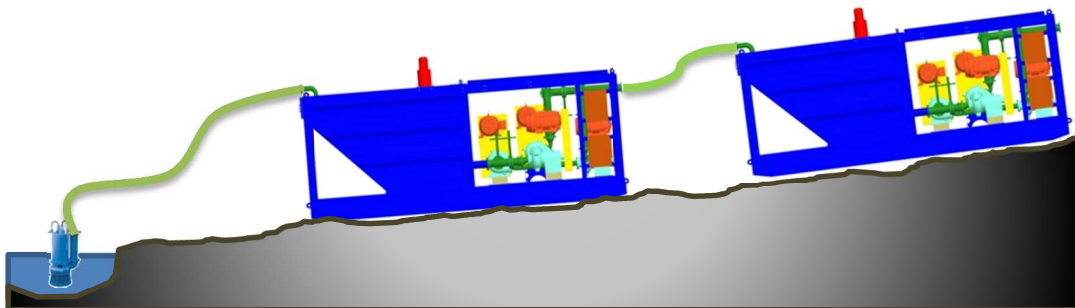
Mobility

- Units can easily be positioned or removed with standard mine vehicles.
- Units can be transported standard road freight.



Modular Flexibility

- Units designed to be placed in series to achieve greater heads as mining progresses.
- Spacing between units can be adjusted to achieve optimum pump performance.
- Agitator provided to keep solids in suspension during pump start-up.



Reliability

- 100% redundancy on both mechanical and electrical systems.
- Components can be interchanged between skids.
- Robust design to withstand harsh mining conditions.
- Off the shelf components offer faster turn-around times on repairs.

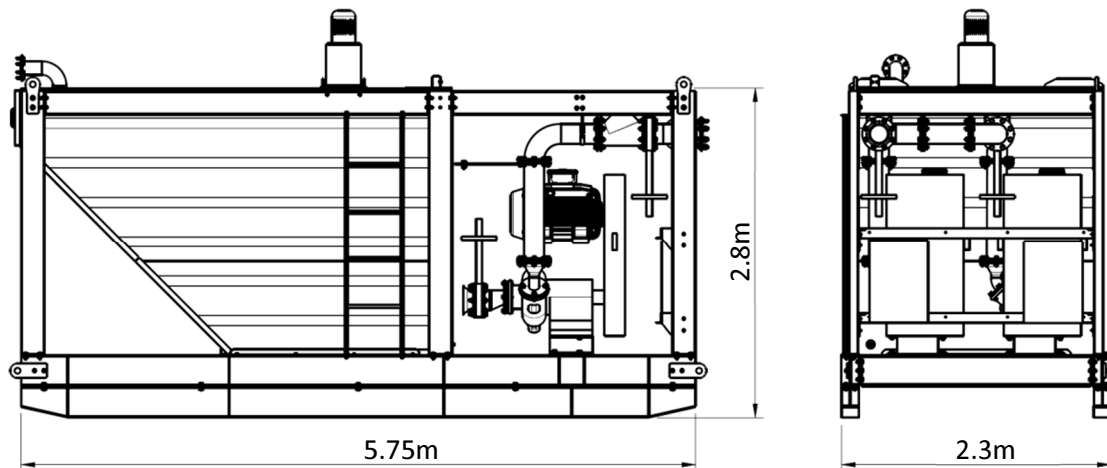
Technical Specifications

	Single Stage Unit	Double Stage Unit
Pumps:	1 off Warman 4/3 (duty) 1 off Warman 4/3 (stand-by)	2 off Warman 4/3 (duty) 2 off Warman 4/3 (stand-by)
Motors:	WEG - 75kW	WEG - 75kW
Head:	70m	140m
Flow:	42 litres / second	42 litres / second
Frame:	Structural Grade S275JR	Structural Grade S275JR
Sump Volume:	12m ³	12m ³
Inlet Strainer Box:	Standard with 6mm apertures	Standard with 6mm apertures
Inlet Connection:	100NB or 150NB	100NB or 150NB
Pressure Rating on Pipes, Valves, Fittings	1000kPa	1000kPa & 1600kPa
Level Sensor:	2 level Conductive Type	2 level Conductive Type
Sump Agitator:	Optional	Optional
Approximate Mass:	6500kg	9500kg

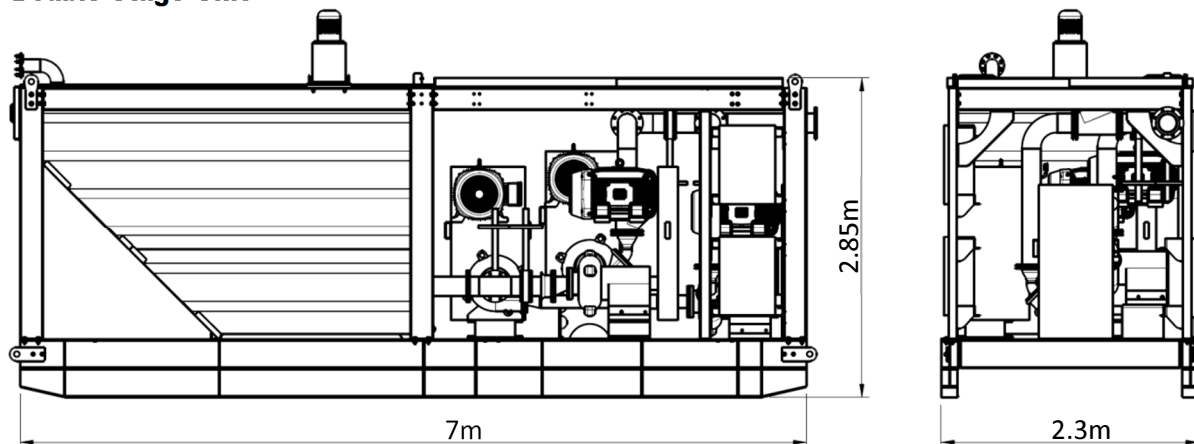
* Custom units can be designed to client specifications

Dimensions

Single Stage Unit

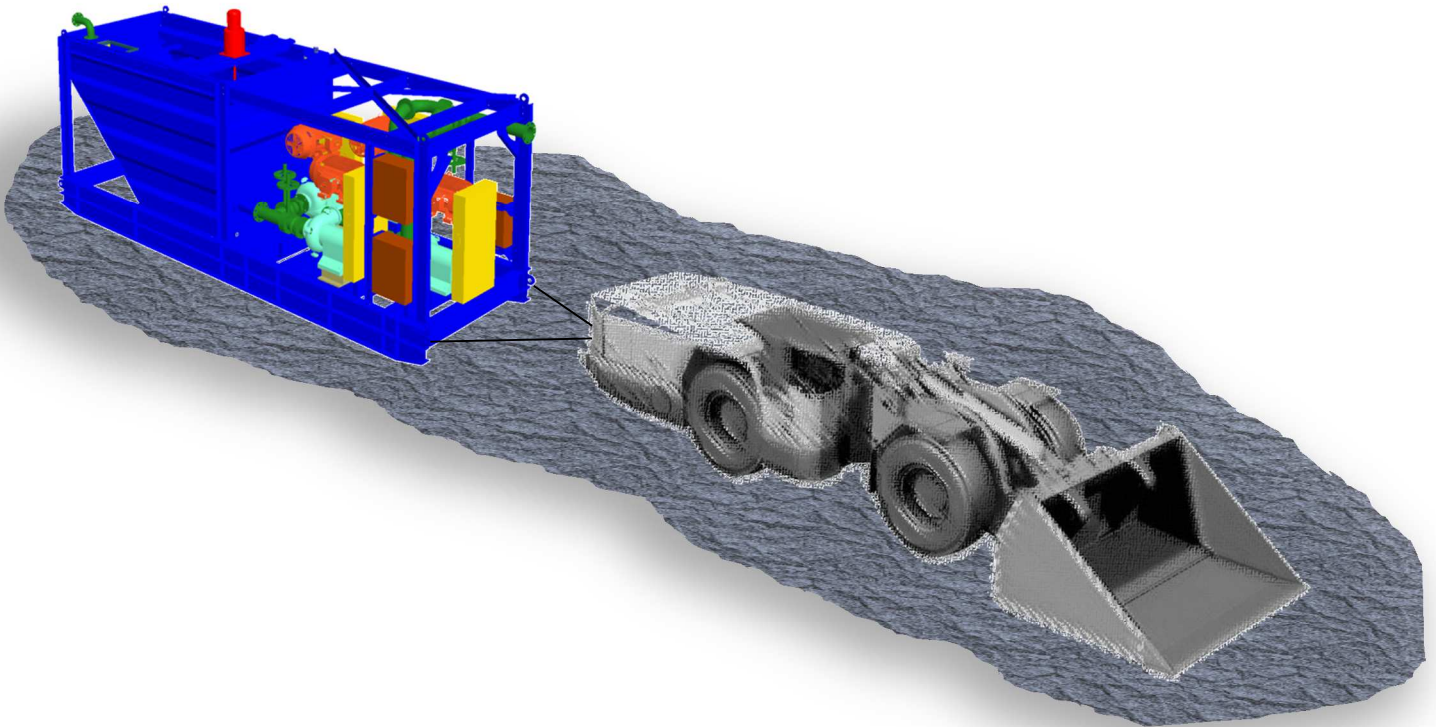


Double Stage Unit



Additional Services Offered

- Transportation can be arranged.
- MKDesigns can export these units.
- SADC Certificates can be offered on request.



Contact Details

Physical Address: 26 Ketjen Street, Pretoria West

Postal Address: P.O. Box 92540, Mooikloof, 0059

Tel: +27 (0) 12 327 4146

Cell: +27 (0) 83 413 1755

E-mail: martin@mkdesigns.co.za

Website: www.mkdesigns.co.za