

## CONTENTS

		<b>PAGES</b>
INTRODUCTION		3
HOW TO ORDER		4
 <b>INDEX</b>		
<b>SERIES</b>	<b>DESCRIPTION</b>	
S1	FERRULE 1 – WIRE SKIVE HOSE	5
S2	FERRULE 2 – WIRE SKIVE HOSE	5
S737	FERRULE	5
SN1	FERRULE 1 – WIRE NON – SKIVE HOSE	6
SN2	FERRULE 2 – WIRE NON – SKIVE HOSE	6
CPS	FERRULE – 6 WIRE	6
MS	FERRULE – MULTISPIRAL HOSE	7
HMS	FERRULE – MULTISPIRAL HOSE (R9-R9R)	7
ST	FERRULE – TEFLON	7
S001	BSP FEMALE STRAIGHT 30° SEAT	8
S002	BSP FEMALE FLAT SEAT	8
S003	SAE FEMALE STRAIGHT 45° SEAT	9
S005	JIC FEMALE STRAIGHT 37° SEAT	9
S009	SAE FLARE MALE 45° SEAT	10
S012	BSP MALE	10
S015	BSPT MALE 30° CONE SEAT	11
S016	NPT MALE 30° CONE SEAT	11
S018	JIC MALE FLARE 37° CONE SEAT	12
S019	JIC BULKHEAD 37° CONE SEAT	12
S020	UNF O’RING BOSS MALE	13
S023	SAE STRAIGHT FLANGE J518 3000 PSI CODE 61	13
S023	SAE STRAIGHT FLANGE J518 6000 PSI CODE 62	14
S026	BSP FEMALE INVERTED CONE 30° SEAT ANGLE	14
S027	TOYOTA FORKLIFT INSERT	15
S051	90° BSP FEMALE SWEPT ELBOW 30° SEAT	15
S053	90° SAE SWEPT ELBOW 45° CONE	16
S055	90° JIC SWEPT ELBOW 37° SEAT	16
S059	90° SAE FLANGE J518 3000 PSI CODE 61	17
S059	90° SAE FLANGE J518 6000 PSI CODE 62	17
S060	45° BSP FEMALE ELBOW 30° SEAT	18
S062	22.5° SAE FLANGE J518 3000 PSI CODE 61	18
S062	22.5° SAE FLANGE J518 6000 PSI CODE 62	19
S063	30° SAE FLANGE J518 3000 PSI CODE 61	19
S063	30° SAE FLANGE J518 6000 PSI CODE 62	20
S064	45° JIC FEMALE SWEPT ELBOW 37° SEAT	20
S066	60° SAE FLANGE J518 3000 PSI CODE 61	21
S066	60° SAE FLANGE J518 6000 PSI CODE 62	21
S067	67.5° SAE FLANGE J518 3000 PSI CODE 61	22
S067	67.5° SAE FLANGE J518 6000 PSI CODE 62	22

<b>SERIES</b>	<b>DESCRIPTION</b>	<b>PAGES</b>
S068	45° SAE FLANGE J518 3000 PSI CODE 61	23
S068	45° SAE FLANGE J518 6000 PSI CODE 62	23
S096	LIFE SAVER	24
S312	NIKKO MALE INSERT	24
S526	90° BSP FEMALE INVERTED ELBOW 30° SEAT	25
S626	45° BSP FEMALE INVERTED ELBOW 30° SEAT	25
S702	ORFS FEMALE	26
S712	HITACHI FEMALE	26
S752	90° HITACHI FEMALE FLAT FACE	27
S762	45° HITACHI FEMALE FLAT FACE	27
S801	METRIC FEMALE 60° SEAT	28
S802	METRIC FEMALE FLAT SEAT	28
S803	METRIC FEMALE LIGHT DUTY 24° SEAT	29
S804	METRIC FEMALE HEAVY DUTY 24° SEAT	29
S805	METRIC STRAIGHT FEMALE FRENCH TYPE	30
S806	METRIC STRAIGHT FEMALE (DKO) O'RING TYPE	30
S810	METRIC MALE FLAT SEAT TYPE	31
S811	METRIC MALE 60° CONE SEAT	31
S813	METRIC MALE 24° SEAT LIGHT DUTY	32
S814	METRIC MALE 24° SEAT HEAVY DUTY	32
S815	METRIC MALE 24° FRENCH TYPE	33
S818	METRIC BULKHEAD MALE 45° CONE SEAT	33
S819	METRIC BULKHEAD	34
S851	90° METRIC SWEPT ELBOW 60° SEAT	34
S852	90° METRIC FEMALE FLAT SEAT	35
S853	90° METRIC SWEPT ELBOW LIGHT DUTY 24° SEAT	35
S854	90° METRIC SWEPT ELBOW HEAVY DUTY 24° SEAT	36
S855	90° METRIC SWEPT ELBOW FRENCH TYPE 24° SEAT	36
S856	90° METRIC O'RING SWEPT ELBOW (DKO) TYPE	37
S861	45° METRIC SWEPT ELBOW 60° SEAT	37
S863	45° METRIC SWEPT ELBOW LIGHT DUTY 24° SEAT	38
S864	45° METRIC SWEPT ELBOW HEAVY DUTY 24° SEAT	38
S865	45° METRIC SWEPT ELBOW FRENCH TYPE 24° SEAT	39
S866	45° METRIC O'RING SWEPT ELBOW (DKO) TYPE	39
S870	JAPANESE METRIC FEMALE 30° SEAT	40
S875	90° JAPANESE METRIC FEMALE ELBOW 30° SEAT	40
S876	45° JAPANESE METRIC FEMALE ELBOW 30° SEAT	41
S880	METRIC MALE WITH O'RING GROOVE	41
S893	METRIC STANDPIPE STRAIGHT	42
ADAB	BSPT x BSP ADAPTORS	42
ADBB	BSP x BSP ADAPTORS	43
ADCA	BSP FEMALE x BSPT ADAPTORS	43
ADCB	BSP FEMALE x BSP ADAPTORS	44
ADGA	JIC x BSPT ADAPTORS	44
ADGL	JIC x NPT ADAPTORS	44
ADGN	JIC x UN 'O' RING BOSS ADAPTORS	45
ADNB	'O' RING BOSS x BSP ADAPTORS	45

## **INTRODUCTION**

The company is headed by a team of strong senior engineers and trained professionals, who have carried the company to the forefront in this field of hydraulic fittings and coupling technology.

The personal in-depth knowledge and experience, of its founder is what that lead to the development of this company in a big way. Over the years this small company has developed to be a key player in this industry and its service has become widely known. Our experience and dedication to this hydraulics industry has leaded us to concentrate our efforts on precision, the most important aspect for quality spares.

We constantly strive to be innovative in this field of hydraulic systems which has resulted in us remaining strong and thus becoming a vital link to many industries. We always commit to any job and ensure our clients quality, timely delivery and hassle free support. We strongly believe in working alongside our clients.

### **-MATERIAL**

All couplings are furnished as standard, from selected high quality steel and finished with a bright zinc plating passivation. Workmanship at closest tolerances conforming specifications, permits easy assembling operations.

### **-PART NUMBERS**

Reference given on the following pages, denote always ferrules or inserts separately. Standard or multispiral inserts have a distinct part number as stated at the description.

### **-JUMP SIZES**

Only items listed in this publication or priced in the current price-list are normally carried in stock.

Special sizes other than those listed on catalogue, can be requested specifying all necessary details and provided suitable manufacturing quantities.

## **LEGEND**

The legends following the part numbers indicate that:

**HD** - Heavy Duty Nut Fittings

## HOW TO ORDER

The insert and ferrules are supplied separately. Normally the inserts are common to all types of hoses, only the ferrules are required to match the hose to be used.

### EXAMPLE 1

1" BSP Straight Female

To fit on 1" nominal Bore, 1-wire SAE 100R1AT Non Skive Hose

Ferrule           SN1 – 16

Insert            S001 – 16 – 16

### EXAMPLE 2

If the hose for above is 1" Nominal Bore, 2-wire SAE 100R1T Skive Hose

Ferrule           S2 – 16

Insert            S001 – 16 – 16

### EXAMPLE 3

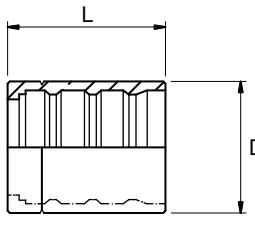
If the hose for above is 1" nominal Bore, Multi-Spiral SAE100R9 HOSE

Ferrule           MS – 16

Insert            S001 – 16 – 16

**S1**  
STANDARD

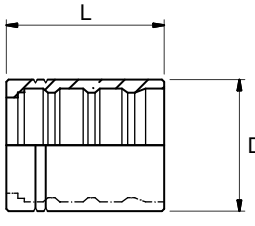
**FERRULE 1 - WIRE SKIVE HOSE**



PART Ref. Size	Hose	Thread	Dimensions mm																
			D	L															
<b>S1</b>																			
- 04	1/4"		19	29															
- 06	3/8"		24	31															
- 08	1/2"		26	34															
- 10	5/8"		30	40															
- 12	3/4"		34	43															
- 16	1"		44	52															

**S2**  
STANDARD

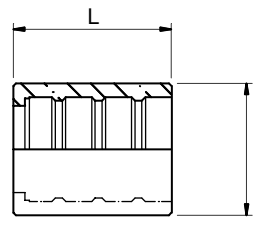
**FERRULE 2 - WIRE SKIVE HOSE**



PART Ref. Size	Hose	Thread	Dimensions mm																
			D	L															
<b>S2</b>																			
- 04	1/4"		21	29															
- 06	3/8"		26	31															
- 08	1/2"		28	34															
- 10	5/8"		32	40															
- 12	3/4"		36	43															
- 16	1"		44	52															
- 20	1.1/4"		54	62															
- 24	1.1/2"		62	70															
- 32	2"		75	80															

**S737**  
STANDARD

**FERRULES**



PART Ref. Size	Hose	Thread	Dimensions mm																
			D	L															
<b>S737</b>																			
- 04	1/4"		17	29															
- 06	3/8"		21	31															
- 08	1/2"		26	34															

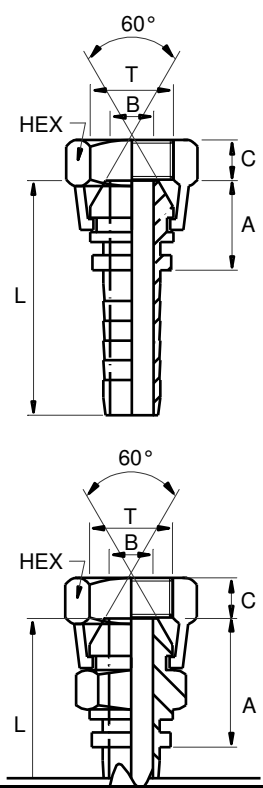




**S001**  
STANDARD

**BSP FEMALE STRAIGHT 30° SEAT**

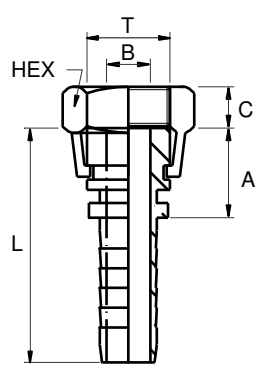
PART Ref. Size	Hose	Thread	Dimensions mm						
			L	B	A	C	HEX		
<b>S001</b>			L	B	A	C	HEX		
- 02 - 04	1/4"	1/8" - 28	47	4	21	4	16		
- 04 - 04	1/4"	1/4" - 19	47	4	21	4	19		
- 04 - 06	3/8"	1/4" - 19	50	6.5	22	4	19		
- 06 - 04	1/4"	3/8" - 19	51	4	25	5	22		
- 06 - 06	3/8"	3/8" - 19	51	6.5	23	5	22		
- 06 - 08	1/2"	3/8" - 19	57	9.5	23	5	22		
- 08 - 08	1/2"	1/2" - 14	57	9.5	24	6	26		
- 08 - 12	3/4"	1/2" - 14	77	14.5	24	6	26		
- 10 - 08	1/2"	5/8" - 14	58	9.5	25	7	28		
- 10 - 10	5/8"	5/8" - 14	67	12	25	7	28		
- 12 - 08	1/2"	3/4" - 14	62	9.5	28	10	32		
- 12 - 10	5/8"	3/4" - 14	68	12	28	10	32		
- 12 - 12	3/4"	3/4" - 14	79	14.5	28	10	32		
- 12 - 16	1"	3/4" - 14	90	20	28	10	32		
- 16 - 12	3/4"	1" - 11	82	14.5	29	10	38		
- 16 - 16	1"	1" - 11	92	20	29	10	38		
- 20 - 16	1"	1.1/4" - 11	94	20	32	10	50		
- 20 - 20	1.1/4"	1.1/4" - 11	104	26	34	10	50		
- 24 - 20	1.1/4"	1.1/2" - 11	104	26	34	13	56		
- 24 - 24	1.1/2"	1.1/2" - 11	112	32	34	13	56		
- 32 - 24	1.1/2"	2" - 11	124	32	40	13	70		
- 32 - 32	2"	2" - 11	129	44	40	13	70		
<b>S001</b>									
- 12 - 12HD	3/4"	3/4" - 14	86	14.5	38	10	35		
- 16 - 16HD	1"	1" - 11	100	20	39	10	41		
- 24 - 24HD	1.1/2"	1.1/2" - 11	122	32	44	13	59		



**S002**  
STANDARD

**BSP FEMALE FLAT SEAT**

PART Ref. Size	Hose	Thread	Dimensions mm						
			L	B	A	C	HEX		
<b>S002</b>			L	B	A	C	HEX		
- 04 - 04	1/4"	1/4" - 19	44	4	18	7	19		
- 06 - 06	3/8"	3/8" - 19	48	6.5	20	8	22		
- 08 - 06	3/8"	1/2" - 14	48	6.5	21	9	26		
- 08 - 08	1/2"	1/2" - 14	54	9.5	21	9	26		
- 10 - 10	5/8"	5/8" - 14	63	12	22	11	28		
- 12 - 08	1/2"	3/4" - 14	60	9.5	27	12	32		
- 12 - 10	5/8"	3/4" - 14	66	12	25	12	32		
- 12 - 12	3/4"	3/4" - 14	78	14.5	26	12	32		
- 16 - 16	1"	1" - 11	90	20	28	11	28		

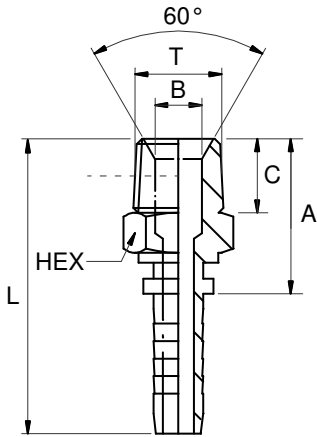






**S015**  
STANDARD

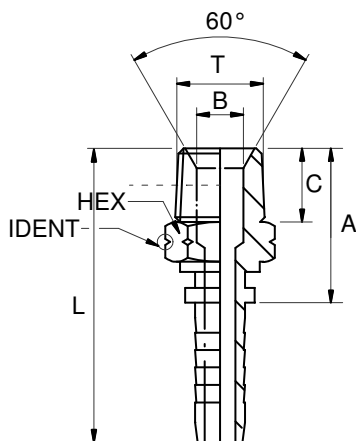
**BSPT MALE 30° CONE SEAT**



PART Ref. Size	Hose	Thread	Dimensions mm					
			L	B	A	C	HEX	
<b>S015</b>								
- 02 - 04	1/4"	1/8" - 28	49	4	23	10	12.7	
- 02 - 06	3/8"	1/8" - 28	52	4	26	10	16	
- 04 - 04	1/4"	1/4" - 19	52	5	26	14	16	
- 04 - 05	5/16"	1/4" - 19	57	5	29	14	16	
- 04 - 06	3/8"	1/4" - 19	57	5	29	14	16	
- 04 - 08	1/2"	1/4" - 19	63	5	30	14	19	
- 06 - 04	1/4"	3/8" - 19	57	7	31	15	19	
- 06 - 05	5/16"	3/8" - 19	60	7	32	15	19	
- 06 - 06	3/8"	3/8" - 19	60	7	32	15	19	
- 06 - 08	1/2"	3/8" - 19	63	9.5	30	15	19	
- 08 - 06	3/8"	1/2" - 14	66	11	38	19	22	
- 08 - 08	1/2"	1/2" - 14	72	11	39	19	22	
- 08 - 10	5/8"	1/2" - 14	77	11	36	19	22	
- 08 - 12	3/4"	1/2" - 14	89	11	37	19	26	
- 10 - 08	1/2"	5/8" - 14	72	13	39	19	26	
- 10 - 10	5/8"	5/8" - 14	80	13	39	19	26	
- 12 - 08	1/2"	3/4" - 14	72	14.5	39	19	28.5	
- 12 - 10	5/8"	3/4" - 14	80	14.5	39	19	28.5	
- 12 - 12	3/4"	3/4" - 14	92	14.5	40	19	28.5	
- 12 - 16	1"	3/4" - 14	100	14.5	39	19	32	
- 16 - 12	3/4"	1" - 11	98	20	46	24	35	
- 16 - 16	1"	1" - 11	108	20	47	24	35	
- 20 - 16	1"	1.1/4" - 11	109	26	48	24	44	
- 20 - 20	1.1/4"	1.1/4" - 11	118	26	48	24	44	
- 24 - 24	1.1/2"	1.1/2" - 11	127	32	49	24	50	
- 32 - 32	2"	2" - 11	145	44	56	27	60	

**S016**  
STANDARD

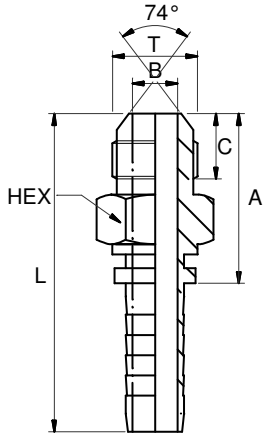
**NPT MALE 30° CONE SEAT**



PART Ref. Size	Hose	Thread	Dimensions mm					
			L	B	A	C	HEX	
<b>S016</b>								
- 02 - 04	1/4"	1/8" - 27	49	4	23	10	12.7	
- 04 - 04	1/4"	1/4" - 18	52	5	26	14	16	
- 04 - 06	3/8"	1/4" - 18	57	5	29	14	16	
- 04 - 08	3/8"	1/4" - 18	63	5	30	14	19	
- 06 - 04	1/4"	3/8" - 18	57	7	31	15	19	
- 06 - 06	3/8"	3/8" - 18	60	7	32	15	19	
- 06 - 08	1/2"	3/8" - 18	63	9.5	30	15	19	
- 08 - 06	3/8"	1/2" - 14	66	11	38	19	22	
- 08 - 08	1/2"	1/2" - 14	72	11	39	19	22	
- 08 - 10	5/8"	1/2" - 14	77	11	36	19	22	
- 08 - 12	3/4"	1/2" - 14	89	11	37	19	26	
- 10 - 08	1/2"	5/8" - 14	72	13	39	19	26	
- 10 - 10	5/8"	5/8" - 14	80	13	39	19	26	
- 12 - 08	1/2"	3/4" - 14	72	14.5	39	19	28.5	
- 12 - 10	5/8"	3/4" - 14	80	14.5	39	19	28.5	
- 12 - 12	3/4"	3/4" - 14	92	14.5	40	19	28.5	
- 16 - 12	3/4"	1" - 11.1/2	98	20	46	24	35	
- 16 - 16	1"	1" - 11.1/2	108	20	47	24	35	
- 20 - 16	1"	1.1/4" - 11.1/2	109	26	48	24	44	
- 20 - 20	1.1/4"	1.1/4" - 11.1/2	118	26	48	24	44	
- 24 - 24	1.1/2"	1.1/2" - 11.1/2	127	32	49	24	50	
- 32 - 32	2"	2" - 11.1/2	145	44	56	27	60	

**S018**  
STANDARD

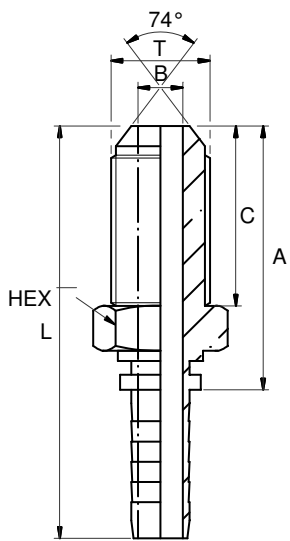
**JIC MALE FLARE 37° CONE SEAT**



PART Ref. Size	Hose	Thread	Dimensions mm					
			L	B	A	C	HEX	
<b>S018</b>								
- 07 - 04	1/4"	7/16" - 20	52	4	26	11	12.7	
- 08 - 04	1/4"	1/2" - 20	55	4	31	13	14	
- 08 - 06	3/8"	1/2" - 20	55	6.5	27	10	14	
- 09 - 04	1/4"	9/16" - 18	56	4	30	14	16	
- 09 - 06	3/8"	9/16" - 18	57	6.5	29	14	16	
- 09 - 08	1/2"	9/16" - 18	63	9.5	30	14	19	
- 12 - 06	3/8"	3/4" - 16	64	6.5	36	17	19	
- 12 - 08	1/2"	3/4" - 16	68	9.5	35	17	19	
- 14 - 06	3/8"	7/8" - 14	66	6.5	33	19	22	
- 14 - 08	1/2"	7/8" - 14	72	9.5	39	19	22	
- 14 - 10	5/8"	7/8" - 14	77	12	36	19	22	
- 14 - 12	3/4"	7/8" - 14	89	14.5	37	19	26	
- 17 - 08	1/2"	1.1/16" - 12	75	9.5	42	22	27	
- 17 - 10	5/8"	1.1/16" - 12	83	12	42	22	27	
- 17 - 12	3/4"	1.1/16" - 12	95	14.5	43	22	28	
- 19 - 12	3/4"	1.3/16" - 12	95	14.5	43	22	30	
- 21 - 12	3/4"	1.5/16" - 12	98	14.5	46	22	35	
- 21 - 16	1"	1.5/16" - 12	108	20	46	24	35	
- 26 - 16	1"	1.5/8" - 12	109	20	47	24	41	
- 26 - 20	1.1/4"	1.5/8" - 12	119	26	49	24	41	
- 30 - 20	1.1/4"	1.7/8" - 12	119	26	49	24	50	
- 30 - 24	1.1/2"	1.7/8" - 12	127	32	49	24	50	
- 40 - 32	2"	2.1/2" - 12	142	44	53	26	63	

**S019**  
STANDARD

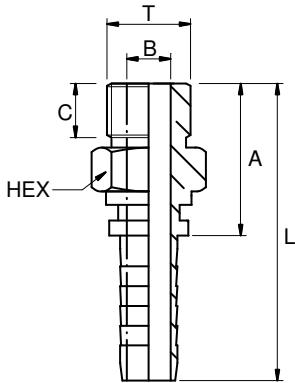
**JIC BULKHEAD 37° SEAT**



PART Ref. Size	Hose	Thread	Dimensions mm					
			L	B	A	C	HEX	
<b>S019</b>								
- 07 - 04	1/4"	7/16" - 20	76	4	50	35	12.7	
- 08 - 04	1/4"	1/2" - 20	76	4	50	34	14	
- 09 - 04	1/4"	9/16" - 18	76	4	50	34	16	
- 09 - 06	3/8"	9/16" - 18	79	6.5	51	34	16	
- 10 - 06	3/8"	5/8" - 18	79	6.5	51	34	17	
- 12 - 08	1/2"	3/4" - 16	88	9.5	55	36	22	
- 14 - 08	1/2"	7/8" - 14	88	9.5	55	35	26	
- 14 - 10	5/8"	7/8" - 14	96	12	55	35	26	
- 17 - 08	1/2"	1.1/16" - 12	91	9.5	58	38	28	
- 17 - 10	5/8"	1.1/16" - 12	99	12	58	38	28	
- 17 - 12	3/4"	1.1/16" - 12	111	14.5	59	38	28	
- 21 - 12	3/4"	1.5/16" - 12	111	14.5	59	36	38	

**S020**  
STANDARD

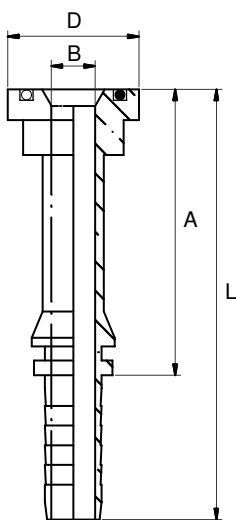
**UNF O'RING BOSS MALE**



PART Ref. Size	Hose	Thread	Dimensions mm					
			L	B	A	C	HEX	
<b>S020</b>								
- 07 - 04	1/4"	7/16" - 20	52	4	26	10	16	
- 08 - 04	1/4"	7/16" - 20	52	4	26	10	17	
- 09 - 04	1/4"	9/16" - 18	53	4	27	11	19	
- 09 - 06	3/8"	9/16" - 18	56	6.5	28	11	19	
- 12 - 06	3/8"	3/4" - 16	66	6.5	38	12	22	
- 12 - 08	1/2"	3/4" - 16	72	9.5	39	12	22	
- 14 - 06	3/8"	7/8" - 14	60	6.5	32	13	26	
- 14 - 08	1/2"	7/8" - 14	66	9.5	33	13	26	
- 14 - 10	5/8"	7/8" - 14	74	12	33	13	26	
- 17 - 08	1/2"	1.1/16" - 12	69	9.5	36	16	32	
- 17 - 10	5/8"	1.1/16" - 12	77	12	36	16	32	
- 17 - 12	3/4"	1.1/16" - 12	89	14.5	37	16	32	
- 19 - 12	3/4"	1.3/16" - 12	89	14.5	37	16	35	
- 21 - 12	3/4"	1.5/16" - 12	90	14.5	38	16	38	
- 21 - 16	1"	1.5/16" - 12	100	20	39	16	38	

**S023**  
STANDARD

**SAE STRAIGHT FLANGE J518 3000 PSI CODE 61**



PART Ref. Size	Hose	Thread	Dimensions mm			
			L	B	A	D
<b>S023</b>						
- 08 - 08	1/2"		85	9.5	52	30
- 10 - 10	5/8"		98	12	57	34
- 12 - 12	3/4"		113	14.5	61	38
- 16 - 16	1"		131	20	70	44.5
- 20 - 20	1.1/4"		157	26	87	50.4
- 24 - 24	1.1/2"		163	32	85	60.3
- 32 - 32	2"		180	44	97	73



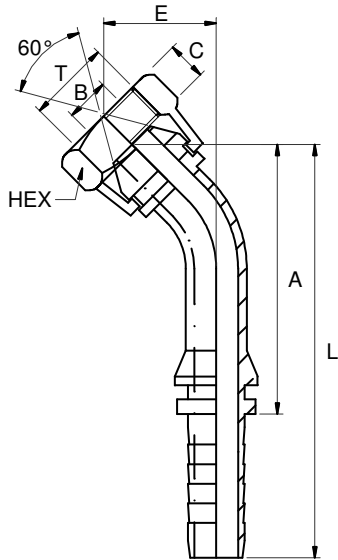






**S060**  
STANDARD

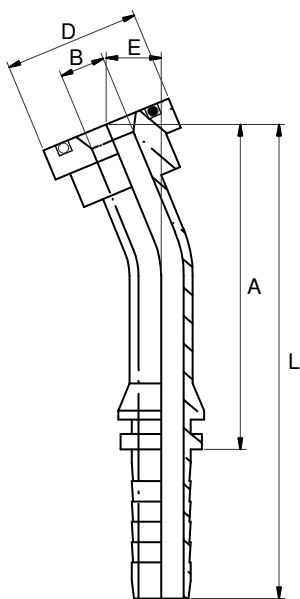
**45° BSP FEMALE ELBOW 30° SEAT  
SOLID ONE PIECE**



PART Ref. Size	Hose	Thread	Dimensions mm						
			L	B	A	C	E	HEX	
<b>S060</b>									
- 02 - 04	1/4"	1/8" - 28	64	4	38	4	15	16	
- 04 - 04	1/4"	1/4" - 19	64	4	38	4	15	19	
- 06 - 04	1/4"	3/8" - 19	65	4	39	5	20	22	
- 06 - 06	3/8"	3/8" - 19	75	6.5	47	5	20	22	
- 08 - 06	3/8"	1/2" - 14	76	6.5	48	6	20	26	
- 08 - 08	1/2"	1/2" - 14	89	9.5	56	6	28	26	
- 10 - 08	1/2"	5/8" - 14	90	9.5	57	7	28	28	
- 10 - 10	5/8"	5/8" - 14	111	12	70	7	28	28	
- 12 - 10	5/8"	3/4" - 14	113	12	72	10	28	32	
- 12 - 12	3/4"	3/4" - 14	126	14.5	74	10	35	32	
- 16 - 16	1"	1" - 11	162	20	101	10	37	38	
- 20 - 16	1"	1.1/4" - 11	165	20	104	10	37	50	
- 20 - 20	1.1/4"	1.1/4" - 11	180	26	110	13	50	50	
- 24 - 20	1.1/4"	1.1/2" - 11	183	26	113	13	50	56	
- 24 - 24	1.1/2"	1.1/2" - 11	205	32	129	13	54	56	

**S062**  
STANDARD

**22.5° SAE FLANGE J518 3000 PSI CODE 61  
SOLID ONE PIECE**



PART Ref. Size	Hose	Thread	Dimensions mm					
			L	B	A	D	E	
<b>S062</b>								
- 08 - 08	1/2"		89	5.5	56	30	7	
- 12 - 12	3/4"		119	14.5	67	38	12	
- 16 - 16	1"		144	20	83	44.5	9	
- 20 - 20	1.1/4"		176	26	106	50.4	15	
- 24 - 24	1.1/2"		192	32	114	60.3	18	





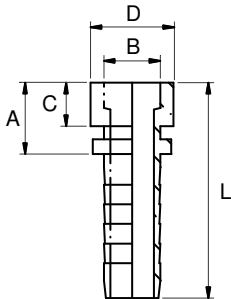






**S096**  
STANDARD

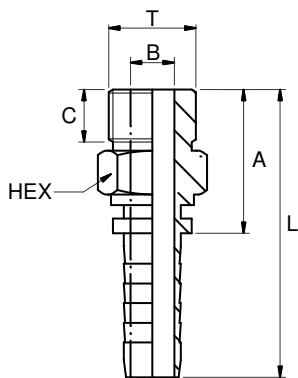
**LIFE SAVER**



PART Ref. Size	Hose	Thread	Dimensions mm					
			L	B	A	D	C	
<b>S096</b>								
- 04 - 04	1/4"		39	4	13	12	8	
- 06 - 06	3/8"		43	6.5	15	16	9	
- 08 - 08	1/2"		49	9.5	16	19	9	
- 10 - 10	5/8"		58	12	17	22	10	
- 12 - 12	3/4"		70	14.5	18	26	10	
- 16 - 16	1"		80	20	18	32	10	
- 20 - 20	1.1/4"		92	26	22	41	12	
- 24 - 24	1.1/2"		100	32	22	46	12	
- 32 - 32	2"		116	44	27	60	16	

**S312**  
STANDARD

**NIKKO MALE INSERT**

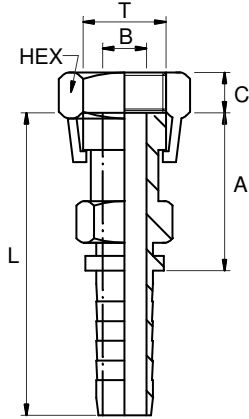


PART Ref. Size	Hose	Thread	Dimensions mm					
			L	B	A	C	HEX	
<b>S312</b>								
- 04 - 04	1/4"	1/4" - 19	54	4	28	12	19	
- 06 - 06	3/8"	3/8" - 19	61	6.5	33	15	22	
- 08 - 08	1/2"	1/2" - 14	69	9.5	36	16	26	
- 12 - 12	3/4"	3/4" - 14	92	14.5	40	19	32	
- 16 - 12	3/4"	1" - 11	98	14.5	46	20	38	
- 16 - 16	1"	1" - 11	108	20	48	20	38	
- 20 - 16	1"	1.1/4" - 11	109	20	48	21	50	
- 20 - 20	1.1/4"	1.1/4" - 11	119	26	50	21	50	
- 24 - 20	1.1/4"	1.1/2" - 11	120	26	50	22	57	
- 32 - 32	2"	2" - 11	142	44	53	22	70	



**S702**  
STANDARD

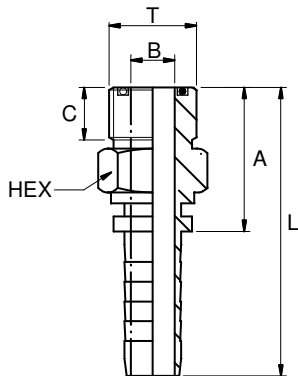
**ORFS FEMALE**



PART Ref. Size	Hose	Thread	Dimensions mm						
			L	B	A	C	H1	H2	
<b>S702</b>									
- 04 - 04	1/4"	9/16" - 18	57	4	31	7	19	12	
- 06 - 04	1/4"	11/16" - 18	62	4	36	7	24	16	
- 06 - 06	3/8"	11/16" - 18	62	6.5	34	7	24	16	
- 06 - 08	1/2"	11/16" - 18	69	9.5	36	7	24	19	
- 08 - 06	3/8"	13/16" - 18	66	6.5	38	8	26	19	
- 08 - 08	1/2"	13/16" - 18	69	9.5	36	8	26	19	
- 10 - 08	1/2"	1" - 14	77	9.5	44	11	30	24	
- 10 - 10	5/8"	1" - 14	82	12	41	11	30	24	
- 10 - 12	3/4"	1" - 14	95	14.5	43	11	30	26	
- 12 - 08	1/2"	1.3/16" - 12	78	9.5	45	12	35	27	
- 12 - 10	5/8"	1.3/16" - 12	86	12	45	12	35	27	
- 12 - 12	3/4"	1.3/16" - 12	98	14.5	46	12	35	27	
- 16 - 12	3/4"	1.7/16" - 12	101	14.5	49	12	41	35	
- 16 - 16	1"	1.7/16" - 12	111	20	49	12	41	35	
- 20 - 16	1"	1.11/16" - 12	117	20	55	14	50	41	
- 20 - 20	1.1/4"	1.11/16" - 12	127	26	57	14	50	41	

**S712**  
STANDARD

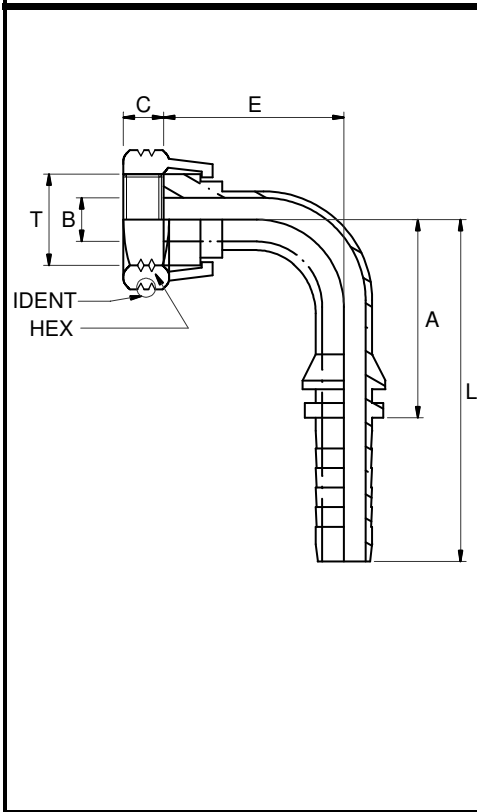
**HITACHI FEMALE**



PART Ref. Size	Hose	Thread	Dimensions mm					
			L	B	A	C	HEX	
<b>S712</b>								
- 04 - 04	1/4"	9/16" - 18	54	4	28	12	16	
- 06 - 06	3/8"	11/16" - 18	56	6.5	28	12	21	
- 08 - 06	3/8"	13/16" - 18	59	6.5	31	13	22	
- 08 - 08	1/2"	13/16" - 18	65	9.5	32	13	27	
- 10 - 08	1/2"	1" - 14	76	9.5	43	13	27	
- 10 - 10	5/8"	1" - 14	74	12	33	13	27	
- 12 - 10	5/8"	1.3/16" - 12	77	12	36	16	32	
- 12 - 12	3/4"	1.3/16" - 12	90	14.5	38	16	32	
- 16 - 12	3/4"	1.7/16" - 12	95	14.5	43	19	38	
- 16 - 16	1"	1.7/16" - 12	105	20	44	19	38	
- 20 - 20	1.1/4"	1.11/16" - 12	115	26	45	19	44	

**S752**  
STANDARD

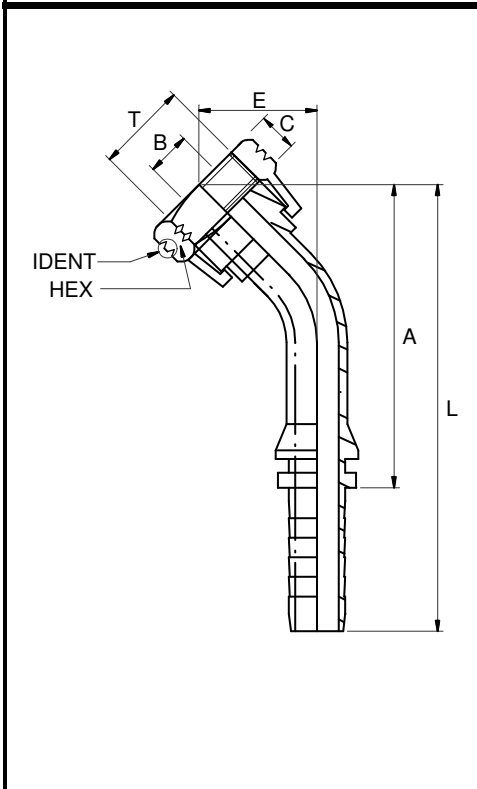
**90° HITACHI FEMALE FLAT FACE  
SOLID ONE PIECE**



PART Ref. Size	Hose	Thread	Dimensions mm						
			L	B	A	C	E	HEX	
<b>S752</b>									
- 04 - 04	1/4"	9/16" - 18	58	4	32	7	30	19	
- 06 - 04	1/4"	11/16" - 18	58	4	32	7	30	24	
- 06 - 06	3/8"	11/16" - 18	62	6.5	34	7	40	24	
- 08 - 06	3/8"	13/16" - 18	62	6.5	34	8	40	26	
- 08 - 08	1/2"	13/16" - 18	76	9.5	43	8	43	26	
- 10 - 08	1/2"	1" - 14	76	9.5	43	11	43	30	
- 10 - 10	5/8"	1" - 14	95	12	55	11	53	30	
- 12 - 08	1/2"	1.3/16" - 12	76	9.5	43	12	43	35	
- 12 - 10	5/8"	1.3/16" - 12	95	12	55	12	53	35	
- 12 - 12	3/4"	1.3/16" - 12	115	14.5	62	12	63	35	
- 16 - 12	3/4"	1.7/16" - 12	115	14.5	62	12	63	41	
- 16 - 16	1"	1.7/16" - 12	144	20	83	12	43	41	
- 20 - 16	1"	1.11/16" - 12	144	20	83	14	73	50	
- 20 - 20	1.1/4"	1.11/16" - 12	170	26	100	14	85	50	

**S762**  
STANDARD

**45° HITACHI FEMALE FLAT FACE  
SOLID ONE PIECE**

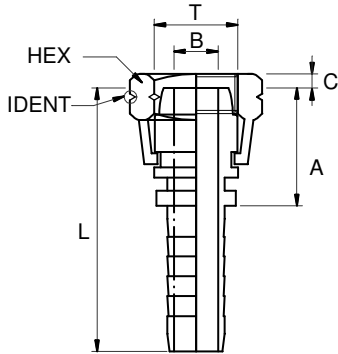


PART Ref. Size	Hose	Thread	Dimensions mm						
			L	B	A	C	E	HEX	
<b>S762</b>									
- 04 - 04	1/4"	9/16" - 18	75	4	49	7	15	19	
- 06 - 04	1/4"	11/16" - 18	75	4	49	7	15	24	
- 06 - 06	3/8"	11/16" - 18	77	6.5	49	7	20	24	
- 08 - 06	3/8"	13/16" - 18	77	6.5	49	8	20	26	
- 08 - 08	1/2"	13/16" - 18	89	9.5	56	8	28	26	
- 10 - 08	1/2"	1" - 14	90	9.5	57	11	28	30	
- 10 - 10	5/8"	1" - 14	111	12	70	11	28	30	
- 12 - 10	5/8"	1.3/16" - 12	113	12	72	12	32	35	
- 12 - 12	3/4"	1.3/16" - 12	133	14.5	81	12	35	35	
- 16 - 12	3/4"	1.7/16" - 12	133	14.5	81	12	35	41	
- 16 - 16	1"	1.7/16" - 12	158	20	96	12	37	41	
- 20 - 20	1.1/4"	1.11/16" - 12	190	26	120	14	50	50	



**S803**  
STANDARD

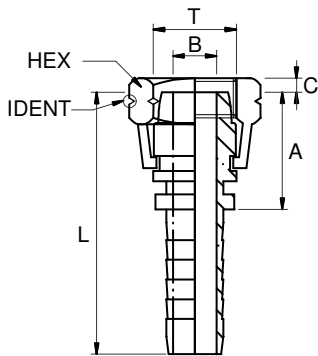
**METRIC FEMALE LIGHT DUTY 24° SEAT**



PART Ref. Size	Hose	Thread	Dimensions mm					
			L	B	A	C	HEX	
<b>S803</b>								
- 12 - 04	1/4"	12 x 1.5	47	4	21	3	16	
- 14 - 04	1/4"	14 x 1.5	47	4	21	3	19	
- 14 - 06	3/8"	14 x 1.5	47	6.5	19	3	19	
- 16 - 04	1/4"	16 x 1.5	48	4	22	3	22	
- 16 - 06	3/8"	16 x 1.5	48	6.5	20	3	22	
- 18 - 04	1/4"	18 x 1.5	51	4	25	3	24	
- 18 - 06	3/8"	18 x 1.5	51	6.5	23	3	24	
- 18 - 08	1/2"	18 x 1.5	57	9.5	24	3	24	
- 20 - 06	3/8"	20 x 1.5	53	6.5	25	3	26	
- 20 - 08	1/2"	20 x 1.5	57	9.5	24	3	26	
- 22 - 06	3/8"	22 x 1.5	56	6.5	28	3	28	
- 22 - 08	1/2"	22 x 1.5	59	9.5	26	3	28	
- 26 - 08	1/2"	26 x 1.5	63	9.5	30	3	32	
- 26 - 10	5/8"	26 x 1.5	71	12	30	3	32	
- 26 - 12	3/4"	26 x 1.5	83	14.5	31	3	32	
- 30 - 12	3/4"	30 x 2.0	79	14.5	27	4	35	
- 36 - 12	3/4"	36 x 2.0	86	14.5	34	4	44	
- 36 - 16	1"	36 x 2.0	96	20	35	4	44	
- 45 - 16	1"	45 x 2.0	102	20	41	5	50	
- 45 - 20	1.1/4"	45 x 2.0	112	26	42	5	50	
- 52 - 20	1.1/4"	52 x 2.0	112	26	42	5	60	

**S804**  
STANDARD

**METRIC FEMALE HEAVY DUTY 24° SEAT**

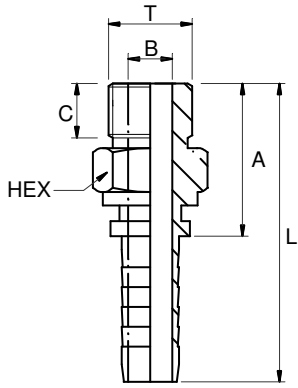


PART Ref. Size	Hose	Thread	Dimensions mm					
			L	B	A	C	HEX	
<b>S804</b>								
- 12 - 04	1/4"	12 x 1.5	47	4	21	2	16	
- 14 - 04	1/4"	14 x 1.5	47	4	21	2	19	
- 16 - 04	1/4"	16 x 1.5	48	4	22	2	22	
- 16 - 06	3/8"	16 x 1.5	48	6.5	20	2	22	
- 18 - 04	1/4"	18 x 1.5	51	4	25	3	24	
- 18 - 06	3/8"	18 x 1.5	51	6.5	23	3	24	
- 18 - 08	1/2"	18 x 1.5	53	9.5	20	3	24	
- 20 - 06	3/8"	20 x 1.5	54	6.5	26	3	26	
- 20 - 08	1/2"	20 x 1.5	57	9.5	24	3	26	
- 22 - 06	3/8"	22 x 1.5	59	6.5	31	3	28	
- 22 - 08	1/2"	22 x 1.5	59	9.5	26	3	28	
- 24 - 08	1/2"	24 x 1.5	62	9.5	29	3	30	
- 24 - 10	5/8"	24 x 1.5	70	12	29	3	30	
- 30 - 08	1/2"	30 x 2.0	65	9.5	32	4	35	
- 30 - 10	5/8"	30 x 2.0	70	12	29	4	35	
- 30 - 12	3/4"	30 x 2.0	85	14.5	33	4	35	
- 36 - 12	3/4"	36 x 2.0	88	14.5	36	4	44	
- 32 - 16	1"	32 x 2.0	98	20	36	4	44	
- 42 - 16	1"	42 x 2.0	112	20	51	5	48	
- 52 - 20	1.1/4"	52 x 2.0	122	26	52	5	60	



**S810**  
STANDARD

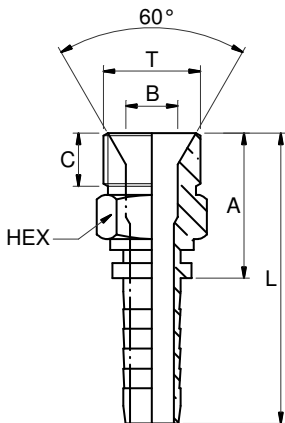
**METRIC MALE FLAT SEAT TYPE**



PART Ref. Size	Hose	Thread	Dimensions mm					
			L	B	A	C	HEX	
<b>S810</b>			L	B	A	C	HEX	
- 10 - 04	1/4"	10 x 1.0	52	4	26	10	14	
- 10 - 04	1/4"	10 x 1.25	52	4	26	10	14	
- 10 - 04	1/4"	10 x 1.5	52	4	26	10	14	
- 12 - 04	1/4"	12 x 1.0	54	4	28	12	16	
- 12 - 04	1/4"	12 x 1.5	54	4	28	12	16	
- 14 - 04	1/4"	14 x 1.5	55	4	29	12	19	
- 16 - 04	1/4"	16 x 1.5	55	4	29	12	21	
- 16 - 06	3/8"	16 x 1.5	58	6.5	30	12	21	
- 16 - 08	1/2"	16 x 1.5	64	9.5	31	12	21	
- 18 - 04	1/4"	18 x 1.5	61	4	35	19	19	
- 18 - 06	3/8"	18 x 1.5	64	6.5	36	19	19	
- 20 - 04	1/2"	20 x 1.5	62	4	36	20	22	
- 22 - 06	3/8"	22 x 1.5	62	6.5	34	15	26	
- 22 - 08	1/2"	22 x 1.5	68	9.5	35	15	26	
- 26 - 10	5/8"	26 x 1.5	77	12	36	16	28	

**S811**  
STANDARD

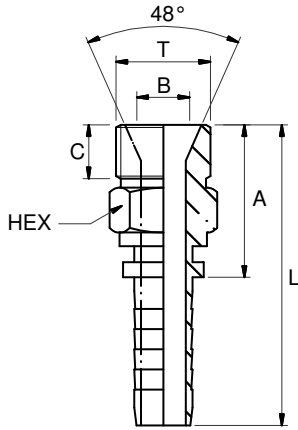
**METRIC MALE 60° CONE SEAT**



PART Ref. Size	Hose	Thread	Dimensions mm					
			L	B	A	C	HEX	
<b>S811</b>			L	B	A	C	HEX	
- 12 - 04	1/4"	12 x 1.5	53	4	27	11	14	
- 14 - 04	1/4"	14 x 1.5	54	4	28	12	16	
- 16 - 04	1/4"	16 x 1.5	55	4	29	13	17	
- 16 - 06	3/8"	16 x 1.5	58	6.5	30	13	17	
- 18 - 06	3/8"	18 x 1.5	58	6.5	30	13	19	
- 20 - 08	1/2"	20 x 1.5	67	9.5	34	15	22	
- 22 - 08	1/2"	22 x 1.5	69	9.5	36	16	24	
- 26 - 08	1/2"	26 x 1.5	69	9.5	36	16	28	
- 26 - 10	5/8"	26 x 1.5	77	12	36	16	28	
- 26 - 12	3/4"	26 x 1.5	89	14.5	36	16	28	
- 30 - 10	5/8"	30 x 1.5	77	12	36	16	32	
- 30 - 12	3/4"	30 x 1.5	89	14.5	36	16	32	
- 38 - 16	1"	38 x 1.5	102	20	41	18	41	

**S813**  
STANDARD

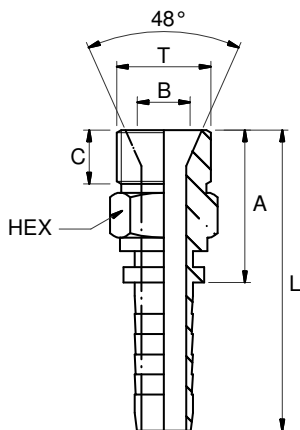
**METRIC MALE 24° SEAT LIGHT DUTY**



PART Ref. Size	Hose	Thread	Dimensions mm					
			L	B	A	C	HEX	
<b>S813</b>			L	B	A	C	HEX	
- 12 - 04	1/4"	12 x 1.5	52	4	26	10	14	
- 14 - 04	1/4"	14 x 1.5	53	4	27	11	16	
- 14 - 06	3/8"	14 x 1.5	56	6.5	28	11	16	
- 16 - 04	1/4"	16 x 1.5	53	4	27	11	17	
- 16 - 06	3/8"	16 x 1.5	56	6.5	28	11	17	
- 18 - 04	1/4"	18 x 1.5	54	4	28	12	19	
- 18 - 06	3/8"	18 x 1.5	58	6.5	30	12	19	
- 18 - 08	1/2"	18 x 1.5	64	9.5	31	12	19	
- 20 - 06	3/8"	20 x 1.5	59	6.5	31	13	22	
- 20 - 08	1/2"	20 x 1.5	65	9.5	32	13	22	
- 22 - 06	3/8"	22 x 1.5	61	6.5	33	14	24	
- 22 - 08	1/2"	22 x 1.5	67	9.5	34	14	24	
- 26 - 08	1/2"	26 x 1.5	68	9.5	35	15	27	
- 26 - 10	5/8"	26 x 1.5	76	12	35	15	27	
- 26 - 12	3/4"	26 x 1.5	88	14.5	36	15	27	
- 30 - 10	5/8"	30 x 2.0	81	12	40	16	32	
- 30 - 12	3/4"	30 x 2.0	93	14.5	41	16	32	
- 36 - 12	3/4"	36 x 2.0	95	14.5	43	20	38	
- 36 - 16	1"	36 x 2.0	105	20	44	20	38	
- 45 - 16	1"	45 x 2.0	107	20	46	19	48	
- 45 - 20	1.1/4"	45 x 2.0	117	26	47	19	48	
- 52 - 20	1.1/4"	52 x 2.0	117	26	47	22	55	
- 52 - 24	1.1/2"	52 x 2.0	125	32	47	22	55	

**S814**  
STANDARD

**METRIC MALE 24° SEAT HEAVY DUTY**

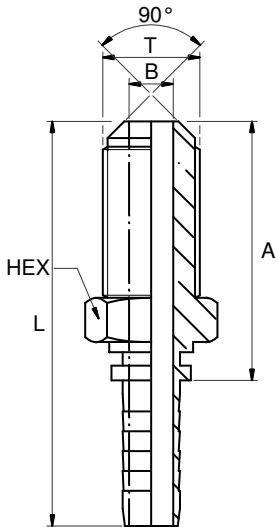


PART Ref. Size	Hose	Thread	Dimensions mm					
			L	B	A	C	HEX	
<b>S814</b>			L	B	A	C	HEX	
- 12 - 04	1/4"	12 x 1.5	52	4	26	10	14	
- 14 - 04	1/4"	14 x 1.5	53	4	27	11	16	
- 16 - 04	1/4"	16 x 1.5	53	4	27	11	17	
- 16 - 06	3/8"	16 x 1.5	56	6.5	30	11	17	
- 18 - 04	1/4"	18 x 1.5	54	4	28	12	19	
- 18 - 06	3/8"	18 x 1.5	57	6.5	29	12	19	
- 20 - 06	3/8"	20 x 1.5	59	6.5	31	13	22	
- 20 - 08	1/2"	20 x 1.5	65	9.5	32	13	22	
- 22 - 08	1/2"	22 x 1.5	68	9.5	35	14	24	
- 24 - 08	1/2"	24 x 1.5	68	9.5	35	15	26	
- 30 - 10	5/8"	30 x 2.0	77	12	36	15	32	
- 30 - 12	3/4"	30 x 2.0	93	14.5	43	15	32	
- 36 - 12	3/4"	36 x 2.0	94	14.5	44	20	38	
- 36 - 16	1"	36 x 2.0	104	20	43	20	38	
- 42 - 16	1"	42 x 2.0	106	20	45	22	44	



**S819**  
STANDARD

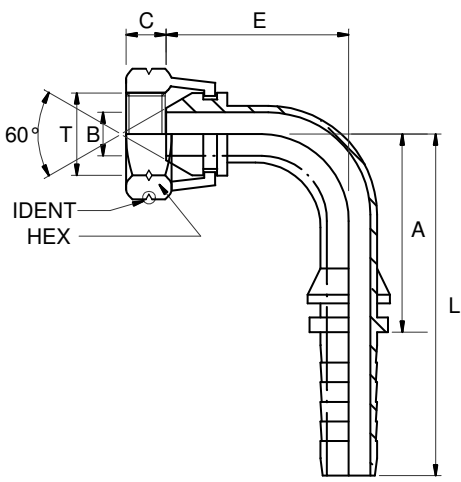
**METRIC BULKHEAD**



PART Ref. Size	Hose	Thread	Dimensions mm					
			L	B	A	C	HEX	
<b>S819</b>								
- 10 - 04	1/4"	10 x 1.0	66	4	40	25	12.7	
- 12 - 04	1/4"	12 x 1.0	67	4	41	25	14	
- 12 - 04	1/4"	12 x 1.5	75	4	49	33	14	
- 12 - 06	3/8"	12 x 1.0	70	6.5	42	25	16	
- 14 - 04	1/4"	14 x 1.5	73	4	47	31	17	
- 14 - 06	3/8"	14 x 1.5	76	6.5	48	31	17	
- 16 - 04	1/4"	16 x 1.5	75	4	49	33	19	
- 16 - 06	3/8"	16 x 1.5	78	6.5	50	33	19	
- 16 - 08	1/2"	16 x 1.5	81	9.5	48	33	19	
- 18 - 06	3/8"	18 x 1.5	81	6.5	55	35	21	
- 18 - 08	1/2"	18 x 1.5	87	9.5	54	35	21	
- 20 - 06	3/8"	20 x 1.5	85	6.5	57	39	22	
- 20 - 08	1/2"	20 x 1.5	91	9.5	58	39	22	
- 22 - 06	3/8"	22 x 1.5	87	6.5	59	40	26	
- 22 - 08	1/2"	22 x 1.5	93	9.5	60	40	26	

**S851**  
STANDARD

**90° METRIC SWEPT ELBOW 60° SEAT  
SOLID ONE PIECE**

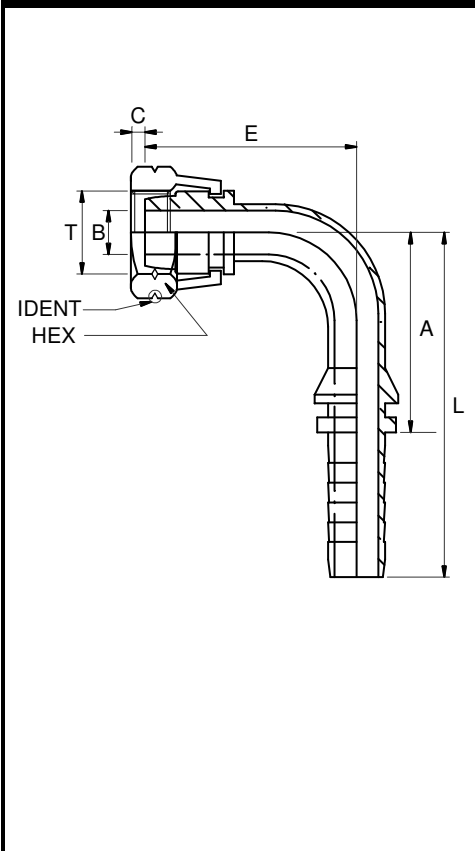


PART Ref. Size	Hose	Thread	Dimensions mm					
			L	B	A	C	E	HEX
<b>S851</b>								
- 12 - 04	1/4"	12 x 1.5	58	4	32	4	35	16
- 14 - 04	1/4"	14 x 1.5	58	4	32	4	35	19
- 16 - 04	1/4"	16 x 1.5	58	4	32	5	35	22
- 16 - 06	3/8"	16 x 1.5	62	6.5	34	5	43	22
- 18 - 06	3/8"	18 x 1.5	62	6.5	34	5	43	24
- 20 - 06	3/8"	20 x 1.5	62	6.5	34	5	43	26
- 22 - 08	1/2"	22 x 1.5	78	9.5	45	8	50	28
- 26 - 10	5/8"	26 x 1.5	95	12	54	9	64	32
- 30 - 10	5/8"	30 x 1.5	95	12	54	10	64	35
- 30 - 12	3/4"	30 x 1.5	114	14.5	62	10	70	35



**S854**  
STANDARD

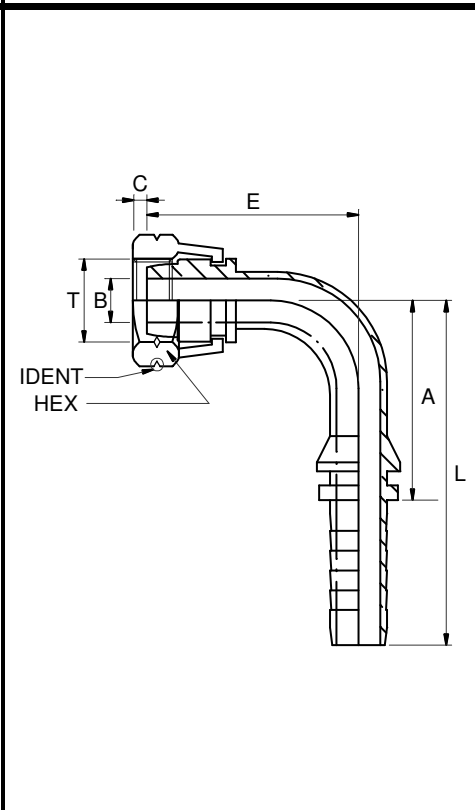
**90° METRIC SWEPT ELBOW HEAVY DUTY 24° SEAT SOLID ONE PIECE**



PART Ref. Size	Hose	Thread	Dimensions mm						
			L	B	A	C	E	HEX	
<b>S854</b>									
- 14 - 04	1/4"	14 x 1.5	58	4	32	3	37	19	
- 16 - 04	1/4"	16 x 1.5	58	4	32	3	37	22	
- 16 - 06	3/8"	16 x 1.5	62	6.5	34	3	45	22	
- 18 - 04	1/4"	18 x 1.5	58	4	32	3	37	24	
- 18 - 06	3/8"	18 x 1.5	62	6.5	34	3	45	24	
- 20 - 06	3/8"	20 x 1.5	62	6.5	34	3	45	26	
- 20 - 08	1/2"	20 x 1.5	78	9.5	45	3	53	26	
- 22 - 06	3/8"	22 x 1.5	62	6.5	34	3	45	28	
- 24 - 08	1/2"	24 x 1.5	78	9.5	45	3	55	30	
- 30 - 10	5/8"	30 x 2.0	95	12	54	4	65	35	
- 30 - 12	3/4"	30 x 2.0	114	14.5	62	4	72	35	
- 36 - 12	3/4"	36 x 2.0	114	14.5	62	4	72	44	
- 36 - 16	1"	36 x 2.0	139	20	78	4	85	44	
- 42 - 16	1"	42 x 2.0	166	20	78	5	85	48	
- 52 - 20	1.1/4"	52 x 2.0	183	26	96	5	108	60	

**S855**  
STANDARD

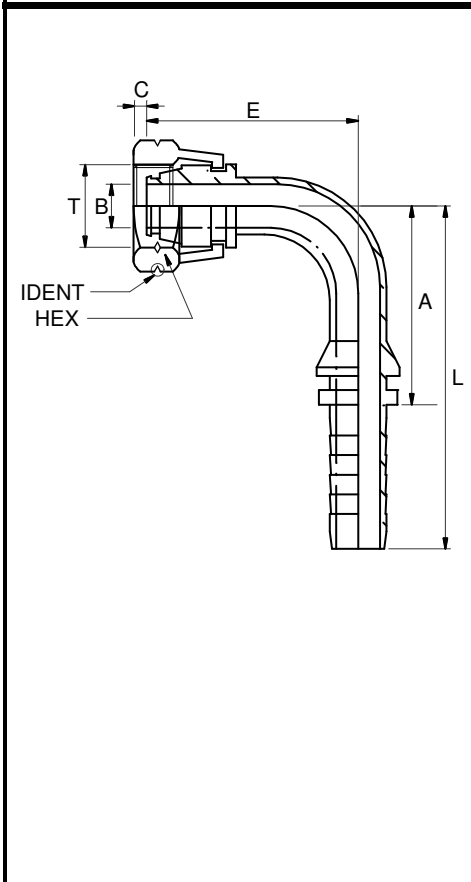
**90° METRIC SWEPT ELBOW FRENCH TYPE 24° SEAT SOLID ONE PIECE**



PART Ref. Size	Hose	Thread	Dimensions mm						
			L	B	A	C	E	HEX	
<b>S855</b>									
- 30 - 10	5/8"	30 x 1.5	95	12	54	4	65	35	
- 30 - 12	3/4"	30 x 1.5	114	14.5	62	4	72	35	
- 36 - 12	3/4"	36 x 1.5	114	14.5	62	4	72	44	
- 36 - 16	1"	36 x 1.5	139	20	78	4	85	44	
- 38 - 16	1"	38 x 1.5	139	20	78	5	85	44	
- 45 - 16	1"	45 x 1.5	139	20	78	5	85	50	

**S856**  
STANDARD

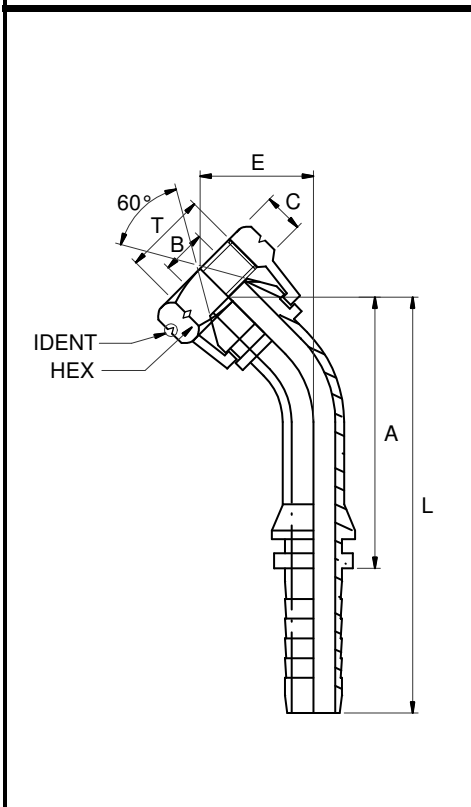
**90° METRIC O'RING SWEPT ELBOW (DKO) TYPE  
SOLID ONE PIECE**



PART Ref. Size	Hose	Thread	Dimensions mm						
			L	B	A	C	E	HEX	
<b>S856</b>									
- 16 - 04	1/4"	16 x 1.5	58	4	32	3	37	22	
- 16 - 06	3/8"	16 x 1.5	62	6.5	34	3	45	22	
- 18 - 04	1/4"	18 x 1.5	58	4	32	3	24	24	
- 18 - 06	3/8"	18 x 1.5	62	6.5	34	3	45	24	
- 20 - 06	3/8"	20 x 1.5	62	6.5	34	3	45	26	
- 20 - 08	1/2"	20 x 1.5	78	9.5	45	3	53	26	
- 22 - 08	1/2"	22 x 1.5	78	9.5	45	3	55	28	
- 24 - 08	1/2"	24 x 1.5	78	9.5	45	3	55	30	
- 26 - 10	5/8"	26 x 1.5	95	12	54	3	65	32	
- 30 - 10	5/8"	30 x 2.0	95	12	54	4	65	35	
- 30 - 12	3/4"	30 x 2.0	114	14.5	62	4	72	35	
- 36 - 12	3/4"	36 x 2.0	114	14.5	62	4	72	44	
- 36 - 16	1"	36 x 2.0	137	20	78	4	85	44	
- 42 - 16	1"	42 x 2.0	137	20	78	5	85	48	
- 45 - 20	1.1/4"	45 x 2.0	183	26	96	5	108	50	
- 52 - 20	1.1/4"	52 x 2.0	183	26	96	5	108	60	

**S861**  
STANDARD

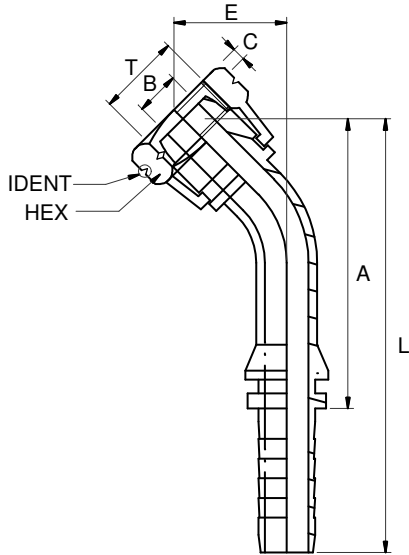
**45° METRIC SWEPT ELBOW 60° SEAT  
SOLID ONE PIECE**



PART Ref. Size	Hose	Thread	Dimensions mm						
			L	B	A	C	E	HEX	
<b>S861</b>									
- 12 - 04	1/4"	12 x 1.5	64	4	38	4	15	16	
- 14 - 04	1/4"	14 x 1.5	64	4	38	4	19	15	
- 16 - 06	3/8"	16 x 1.5	75	6.5	47	5	20	22	
- 18 - 06	3/8"	18 x 1.5	75	6.5	47	5	20	24	
- 18 - 08	1/2"	18 x 1.5	88	9.5	55	5	28	24	
- 20 - 06	3/8"	20 x 1.5	75	6.5	47	5	20	26	
- 22 - 08	1/2"	22 x 1.5	89	9.5	56	6	28	28	
- 26 - 10	5/8"	26 x 1.5	113	12	72	6	28	32	
- 26 - 12	3/4"	26 x 1.5	126	14.5	74	6	35	32	
- 30 - 12	3/4"	30 x 1.5	126	14.5	74	8	35	35	
- 38 - 16	1"	38 x 1.5	162	20	100	10	37	44	
- 45 - 20	1.1/4"	45 x 1.5	182	26	112	10	50	52	

**S863**  
STANDARD

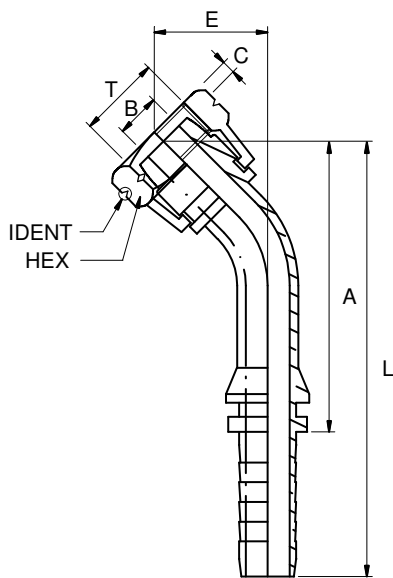
**45° METRIC FEMALE LIGHT DUTY 24° SEAT  
SOLID ONE PIECE**



PART Ref. Size	Hose	Thread	Dimensions mm						
			L	B	A	C	E	HEX	
<b>S863</b>									
- 12 - 04	1/4"	12 x 1.5	64	4	38	3	15	16	
- 14 - 04	1/4"	14 x 1.5	64	4	38	3	15	19	
- 16 - 04	1/4"	16 x 1.5	64	4	38	3	15	22	
- 16 - 06	3/8"	16 x 1.5	75	6.5	47	3	20	22	
- 18 - 06	3/8"	18 x 1.5	75	6.5	47	3	20	24	
- 20 - 06	3/8"	20 x 1.5	75	6.5	47	3	20	26	
- 22 - 08	1/2"	22 x 1.5	88	9.5	55	3	28	28	
- 24 - 08	1/2"	24 x 1.5	88	9.5	55	3	28	30	
- 26 - 08	1/2"	26 x 1.5	88	9.5	55	3	28	32	
- 26 - 10	5/8"	26 x 1.5	113	12	72	3	28	32	
- 26 - 12	3/4"	26 x 1.5	126	14.5	74	3	35	32	
- 30 - 12	3/4"	30 x 2.0	126	14.5	74	4	35	35	
- 36 - 16	1"	36 x 2.0	162	20	100	4	37	44	
- 45 - 20	1.1/4"	45 x 2.0	182	26	112	5	50	50	

**S864**  
STANDARD

**45° METRIC SWEPT ELBOW HEAVY DUTY 24°  
SEAT SOLID ONE PIECE**



PART Ref. Size	Hose	Thread	Dimensions mm						
			L	B	A	C	E	HEX	
<b>S864</b>									
- 16 - 04	1/4"	16 x 1.5	64	4	38	3	15	22	
- 18 - 04	1/4"	18 x 1.5	64	4	38	3	15	24	
- 18 - 06	3/8"	18 x 1.5	75	6.5	47	3	20	24	
- 20 - 06	3/8"	20 x 1.5	75	6.5	47	3	20	26	
- 22 - 06	3/8"	22 x 1.5	75	6.5	47	3	20	28	
- 22 - 08	1/2"	22 x 1.5	88	9.5	55	3	20	28	
- 24 - 08	1/2"	24 x 1.5	88	9.5	55	3	28	30	
- 26 - 10	5/8"	26 x 1.5	113	12	72	3	28	32	
- 30 - 10	5/8"	30 x 2.0	113	12	72	4	28	35	
- 30 - 12	3/4"	30 x 2.0	126	14.5	74	4	35	35	
- 36 - 12	3/4"	36 x 2.0	126	14.5	74	4	35	44	
- 36 - 16	1"	36 x 2.0	162	20	100	4	37	44	
- 52 - 20	1.1/4"	52 x 2.0	182	26	112	5	50	60	

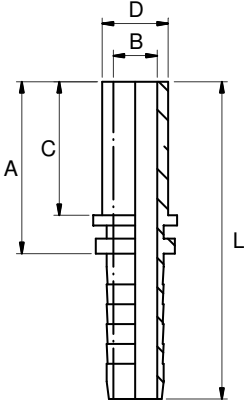






**S893**  
STANDARD

**METRIC STANDPIPE STRAIGHT**



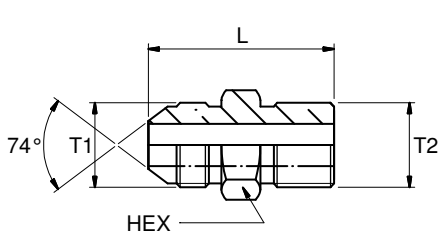
PART Ref. Size	Hose	Thread	Dimensions mm					
			L	B	A	C	D	
<b>S893</b>								
- 06 - 04	1/4"		54	4	28	20	6	
- 08 - 04	1/4"		56	4	30	22	8	
- 10 - 06	3/8"		59	6.5	31	22	10	
- 12 - 06	3/8"		62	6.5	34	25	12	
- 12 - 08	1/2"		68	9.5	35	25	12	
- 14 - 06	3/8"		62	6.5	34	25	14	
- 14 - 08	1/2"		68	9.5	35	25	14	
- 15 - 08	1/2"		71	9.5	38	28	15	
- 16 - 08	1/2"		71	9.5	38	28	16	
- 18 - 08	1/2"		73	9.5	40	30	18	
- 18 - 10	5/8"		81	12	40	30	18	
- 20 - 10	5/8"		86	12	45	35	20	
- 20 - 12	3/4"		98	14.5	46	35	20	
- 22 - 12	3/4"		98	14.5	46	35	22	
- 22 - 16	1"		108	20	47	35	22	
- 25 - 12	3/4"		103	14.5	51	40	25	
- 25 - 16	1"		113	20	52	40	25	
- 28 - 16	1"		113	20	52	40	28	
- 28 - 20	1.1/4"		123	26	53	40	28	
- 30 - 16	1"		113	20	52	40	30	
- 30 - 20	1.1/4"		128	26	58	45	38	





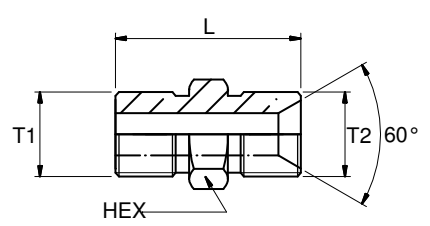
**ADGN**  
STANDARD

**JIC x 'O' RING BOSS ADAPTORS**

	PART Ref. Size	Thread		Dimensions mm					
	ADGN	T1	T2	L	HEX				
	- 07 - 07	7/16" - 20	7/16" - 20	31	16				
	- 08 - 08	1/2" - 20	7/16" - 20	31	17				
	- 09 - 09	9/16" - 20	9/16" - 18	33	19				
	- 12 - 12	3/4" - 16	3/4" - 16	38	22				
	- 14 - 14	7/8" - 14	7/8" - 14	42	26				
	- 17 - 17	1.1/16" - 12	1.1/16" - 12	48	32				
	- 21 - 21	1.5/16" - 12	1.5/16" - 12	52	38				
	- 26 - 26	1.5/8" - 12	1.5/8" - 12	56	50				
	- 30 - 30	1.7/8" - 12	1.7/8" - 12	56	57				

**ADNB**  
STANDARD

**'O' RING BOSS x BSP MALE ADAPTORS**

	PART Ref. Size	Thread		Dimensions mm					
	ADNB	T1	T2	L	HEX				
	- 07 - 04	7/16" - 20	1/4" - 19	30	16				
	- 09 - 06	9/16" - 20	3/8" - 19	33	19				
	- 12 - 08	3/4" - 16	1/2" - 19	37	22				
	- 14 - 10	7/8" - 14	5/8" - 14	41	28				
	- 17 - 12	1.1/16" - 12	3/4" - 19	45	32				
	- 21 - 16	1.5/16" - 12	1" - 11	45	38				
	- 26 - 20	1.5/8" - 12	1.1/4" - 11	54	50				
	- 30 - 24	1.7/8" - 12	1.1/2" - 11	55	57				