



# Blue lagoon

UV-C and Pool equipment

## PRODUCT CATALOGUE 2014/2015



**VGE**  
UV-C AND FILTER EQUIPMENT

MEMBER OF  Sinvest Group BV





## Company Introduction

### VGE B.V.

VGE B.V. is a prominent company focused on improving people's lives through timely innovations. As a manufacturer of a unique range of swimming pool accessories, we provide high-quality products and harmonious collaboration with the customer from our premises at the Ekkersrijt industrial area in Son, the Netherlands.

VGE B.V. is a worldwide leading player in development and production of UV-C equipment for the private pool market. We regularly introduce new products and we are well-known in the world market as being highly innovative. Since 2008 over 30.000 spa's and swimming pools are equipped with a Blue Lagoon UV-C device.

Our customers get the best price-quality rated products due to large scale production and close contact to the worlds best suppliers.

The green thought is essential in our production and development process. Environmental friendliness and saving energy are major issues at VGE B.V.

Years of experience have resulted in technically advanced products that are in use in more than 80 countries around the globe.

Our sales team is looking forward to provide you with smooth order processing and the best service.

### **VGE B.V.**

Ekkersrijt 7408  
5692 HK Son  
The Netherlands

Tel. +31(0) 499 461 099  
Fax +31(0) 499 494 229

info@vgebv.nl  
www.vgebv.com



## Contents

### products

UV-C Disinfection	4	Blue Lagoon Pool Manager	17
Blue Lagoon UV-C	5	Blue Lagoon UV-C Copper Ionizer	18
Blue Lagoon UV-C Tech	6	Blue Lagoon UV-C Copper Ionizer+	19
Blue Lagoon UV-C Saltwater	7	Blue Lagoon Ozone UV-C	20 - 21
Blue Lagoon UV-C Timer	8	Blue Lagoon Compact4Pool	22
Blue Lagoon UV-C Timer+	9	Blue Lagoon Spa UV-C	23
Blue Lagoon UV-C Pro	10	Blue Lagoon Copper Electrolyzer	24
Blue Lagoon UV-C Pro Buster	11	2-& 3-Way Cylinder valve	25
Master Blaster	12	Blue Lagoon ProfiHeater	26
Blue Lagoon Flow-Matic	13	Blue Lagoon Pool Dispense	27
Blue Lagoon UV-C Pro 3S	14	Lampes UV-C	28 - 29
Blue Lagoon UV-C Pro 3L	15	Aetaire	31
Blue Lagoon UV-C Pro 8L	16		

general terms and conditions	33
------------------------------	----

### spare parts

Products	36 - 47
----------	---------



On the product pages you can find technical information about the Blue Lagoon products. You can recognize it by the symbol as you can see above. Besides the product pages, the Blue Lagoon catalogue has spare parts pages on the back of the catalogue.



#### Stainless steel housing

A stainless steel interior provides a reflection of UV radiation and this increases the efficiency of the radiation by up to 35%. In addition, the stainless steel ensures a longer life of the housing.



#### UL certified

UL is a world leader in product safety testing and certification. For more than 100 years, manufacturers have had their merchandise evaluated and tested for safety risks by an independent, third-party safety certification organization.



#### PVC

A PVC housing is highly resistant to corrosive water, and therefore very suitable for salt chlorinated pools.



#### RU certified

RU is an UL listing and classified mark. This mark is specifically used on component parts that are part of a larger product or system.

## General information on the use of UV-C disinfection for pool water

UV-C light at a particular wavelength (253,7nm) is a very powerful germicide. It deactivates and renders harmless waterborne pathogens that are completely unaffected by chlorine based disinfectants. Examples of dangerous pathogens (viruses and cysts) neutralised by UV-C light are *Cryptosporidium parvum* and *Giardia lamblia*; chlorine will not affect these.

UV-C cannot, however, be used on its own. This is because after the pool water has been subjected to treatment with UV-C, it is disinfected but not disinfectant. A secondary disinfectant must be added to the water to ensure that the water actually in the pool is disinfectant as well as disinfected. The most commonly used secondary disinfectants are chlorine based chemicals.

Although chlorine is a good disinfectant (however not as powerful as UV-C), it has one major drawback. As a by-product of the disinfection process, chlorine

combines with bathers body fluids in the pool water and forms chloramines. Chloramines are unpleasant substances that cause eye, skin and nose irritation, breathing difficulties for young children, an unpleasant swimming pool "chlorine" smell and last but not least, damage to the fabric of the pool such as tiles, grouts, handrails and other fittings.

A second advantage of the treatment of pool water with UV light is that it destroys chloramines, thus reducing or even practically eliminating the undesirable side effects mentioned above of the use of chlorine based disinfectants.

VGE's "Blue Lagoon" range offers the solutions mentioned above. The economical comparison of the various solutions depends very much on pool size, design and usage. The capital and running costs and capital costs of disinfection systems should be considered for every pool on a case by case basis.



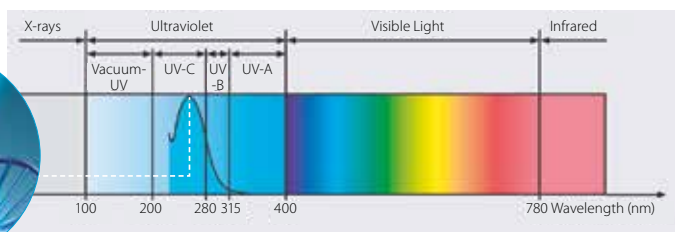
Viruses



Moulds



Bacteria



MODEL		RECOMMENDED FLOW RATE IN M <sup>3</sup> /H		PERFORMANCE IN MJ/CM <sup>2</sup> AT RECOMMENDED FLOW RATES	MAXIMUM FLOW RATE IN M <sup>3</sup> /H	MAX. WORKING PRESSURE IN BAR	UV-C CLAMP	BRAND LAMP	INLET/OUTLET DIAMETER (MM)	HEIGHT OF REACTOR IN CM ±	DISTANCE BETWEEN INLET / OUTLET IN CM ±	WEIGHT IN KG ±
BE02162	UV-C Tech 16W	5	30	23	2	1 x 16W	LightTech	63	56	34	2,8	
BE02402	UV-C Tech 40W	11	30	23	2	1 x 40W	LightTech	63	100	77	3,6	
BE02752	UV-C Tech 75W	16	30	23	2	1 x 75W	LightTech	63	100	77	3,9	
BE03132	UV-C Tech 130W	22	30	23	2	1 x 130W Amalgam	LightTech	63	100	77	5,0	
BE06402	UV-C Saltwater 40W	9	30	23	2	1 x 40W	Philips Smart Cap	63	100	77	3,0	
BE06752	UV-C Saltwater 75W	14	30	23	2	1 x 75W	Philips Smart Cap	63	100	77	3,2	
BH01402	UV-C Timer 40W	11	30	23	2	1 x 40W	Philips	63	100	77	4,1	
BH01752	UV-C Timer 75W	16	30	23	2	1 x 75W	Philips	63	100	77	4,3	
BH01132	UV-C Timer 130W	22	30	23	2	1 x 130W Amalgam	Philips	63	100	77	4,5	
BH02402	UV-C Timer+ 40W	11	30	23	2	1 x 40W	Philips	63	100	77	4,5	
BH02752	UV-C Timer+ 75W	16	30	23	2	1 x 75W	Philips	63	100	77	4,8	
BH02132	UV-C Timer+ 130W	22	30	23	2	1 x 130W Amalgam	Philips	63	100	77	4,9	
BP02752	UV-C Pro 75W	18	30	23	5	1 x 75W	Philips	2"	100	65,5	7,2	
BP02132	UV-C Pro 130W	22	30	23	5	1 x 130W Amalgam	Philips	2"	100	65,5	7,3	
BP06132	UV-C Pro Buster 3x130W	35	30	37	10	3 x 130W Amalgam	Philips	3"	95	63	16,7	
XP04402	UV-C Pro 3S 40W	3	30	5	8	1 x 40W Amalgam	LightTech	¾"	47,5	35	2,3	
XP05752	UV-C Pro 3L 75W	5	30	5	8	1 x 75W	LightTech	¾"	75	65	3,0	
XP03752	UV-C Pro 8L 75W	8	30	15	8	1 x 75W	Philips Smart Cap	2"	100	90	4,0	
BH06402	UV-C Pool Manager 40W	11	30	23	2	1 x 40W	Philips	63	100	77	6,9	
BH06752	UV-C Pool Manager 75W	16	30	23	2	1 x 75W	Philips	63	100	77	7,0	
BH06132	UV-C Pool Manager 130W	22	30	23	2	1 x 130W Amalgam	Philips	63	100	77	7,0	
BH04402	UV-C Copper Ionizer 40W	11	30	23	2	1 x 40W	LightTech	63	100	77	5,0	
BH04752	UV-C Copper Ionizer 75W	16	30	23	2	1 x 75W	LightTech	63	100	77	5,2	
BH05402	UV-C Copper Ionizer+ 40W	11	30	23	2	1 x 40W	LightTech	63	100	77	5,5	
BH05752	UV-C Copper Ionizer+ 75W	16	30	23	2	1 x 75W	LightTech	63	100	77	5,7	
BH03752	Ozone UV-C 75W	18	30	23	2	1 x 75W / Ozone	LightTech	63	100	77	6,0	
BE04112	Compact4Pool	3	30	5	2	1 x 11W	LightTech	40	61	41,5	6,2	
BE01122	UV-C Spa 12W	3	30	13	1	1 x 12W	Philips	50	40,5	17	1,6	
BE01151	UV-C Spa 15W	4	30	13	1	1 x 15W	Philips	50	40,5	17	1,6	





The amalgam version includes a flow switch that will turn off the lamp when the flow is too low. The UV-C Amalgam lamp is not affected by temperature fluctuations in the water and generates a constant, powerful radiation. Amalgam UV-C light is known as being the most powerful UV-C light available on the UV-C market.

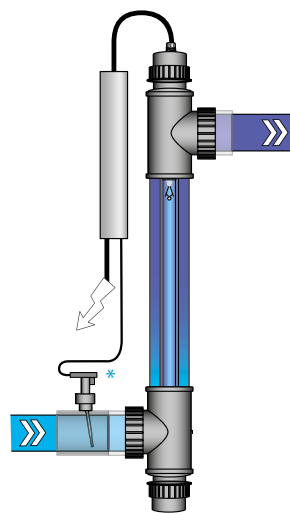
### Advantages of the Blue Lagoon UV-C Tech

- Made in the Netherlands
- A built-in electronic ballast to ensure a smooth power supply
- Up to 35% more UV-C yield as a result of reflection by the interior
- 316L stainless steel housing
- Easy to install and easy to maintain
- Including adapters Ø 63mm to Ø 50mm, 1½" female threaded

### Operation

The Blue Lagoon UV-C Tech will ensure that your pool water is clean, fresh and clear in an efficient and environmentally-friendly manner. The UV-C radiation neutralizes bacteria, viruses and other primitive organisms and stops them from multiplying. This device is able to reduce the chlorine concentration up to 50-80%! In addition, the stainless steel interior ensures the reflection of the UV-C rays, thereby increasing the efficiency up to 35%. Thanks to the Blue Lagoon UV-C Tech, your swimming pool water will be disinfected efficiently

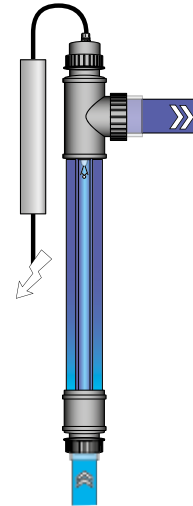
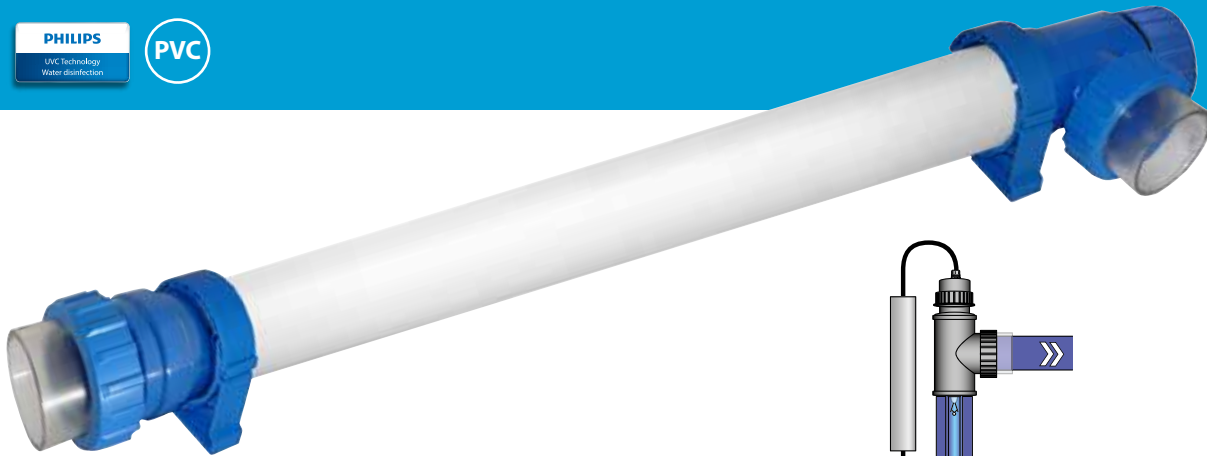
and safely, and the quality of your water will remain excellent. The UV-C Tech 16W, 40W and 75W are equipped with a special T5 UV lamp with a unique socket. The amalgam version (UV-C Tech 130W) includes a flow switch that will turn off the lamp when the flow is too low. The UV-C Amalgam lamp is not affected by temperature fluctuations in the water and generates a constant, powerful radiation. Amalgam UV-C light is known as being the most powerful UV-C light available on the UV-C market. Max. pressure: 2 bar. Please notice the correct grounding!



### Technical specifications

	UV-C TECH 16W	UV-C TECH 40W	UV-C TECH 75W	*UV-C TECH 130W
Type	15.000 /16W	40.000 /40W	75.000 /75W	150.000 /130W
Item code	BE02162	BE02402	BE02752	BE03132
Barcode	8714404034456	8714404034234	8714404034166	8714404029988
Rec. flow	5 m³/h	11 m³/h	16 m³/h	22 m³/h
Performance at rec. flow	30 MJ/cm²	30 MJ/cm²	30 MJ/cm²	30 MJ/cm²
Max. flow	23 m³/h	23 m³/h	23 m³/h	23 m³/h
Max. pressure	2 bar	2 bar	2 bar	2 bar
Diameter unit Ø	72 mm	72 mm	72 mm	72 mm
Length unit	56 cm	100 cm	100 cm	100 cm
Diameter in-outlet Ø	63 mm	63 mm	63 mm	63 mm
Stainless steel	316L	316L	316L	316L
Electronic ballast	230V AC 50/60Hz	230V AC 50/60Hz	230V AC 50/60Hz	230V AC 50/60Hz
Maximum current	0,29A	0,29A	0,57A	1,1A
Lamp wattage	16W	40W	75W	130W
Lamp type	UV-C Tech 16W	UV-C Tech 40W	UV-C Tech 75W	130 Amalgam lamp
Weight	2,8 Kg	3,6 Kg	3,9 Kg	5,0 Kg
Packing size	32,5 x 12 x 55 cm	28 x 12 x 99 cm	28 x 12 x 99 cm	28x12x99 cm
Quantity full pallet	40 pcs	30 pcs	30 pcs	30 pcs
Dosing pump	-	-	-	✓
Flow Switch	-	-	-	✓
UL certified	✓	✓	✓	-

Please refer to page 36 for spare parts



## Advantages of the Blue Lagoon UV-C Saltwater

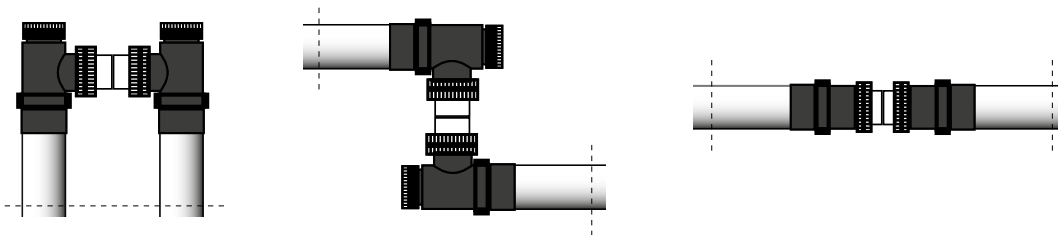
- Made in the Netherlands
- A built-in electronic ballast to ensure a smooth power supply
- Especially developed for saltwater pools
- Philips T5 Smart Cap lamp included
- PVC-housing
- UV-C rays reduce bound chlorine
- Easy installation and maintenance
- Including adapters Ø 63mm to Ø 50mm, 1½" female threaded

## Operation

The Blue Lagoon UV-C Saltwater is especially developed for saltwater and seawater pools (salt electrolysis). Thanks to the special white PVC-housing the salt has no corrosive influence. The device comes with a high-frequency transformer. This transformer minimizes current fluctuations

to protect the lamp. With the Blue Lagoon Saltwater UV-C you can disinfect your water in an efficient and save way. The result is an excellent water quality. The union at the bottom allows 360° connection flexibility. This is ideal for corner installations, or for combination with other lamps.

## Installation examples



## Technical specifications

	UV-C SALTWATER 40W	UV-C SALTWATER 75W		UV-C SALTWATER 40W	UV-C SALTWATER 75W
Type	40.000 /40W	75.000 /75W	Diameter in-outlet Ø	63 mm	63 mm
Item code	BE06402	BE06752	Electronic ballast	230V AC 50/60Hz	230V AC 50/60Hz
Barcode	8714404043489	8714404043496	Maximum current	0,29A	0,57A
Rec. flow	9 m³/h	14 m³/h	Lamp wattage	40W	75W
Performance at rec. flow	30 MJ/cm²	30 MJ/cm²	Lamp type	Philips Smart Cap 40W	Philips Smart Cap 75W
Max. flow	23 m³/h	23 m³/h	Weight	3,0 Kg	3,2 Kg
Max. pressure	2 bar	2 bar	Packing size	28 x 12 x 99 cm	28 x 12 x 99 cm
Diameter unit Ø	72 mm	72 mm	Quantity full pallet	30 pcs	30 pcs
Length unit	100 cm	100 cm			

Please refer to page 36 for spare parts

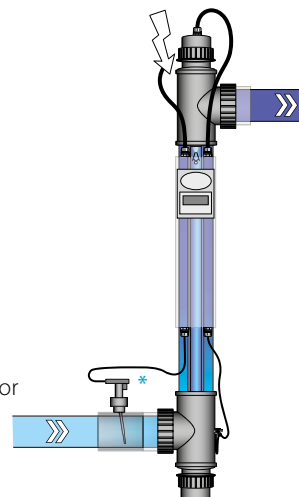
# UV-C Timer



The amalgam version includes a flow switch that will turn off the lamp when the flow is too low. The UV-C Amalgam lamp is not affected by temperature fluctuations in the water and generates a constant, powerful radiation. Amalgam UV-C light is known as being the most powerful UV-C light available on the UV-C market.

## Advantages of the Blue Lagoon UV-C Timer

- Made in the Netherlands
- Timer function that indicates the remaining lifetime of the lamp
- A built-in electronic ballast to ensure a smooth power supply
- Up to 35% more UV-C yield as a result of reflection by the Stainless Steel interior
- 316L stainless steel housing
- Easy to install and easy to maintain
- Comes with Ø63mm to Ø50mm fittings, 1½" female threaded



## Operation

The Blue Lagoon UV-C Timer has a built-in High-frequency electronic ballast. This ballast will capture current electronic fluctuations to protect the lamp. In addition, the device contains an integrated timer that accurately monitors the number of operating hours. You can therefore see exactly when the lamp must be replaced. Thanks to the Blue Lagoon UV-C Timer your swimming pool water will be disinfected efficiently, safely, and the quality of your water will remain

excellent. The UV-C radiation neutralizes bacteria, viruses and other primitive organisms and stops them from multiplying. This device is able to reduce the chlorine concentration up to 50-80%! Max. pressure: 2 bar. Connections: Ø63mm. The amalgam version includes a flow switch that will turn off the lamp when the flow is too low. Amalgam UV-C light is known as being the most powerful UV-C light available on the UV-C market. Please notice the correct grounding!

## Technical specifications

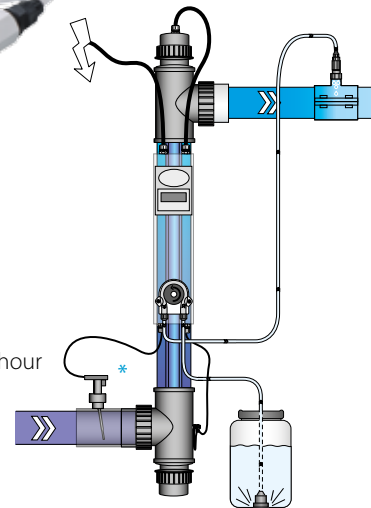
	UV-C TIMER 40W	UV-C TIMER 75W	*UV-C TIMER 130W
Type	40.000 /40W	75.000 /75W	150.000 /130W
Item code	BH01402	BH01752	BH01132
Barcode	8714404034319	8714404034388	8714404034654
Rec. flow	11 m³/h	16 m³/h	22 m³/h
Performance at rec. flow	30 MJ/cm²	30 MJ/cm²	30 MJ/cm²
Max. flow	23 m³/h	23 m³/h	23 m³/h
Max. pressure	2 bar	2 bar	2 bar
Diameter unit Ø	72 mm	72 mm	72 mm
Length unit	100 cm	100 cm	100 cm
Diameter in-outlet Ø	63 mm	63 mm	63 mm
Stainless steel	316L	316L	316L
Electronic ballast	230V AC 50/60Hz	230V AC 50/60Hz	230V AC 50/60Hz
Maximum current	0,29A	0,57A	1,1A
Lamp wattage	40W	75W	130W
Lamp type	Philips TUV 36T5 4P-SE (40 Watt)	Philips TUV 36T5 HO 4P-SE (75 Watt)	Philips TUV 130 Watt 4P-SE Amalgam
Copper ionizer	-	-	-
Ozone	-	-	-
Timer	✓	✓	✓
Replace lamp alert	✓	✓	✓
Dosing pump	-	-	-
Flow switch	-	-	✓
Weight	4,1 Kg	4,3 Kg	4,5 Kg
Packing size	28x15x101 cm	28x15x101 cm	28x15x101 cm
Quantity full pallet	24 pcs	24 pcs	24 pcs

Please refer to page 37 for spare parts



## Advantages of the UV-C Timer +

- Made in the Netherlands
- A built-in electronic ballast to ensure a smooth power supply
- Integrated and adjustable hour meter for the UV-C lamp
- Indication when the lamp and dosing pump needs replacing
- Dosage of up to 60ml an hour, dosage separately adjustable for each hour
- Controllable on/off status for the UV-C lamp
- Neoprene hose and suction and injection nipples supplied
- 316L stainless steel housing
- Comes with Ø63mm to Ø50mm fittings, 1½" female threaded



The amalgam version includes a flow switch that will turn off the lamp when the flow is too low. The UV-C Amalgam lamp is not affected by temperature fluctuations in the water and generates a constant, powerful radiation. Amalgam UV-C light is known as being the most powerful UV-C light available on the UV-C market.

## Operation

The Blue Lagoon Timer + is equipped with the ideal peristaltic pump, for the dosing of a liquid solution into the piping system of your pool. Thanks to the neoprene hose, it is possible to add various kinds of chemical solutions into your pool water. It's possible to dose up to 60cc per hour. In addition, it is possible to change the dosage every hour by operating the button underneath the display. The UV-C radiation neutralizes bacteria, viruses and other primitive

organisms and stops them from multiplying. This device is able to reduce the chlorine concentration up to 50-80%! Max. pressure: 2 bar. Connection: Ø63mm. The amalgam version includes a flow switch that will turn off the lamp when the flow is too low. Amalgam UV-C light is known as being the most powerful UV-C light available on the UV-C market. Please notice the correct grounding!

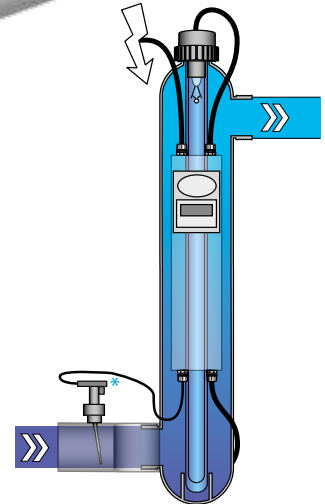
## Technical specifications

	UV-C TIMER+ 40W	UV-C TIMER+ 75W	*UV-C TIMER+ 130W
Type	40.000 /40W	75.000 /75W	150.000 /130W
Item code	BH02402	BH02752	BH02132
Barcode	8714404038911	8714404038928	8714404038935
Rec. flow	11 m <sup>3</sup> /h	16 m <sup>3</sup> /h	22 m <sup>3</sup> /h
Performance at rec. flow	30 MJ/cm <sup>2</sup>	30 MJ/cm <sup>2</sup>	30 MJ/cm <sup>2</sup>
Max. flow	23 m <sup>3</sup> /h	23 m <sup>3</sup> /h	23 m <sup>3</sup> /h
Max. pressure	2 bar	2 bar	2 bar
Diameter unit Ø	72 mm	72 mm	72 mm
Length unit	100 cm	100 cm	100 cm
Diameter in-outlet Ø	63 mm	63 mm	63 mm
Stainless steel	316L	316L	316L
Electronic ballast	230V AC 50Hz	230V AC 50Hz	230V AC 50Hz
Maximum current	0,29A	0,57A	1,1A
Lamp wattage	40W	75W	130W
Lamp type	Philips TUV 36T5 4P-SE (40 Watt)	Philips TUV 36T5 HO 4P-SE (75 Watt)	Philips TUV 130 Watt 4P-SE Amalgam
Timer	✓	✓	✓
Replace lamp alert	✓	✓	✓
Dosing pump	✓	✓	✓
Flow switch	-	-	✓
Weight	4,5 Kg	4,8 Kg	4,9 Kg
Packing size	28x15x101 cm	28x15x101 cm	28x15x101 cm
Quantity full pallet	24 pcs	24 pcs	24 pcs

Please refer to page 38 for spare parts



The UV-C Pro includes a flow switch that will turn off the lamp when the flow is too low. The UV-C Pro 130W includes an amalgam lamp. The UV-C Amalgam lamp is not affected by temperature fluctuations in the water and generates a constant, powerful radiation. Amalgam UV-C light is known as being the most powerful UV-C light available on the UV-C market.



## Advantages of the Blue Lagoon UV-C Pro

- Made in the Netherlands
- A built-in electronic ballast to ensure a smooth power supply
- Up to 35% more UV-C yield as a result of reflection
- Philips UV-C lamp
- A flow switch will turn off the lamp at insufficient water flow
- Integrated adjustable time meter for the UV-C lamp
- Digital indication when the lamp needs replacing
- Complete 316L stainless steel housing
- Easy installation and maintenance

## Operation

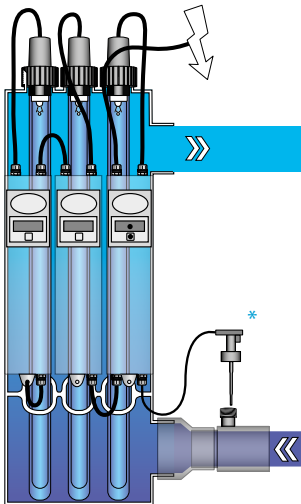
The Blue Lagoon UV-C Pro has a built-in high-frequency electronic ballast, which absorbs current fluctuations, thereby protecting the lamp. Thanks to the Blue Lagoon UV-C Pro, your swimming pool water will be disinfected efficiently and safely, and the quality of your water will remain excellent. The UV-C radiation neutralizes bacteria, viruses and other primitive organisms and stops them

from multiplying. This device is able to reduce chlorine concentration up to 50-80%! The UV-C Pro includes a flow switch that will turn off the lamp when the flow is too low. Amalgam UV-C light is known as being the most powerful UV-C light available on the UV-C market. Connection: 2" male threaded. Please notice the correct grounding!

## Technical specifications

	UV-C PRO 75W	UV-C PRO 130W		UV-C PRO 75W	UV-C PRO 130W
Type	75.000 /75W	150.000 /130W	Maximum current	0,57A	1,1A
Item code	BP02752	BP02132	Lamp wattage	75W	130W
Barcode	8714404038669	8714404038676	Lamp type	Philips TUV 36T5 HO 4P-SE (75 Watt)	Philips TUV 130 Watt 4P-SE Amalgam
Rec. flow	18 m <sup>3</sup> /h	22 m <sup>3</sup> /h	Copper ionizer	-	-
Performance at rec. flow	30 MJ/cm <sup>2</sup>	30 MJ/cm <sup>2</sup>	Ozone	-	-
Max. flow	23 m <sup>3</sup> /h	23 m <sup>3</sup> /h	Timer	✓	✓
Max. pressure	5 bar	5 bar	Replace lamp alert	✓	✓
Diameter unit Ø	120 mm	120 mm	Dosing pump	-	-
Length unit	100 cm	100 cm	Flow switch	✓	✓
Diameter in-outlet Ø	2" Male thr.	2" Male thr.	Weight	7,2 Kg	7,3 Kg
Stainless steel	316L	316L	Packing size	26,5x19x106,5 cm	26,5x19x106,5 cm
Electronic ballast	230V AC 50/60Hz	230V AC 50/60Hz	Quantity full pallet	21 pcs	21 pcs

Please refer to page 39 for spare parts



The amalgam version includes a flow switch that will turn off the lamp when the flow is too low. The UV-C Amalgam lamp is not affected by temperature fluctuations in the water and generates a constant, powerful radiation. Amalgam UV-C light is known as being the most powerful UV-C light available on the UV-C market.

## Advantages of the Blue Lagoon UV-C Pro Buster

- Made in the Netherlands
- A built-in electronic ballast to ensure a smooth power supply
- Up to 35% more UV-C yield as a result of reflection
- 3 powerful 130 Watt Amalgam lamps
- A flow switch will turn off the lamp at insufficient water flow
- Integrated adjustable timer for the UV-C lamp
- Digital indication when the lamp needs replacing
- Complete 316L stainless steel housing
- Easy installation and maintenance

## Operation

The Blue Lagoon UV-C Pro Buster exists of 3 powerful 130 Watt UV-C Amalgam lamps and is therefore suitable for large pools. The Pro Buster includes a flow switch that turns off the lamp at too low flow. Amalgam UV-C is known as the most powerful UV-C light on the UV-C market! Thanks to the Blue Lagoon

UV-C Pro Buster your water will be disinfected in an efficient and safe way and you'll retain an excellent water quality. This device is able to reduce the chlorine concentration up to 50-80%! Connection: 3" male threaded. Please notice the correct grounding!

## Technical specifications

UV-C PRO BUSTER	
Type	450.000 /3x130W
Item code	BP06132
Barcode	8714404039086
Rec. flow	35 m <sup>3</sup> /h
Performance at rec. flow	30 MJ/cm <sup>2</sup>
Max. flow	37 m <sup>3</sup> /h
Max. pressure	10 bar
Diameter unit Ø	158 mm
Length unit	95 cm
Diameter in-outlet Ø	3" Male thr.
Stainless steel	316L
Electronic ballast	230V AC 50/60Hz
Maximum current	3x1,1A

UV-C PRO BUSTER	
Lamp wattage	3x130W
Lamp type	Philips TUV 130 Watt 4P-SE Amalgam
Copper	-
Ozone	-
Timer	✓ (3x)
Replace lamp alert	✓ (3x)
Dosing pump	-
Flow switch	✓
Weight	16,7 Kg
Packing size	115x36,5x36,5 cm
Quantity full pallet	8 pcs

Please refer to page 39 for spare parts



1,63 mtr.



The Amalgam lamps are not affected by temperature fluctuations in the water. Amalgam UV-C lamps are used for highest efficiency over wide temperature range and are known for being the most powerful short-wave UV-C radiation available on the UV-C market.

### Advantages of the Xclear Master Blaster UV-C

- High quality of manufacturing and high disinfecting performance
- The use of low pressure amalgam lamps to achieve required performance levels irrespective of the temperature of the water
- Dedicated electronic ballasts guaranteeing maximum lamp UV efficiency and integrated control
- Customization of the device to your own specifications is possible
- Extreme high quality lamps and housing for an affordable price
- Including UV sensor controller cabinet
- Includes 3 or 6 325 Watt Amalgam UV-C lamps
- Reactor made of HDPE in combination with stainless steel 316L
- Easy installation and maintenance

### Operation

The Master Blaster is designed to treat highly polluted water. It is suited for all kind of water treatment and can even be used for the production of ultra-pure water, semiconductor-, pharmaceutical- and cosmetic industry. Other applications: swimming pools, process water treatment and aquaculture. The reactor is made of HDPE with two flanged connectors. The unit uses three or six high performance 325 watt low pressure amalgam UV-C lamps, electronic ballasts, an alarm indicator light and a UV sensor at 254 nm. All electronic components come in a separate controller cabinet. In the Master Blaster, a UV-C radiation with a

wavelength of 253.7 nm is generated by the special Amalgam UV-C lamps, ensuring a lethal effect on micro-organisms. The Master Blaster will ensure that your water is clean, fresh and clear in an efficient and environmentally-friendly manner. The Xclear UV-C Master Blaster has a built-in high frequency electronic ballast, which absorbs current fluctuations, thereby protecting the lamp. Thanks to the Xclear UV-C Master Blaster, your swimming pool water will be disinfected efficiently and safely, and the quality of your water will remain excellent. The Xclear UV-C Master Blaster can be used for fresh water and salt water, even sea water.

### Technical specifications

	MASTER BLASTER 3 X 325W	MASTER BLASTER 6 X 325W
Item No.	XP0733252	XP0763252
Max. Flow rate in m <sup>3</sup> /h	150	250
Connection DN	150	200
Connection mm	160	225
Performance in millijoules/cm <sup>2</sup> at actual recommended flow rates	44	50
UV-C lamp	3x 325W	6x 325W
Height of reactor in mm	1630	1630
Diameter of reactor in mm	315 x 7.7	315 x 7.7

# Flow-Matic

Automatic backwash system for sand filters



Automatic backwash system suited for all side mounted sand filters



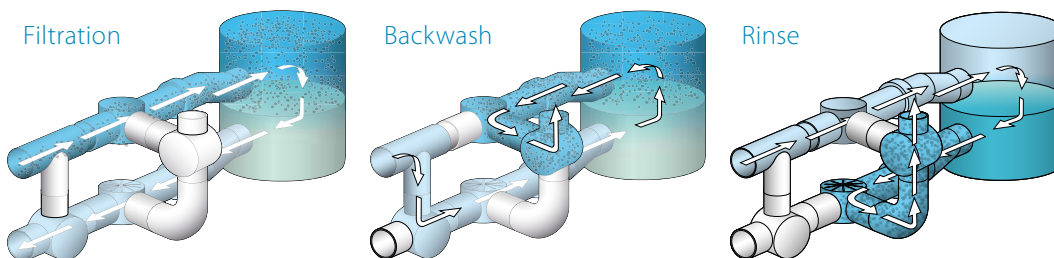
## Advantages of the Blue Lagoon Flow-Matic

- Made in the Netherlands
- Replaces traditional multiport valves
- Reduces pressure loss significantly
- Backwash en rinse duration are programmable
- Chemical resistant
- Easy installation and maintenance

## Operation

The Blue Lagoon Flow-Matic is an automatic backwashing system that fits on all side mounted sand filters. It replaces the traditional multiport valve and will reduce the total pressure loss due to its unique flow design. The Flow-Matic had 4 automatic 3-way valves and a touch screen controller. The controller automatically starts/stops the circulation pump and operates the valves for backwash, rinse

and filter positions. The user can decide how often the Flow-Matic performs a backwash. Besides the automatic backwash function the user can activate an extra backwash at any time by touching the backwash function in the controller. Backwash and rinse duration can be defined by the end user. Manual functions for recirculation and draining to waste are also available in the controller.



## Technical specifications

### BLUE LAGOON FLOW-MATIC

Item code	4050000
Operating elements	LCD touch-screen display
Dimensions unit	55 x 45 x 35 cm
Diameter in-outlet	63 mm
Material	ABS
Supply Voltage	230V AC 50/60Hz
Max. power circulation pump:	2.000 VA
Automatic valves	24V
IP certification	IP54
Maximum flow	25.000 l/h
Max. pressure	1,5 bar

## Including

- Waste and circulation function
- Power supply / connection for a UV-C device
- Automatic UV-C lamp switch off, during backwash process
- UV-C lamp timer function
- A low-energy / frequency controlled pump connection (Blue Eco). Adjustable for different capability, filtering and backwashing

Please refer to page 40 for spare parts



### Advantages of the UV-C Pro 3S

- Made in the Netherlands
- Timer function that indicates the remaining lifetime of the lamp
- A built-in electronic ballast to ensure a smooth power supply
- Up to 35% more UV-C yield as a result of reflection
- Complete 316L stainless steel housing
- Easy installation and maintenance

### Operation

The UV-C Pro 3S is equipped with a total 316L stainless steel housing and a ¾" male threaded connection. The design of the housing takes care of an optimal installation flexibility. In the UV-C Pro 3S a UV-C radiation of 253,7nm wave length is generated with an amalgam Lamp. Amalgam UV-C light is known as being the most powerful UV-C light available on the UV-C market. Algae, bacteria and pathogens get no chance to develop (among

them the legionella bacteria). The UV-C Pro 3S is provided with a high frequency transformer. This transformer prevents current fluctuations to protect the lamp. The 316L stainless steel inner housing reflects UV-C radiation for about 35% more efficiency. These lamps are also appropriate for the use in professional areas such as agriculture/horticulture, industry and water treatment. Length: 47,5 cm.

### Technical specifications

	PRO 3S 40W AMALGAM	PRO 3S 40W
Item code	XP04402	XP04402.1
Rec. flow	3 m <sup>3</sup> /h	3 m <sup>3</sup> /h
Performance at rec. flow	30 MJ/cm <sup>2</sup>	30 MJ/cm <sup>2</sup>
Max. flow	5 m <sup>3</sup> /h	5 m <sup>3</sup> /h
Max. pressure	8 bar	8 bar
Diameter unit Ø	70 mm	70 mm
Length unit	47,5cm	47,5cm
Diameter in-outlet	¾" male thr.	¾" male thr.
Stainless Steel	316L	316L
Supply Voltage	230V AC 50/60Hz	230V AC 50/60Hz
Maximum current	0,29A	0,29A
Lamp wattage	40W	40W
Lamp type	T5 40 watt Amalgam	T5 40 watt
Timer	✓	✓
Replace lamp alert	✓	✓
Flow Switch	-	-
Weight	2,3 Kg	2,3 Kg



## Advantages of the UV-C Pro 3L

- Made in the Netherlands
- Timer function that indicates the remaining lifetime of the lamp
- A built-in electronic ballast to ensure a smooth power supply
- Up to 35% more UV-C yield as a result of reflection
- Complete 316L stainless steel housing
- Easy installation and maintenance

## Operation

The UV-C Pro 3L is equipped with a total 316L stainless steel housing and a 3/4" male threaded connection. The design of the housing takes care of an optimal installation flexibility. In the UV-C Pro 3L a UV-C radiation of 253,7nm wave length is generated with a special UV-C lamp. Algae, bacteria and pathogens get no chance to develop (among them the legionella bacteria). The UV-C Pro 3L is

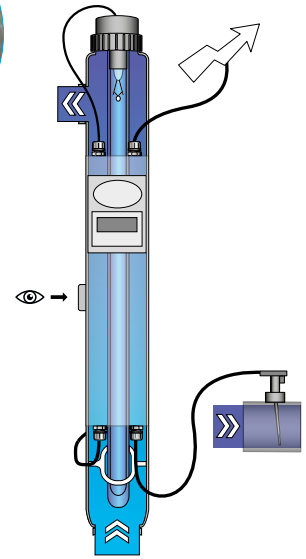
provided with a high frequency transformer. This transformer prevents current fluctuations to protect the lamp. The 316L stainless steel inner housing reflects UV-radiation for about 35% more efficiency. These lamps are also appropriate for the use in professional areas such as agriculture/horticulture, industry and water treatment. Length: 75 cm.

## Technical specifications

PRO 3L 75 WATT	
Item code	XP05752
Rec. flow	5 m <sup>3</sup> /h
Performance at rec. flow	30 MJ/cm <sup>2</sup>
Max. flow	5 m <sup>3</sup> /h
Max. pressure	8 bar
Diameter unit Ø	70 mm
Length unit	75 cm
Diameter in-outlet	3/4" male thr.
Stainless Steel	316L
Supply Voltage	230V AC 50/60Hz
Maximum current	0,57A
Lamp wattage	75W
Lamp type	T5 lamp 75 watt
Timer	✓
Replace lamp alert	✓
Flow Switch	-
Weight	3,0 Kg

Please refer to page 41 for spare parts

# UV-C Pro 8L



## Advantages of the UV-C Pro 8L

- Made in the Netherlands
- Timer function that indicates the remaining lifetime of the lamp
- A built-in electronic ballast to ensure a smooth power supply
- Up to 35% more UV-C yield as a result of reflection
- A flow switch will turn off the lamp at insufficient water flow
- Integrated adjustable time meter for the UV-C lamp
- Digital indication when the lamp needs replacing
- Complete 316L stainless steel housing
- Easy installation and maintenance

## Operation

The UV-C Pro 8L is equipped with a total 316L stainless steel housing and a 2" male threaded connection. The design of the housing takes care of an optimal installation flexibility. In the UV-C Pro 8L a UV-C radiation of 253,7nm wave length is generated with a Philips Smart Cap lamp. Algae, bacteria and pathogens get no chance to develop (among them the legionella bacteria). The UV-C Pro 8L is provided with a high frequency transformer. This transformer prevents current fluctuations to

protect the lamp. The inner housing 316L stainless steel reflects UV-radiation for about 35% more efficiency. The build in timer allows you to switch the lamp on/off per hour and keeps count for the amount of hours the lamp has been used to indicate the time of replacement. The UV-C Pro 8L is also appropriate for the use in professional areas such as agriculture/horticulture, industry and water treatment. Length: 100 cm. Provided with the newest Philips Smart Cap technology for optimal safety!

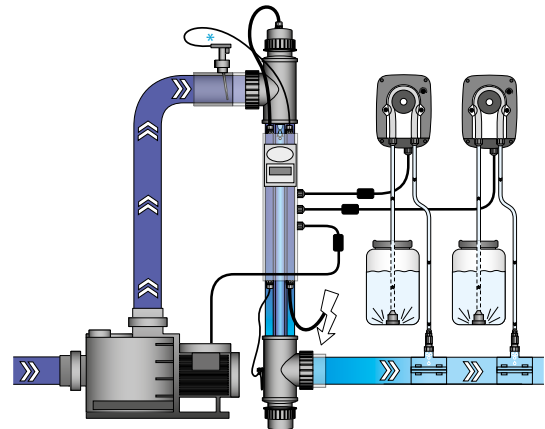
## Technical specifications

	<b>PRO 8L 75W</b>
Item code	XP03752
Rec. flow	8 m <sup>3</sup> /h
Performance at rec. flow	30 MJ/cm <sup>2</sup>
Max. flow	15 m <sup>3</sup> /h
Max. pressure	8 bar
Diameter unit Ø	70 mm
Length unit	100 cm
Diameter in-outlet	2" male thr.
Stainless Steel	316L
Supply Voltage	230V AC 50/60Hz
Maximum current	0,57A
Lamp wattage	75W
Lamp type	Philips T5 Smart Cap lamp 75 watt
Timer	✓
Replace lamp alert	✓
Flow Switch	✓
Weight	4,0 Kg



## Advantages of the Blue Lagoon UV-C Pool Manager

- Made in the Netherlands
- A built-in electronic ballast to ensure a smooth power supply
- A flow switch will turn off the lamp at insufficient water flow
- Up to 35% more UV-C yield as a result of reflection
- Integrated adjustable time meter for the UV-C lamp
- Digital indication when the lamp needs replacing
- Integrated adjustable control for a pool pump
- Integrated adjustable control for two dosing pumps
- Comes with 2 dosing pumps
- 316L stainless steel housing
- Easy installation and maintenance



## Operation

The Blue Lagoon UV-C Pool Manager has an integrated control panel. With this panel, you can adjust the running hours of the pool pump, and the dose rate of the dosing pumps in seconds. Thanks to the Blue Lagoon UV-C Pool Manager, your swimming pool water will be disinfected efficiently and safely, and the quality of your water will remain excellent. The Blue Lagoon UV-C Pool Manager will ensure that your pool water is clean, fresh and clear in an efficient and environmentally-friendly manner. The

UV-C radiation neutralizes bacteria, viruses and other primitive organisms and stops them from multiplying. This can reduce the concentration of chlorine up to 50 - 80%! Max. pressure: 2 bar. Connections: Ø63mm. The UV-C Pool Manager includes a flow switch that will turn off the lamp at insufficient water flow. Amalgam UV-C light is known as being the most powerful UV-C light available on the UV-C market. Please notice the correct grounding!

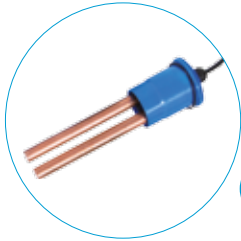


## Caractéristiques techniques

	UV-C POOL MAN. 40W	UV-C POOL MAN. 75W	UV-C POOL MAN. 130W
Type	40.000 /40W	75.000 /75W	150.000 /130W
Référence	BH06402	BH06752	BH06132
Code-barres	8714404038638	8714404038621	8714404038614
Debit rec.	11 m <sup>3</sup> /h	16 m <sup>3</sup> /h	22 m <sup>3</sup> /h
Performance aux debits rec.	30 MJ/cm <sup>2</sup>	30 MJ/cm <sup>2</sup>	30 MJ/cm <sup>2</sup>
Debit max.	23 m <sup>3</sup> /h	23 m <sup>3</sup> /h	23 m <sup>3</sup> /h
Pression max.	2 bar	2 bar	2 bar
Diamètre de l'appareil Ø	72 mm	72 mm	72 mm
Longueur de l'appareil	100 cm	100 cm	100 cm
Raccord Ø	63 mm	63 mm	63 mm
Inox	316L	316L	316L
Ballast électronique	230V AC 50Hz	230V AC 50Hz	230V AC 50Hz
Courant électrique max.	0,29A	0,57A	1,1A
Lampe (W)	40W	75W	130W
Type de lampe	Philips TUV 36T5 4P-SE (40 Watts)	Philips TUV 36T5 HO 4P-SE (75 Watts)	Philips TUV 130 Watts 4P-SE Amalgame
Ioniseur cuivre	-	-	-
Ozone	-	-	-
Compteur horaire	✓	✓	✓
Remplacer de la lampe d'alerte	✓	✓	✓
Pompe de dosage	✓	✓	✓
Contacteur de flux	✓	✓	✓
Poids	6,9 kg	7,0 Kg	7,0 Kg
Dim. de l'emballage	27x19x106 cm	27x19x106 cm	27x19x106 cm
Quantité sur palette	21 pcs	21 pcs	21 pcs

Please refer to page 42 for spare parts

# UV-C Copper Ionizer



### What is the disinfection mechanism of copper ionization?

Electrically charged copper ions (Cu<sup>2+</sup>) in the water search for particles of opposite polarity, such as bacteria, viruses and fungi. Positively charged copper ions form electrostatic compounds with negatively charged cell walls of microorganisms. These compounds disturb cell wall permeability and cause nutrient uptake to fail. As a result, bacteria are no longer able to multiply and eventually die. The ions remain active until they are absorbed by a microorganism.

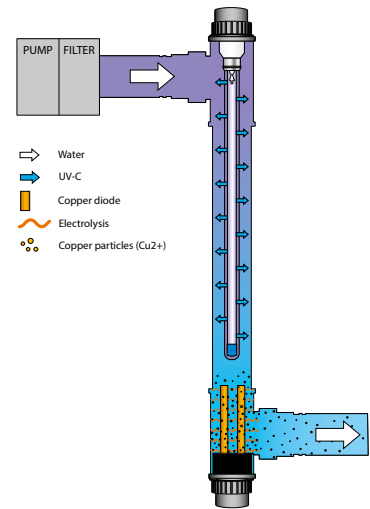
### Advantages of the Blue Lagoon UV-C Copper Ionizer

- Made in the Netherlands
- A built-in electronic ballast to ensure a smooth power supply
- Enables swimming without the use of chlorine
- Up to 35% more UV-C yield as a result of reflection
- Easy installation and maintenance
- Comes with Ø63mm to Ø50mm fittings, 1½" female threaded

### Operation

This revolutionary combination of UV-C and copper electrolysis means you can have a chlorine-free pool! With the Blue Lagoon UV-C Copper Ionizer you have to test your pool water once every two weeks. You only need to test your water values with the supplied test strips and, if necessary, adjust the device to the correct level. Other ionizer

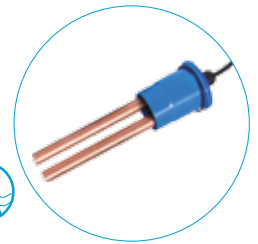
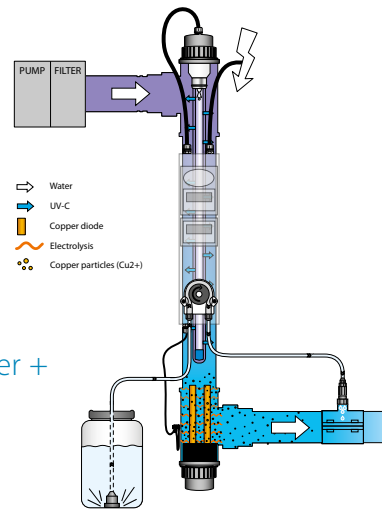
systems dose approximately 2 ppm copper in your pool water. With Blue Lagoon UV-C Copper Ionizer, a dose of 0,7 ppm will be enough to fully and safely disinfect your pool. This device is able to reduce the chlorine concentration up to 100%! Max. copper: 0,7 ppm. Connections: Ø63mm. Please notice correct grounding!



### Technical specifications

	UV-C COPPER IONIZER 40W	UV-C COPPER IONIZER 75W	UV-C COPPER IONIZER 40W	UV-C COPPER IONIZER 75W
Type	40.000 /40W	75.000 /75W	230V AC 50/60Hz	230V AC 50/60Hz
Item code	BH04402	BH04752	0,29A	0,57A
Barcode	8714404034241	8714404036689	40W	75W
Rec. flow	11 m <sup>3</sup> /h	16 m <sup>3</sup> /h	UV-C 40W	UV-C 75W
Performance at rec. flow	30 MJ/cm <sup>2</sup>	30 MJ/cm <sup>2</sup>	✓ - 0,7 ppm	✓ - 0,7 ppm
Max. flow	23 m <sup>3</sup> /h	23 m <sup>3</sup> /h	Ozone	-
Max. pressure	2 bar	2 bar	Timer	-
Diameter unit Ø	72 mm	72 mm	Replace lamp alert	✓
Length unit	100 cm	100 cm	Weight	5,2 Kg
Diameter in-outlet Ø	63 mm	63 mm	Packing size	28x15x101 cm
Stainless steel	316L	316L	Quantity full pallet	24 pcs

Please refer to page 43 for spare parts



### What is the disinfection mechanism of copper ionization?

Electrically charged copper ions (Cu<sup>2+</sup>) in the water search for particles of opposite polarity, such as bacteria, viruses and fungi. Positively charged copper ions form electrostatic compounds with negatively charged cell walls of microorganisms. These compounds disturb cell wall permeability and cause nutrient uptake to fail. As a result, bacteria are no longer able to multiply and eventually die. The ions remain active until they are absorbed by a microorganism.

## Advantages of the Blue Lagoon UV-C Copper Ionizer +

- Made in the Netherlands
- A built-in electronic ballast to ensure a smooth power supply
- Enables swimming without the use of chlorine
- Up to 35% more UV-C yield as a result of reflection
- Dosages of up to 60 cc an hour
- Dosage separately adjustable for each hour
- Neoprene hose
- Suction and injection nipples supplied
- Easy installation and maintenance
- Comes with Ø63mm to Ø50mm fittings, 1½" female threaded

## Operation

The Blue Lagoon Ionizer+ is technically identical to the Ionizer described at the previous page, but equipped with a dosing pump to dose liquids in the pipe system of your swimming pool. Thanks to the neoprene hose it is possible to add various kinds of chemical solutions into your pool water. Hydrogen peroxid works very well in combination with copper

electrolysis. The dosing pump can also be used for dosing any liquid product like phosphate binders, Ph+/Ph- products, etc. into the pool. A dosage of up to 60ml an hour is possible. In addition, it is possible to change the dosage every hour by operating the push button underneath the display. Connections: Ø63mm. Please notice the correct grounding!

## Technical specifications

	UV-C COPPER IONIZER+ 40W	UV-C COPPER IONIZER+ 75W		UV-C COPPER IONIZER+ 40W	UV-C COPPER IONIZER+ 75W
Type	40.000 /40W	75.000 /75W	Electronic ballast	230V AC 50/60Hz	230V AC 50/60Hz
Item code	BH05402	BH05752	Maximum current	0,29A	0,57A
Barcode	8714404034241	8714404036689	Lamp wattage	40W	75W
Rec. flow	11 m <sup>3</sup> /h	16 m <sup>3</sup> /h	Lamp type	UV-C 40W	UV-C 75W
Performance at rec. flow	30 MJ/cm <sup>2</sup>	30 MJ/cm <sup>2</sup>	Copper ionizer	✓ - 0,7 ppm	✓ - 0,7 ppm
Max. flow	23 m <sup>3</sup> /h	23 m <sup>3</sup> /h	Ozone	-	-
Max. pressure	2 bar	2 bar	Timer	-	-
Diameter unit Ø	72 mm	72 mm	Replace lamp alert	✓	✓
Length unit	100 cm	100 cm	Weight	5,5 Kg	5,7 Kg
Diameter in-outlet Ø	63 mm	63 mm	Packing size	28x15x101 cm	28x15x101 cm
Stainless steel	316L	316L	Quantity full pallet	24 pcs	24 pcs

Please refer to page 44 for spare parts



The lamp has a double function, producing ozone and UV-C light at the same time. The ozone particles in the water are completely broken down again by the UV-C device immediately after they have completed their function. This takes place because the ozone is mixed with water as it passes through the lamp for the second time.

### Advantages of the Blue Lagoon Ozone UV-C

- Made in the Netherlands
- A built-in electronic ballast to ensure a smooth power supply
- Up to 35% more UV-C yield as a result of reflection
- 100% effective in constant operation
- 316L Stainless steel housing
- The Ozone UV-C lamp will last 4.000 hours (appr. 2 swimming seasons)
- The device will indicate when the lamp needs replacing
- Easy installation and maintenance

### Operation

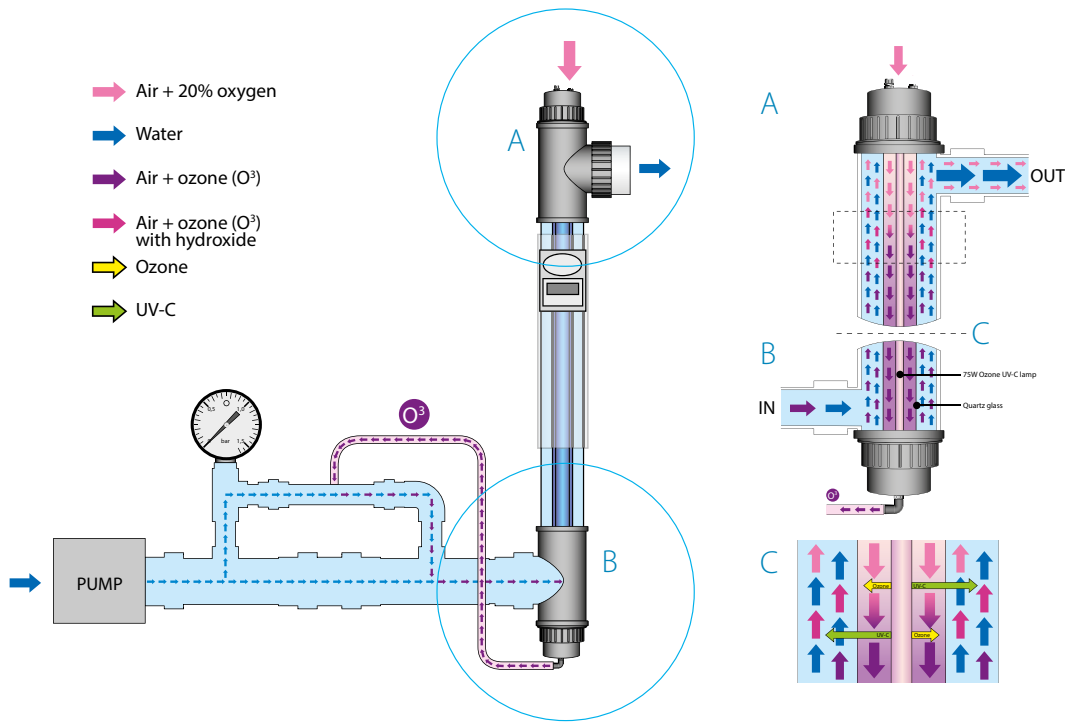
This revolutionary combination of ozone and UV-C makes a pool with a minimal amount of chlorine possible! With this Blue Lagoon Ozone UV-C unit on your pool system you're able to keep your pool water fresh, crystal clear and especially hygienic clean. This device is able to reduce the chlorine concentration up to 50-80%! You connect the "Blue Lagoon Ozone UV-C" on to your swimming pool system. Using a pump, the water is pumped into the unit through the supplied reactor. Because of the water pressure in the reactor, air is sucked through the Venturi system. Air is sucked into the unit via the air valve and flows through the area between the quartz glass and the ozone UV-C lamp. Because air enters the unit via the lamp, it becomes loaded with ozone particles

that were generated by the special ozone UV-C lamp, which produces 0.6 grams of ozone. After it has passed the ball valve, the ozone enriched air is then mixed with water in the reactor. The oxidation and sterilisation take place here, and a powerful disinfection process is achieved. The water-ozone mixture is then exposed to the UV-C radiation of the lamp. The lamp has a double function, producing ozone and UV-C light at the same time. The ozone particles in the water are completely broken down again by the UV-C device immediately after they have completed their function. This takes place because the ozone is mixed with water as it passes through the lamp for the second time. Connections: Ø63mm. Please notice the correct grounding!

### Technical specifications

UV-C OZONE 75W	
Type	75.000 /75W
Item code	BH03752
Barcode	8714404034944
Rec. flow	18 m <sup>3</sup> /h
Performance at rec. flow	30 MJ/cm <sup>2</sup>
Max. flow	23 m <sup>3</sup> /h
Max. pressure	2 bar
Diameter unit Ø	72 mm
Length unit	100 cm
Diameter in-outlet Ø	63 mm
Stainless steel	316L
Electronic ballast	230V AC 50/60Hz

UV-C OZONE 75W	
Maximum current	0,57A
Lamp wattage	75W
Lamp type	Ozone lamp 75W
Copper ionizer	-
Ozone	✓ - 0,6 gr/h
Timer	✓
Replace lamp alert	✓
Dosing pump	-
Flow switch	-
Weight	6,0 Kg
Packing size	37x13x111 cm
Quantity full pallet	24 pcs



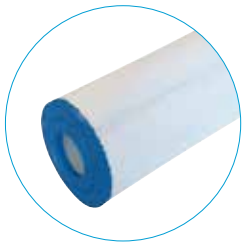
The optimal life-span of the T5 lamp regarding UV-C is ± 9000 hours. For the ozone producing part this is about 4000 hours. After this period of time the intensity decreases. When you replace the lamp (for example) in March there will be enough ozone-production for the whole season (for example March to September) and there will be enough UV-C radiation for a whole year.



# Compact4pool



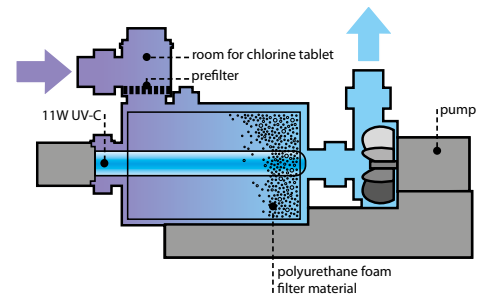
Standard foam filter cartridge included.



Optional: Also separate cartridge available.

## Advantages of the Blue Lagoon Compact4Pool

- Made in the Netherlands
- Compact, multi-functional unit
- Easy installation
- Professional asynchronous pump (5000 l/h)
- Pre-filter with looking glass
- Dispenser for chlorine tablet
- Foam filter cartridge for optimum filtration
- 11 Watt UV-C, safe and effective
- Bound chlorine is broken down by UV-C light
- Ideal for small permanent installed swimming pools, spas and hot tubs
- Safe and effective
- Ensures fresh, clean and clear water
- Prevents the smell of chlorine and irritation to the skin and eyes (red eyes)



## Operation

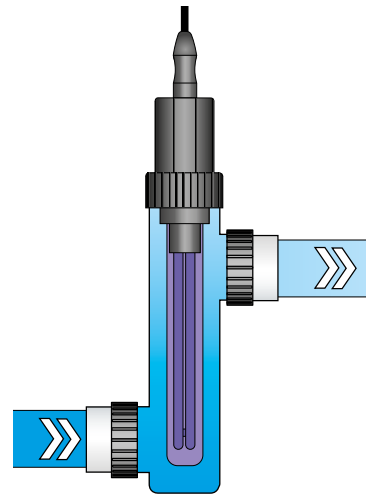
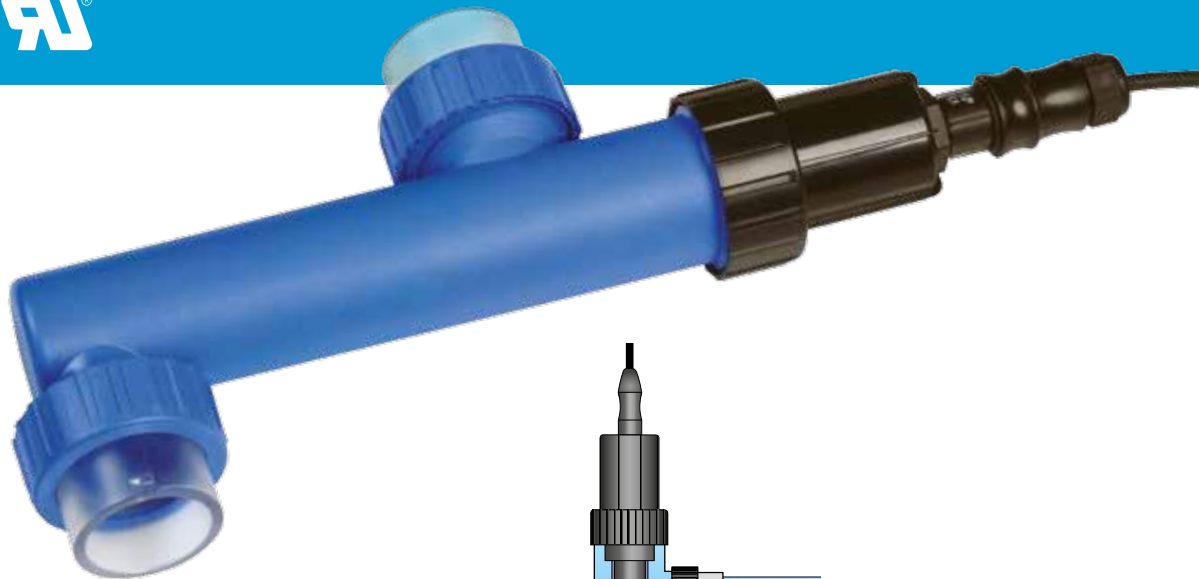
The Compact4pool is specially designed for smaller permanent installed swimming pools, hot tubs and spas. Safety and ease of use are the main features of this 4-in-1 device, consisting of a professional pump, a UV-C device, a filter and a pre-filter. The asynchronous pump (5m<sup>3</sup>/h) sucks in the water via the pre-filter, where any coarse dirt is stopped. A space for a chlorine tablet to ensure an even emission of chlorine in the swimming pool water is also foreseen here. By means of the looking glass, it is possible to check

the condition of the filter and to what extent the chlorine tablet has dissolved. Any fine dirt particles are collected in a filter cartridge that can easily be cleaned. Via this filter cartridge, the water flows past the 11 Watt UV-C lamp, where it is exposed to UV-C radiation. This radiation neutralizes bacteria, viruses, algae and disinfects the water in a safe and efficient manner. Thanks to the Compact4pool, the use of chlorine and other chemicals can be reduced by up to 80%.

## Technical specifications

	COMPACT4POOL
Type	20.000 /11W
Item code	BE04112
Barcode	8714404036054
Rec. flow	3 m <sup>3</sup> /h
Performance at rec. flow	30 MJ/cm <sup>2</sup>
Max. flow	5 m <sup>3</sup> /h
Max. pressure	2 bar
Length unit	61 cm
Diameter in-outlet Ø	40 mm

	COMPACT4POOL
Stainless steel	-
Electronic ballast	230V AC 50Hz
Maximum current	0,25A
Lamp wattage	11W
Lamp type	PL 11W
Chemical reduce	80%
Weight	6,2 Kg
Packing size	32x29x69 cm
Quantity full pallet	20 pcs



## Advantages of the Blue Lagoon Spa UV-C

- Made in the Netherlands
- A built-in electronic ballast to ensure a smooth power supply
- Includes a special Philips UV-C lamp with integrated electronic ballast
- UV-C lamp specially designed for high-temperatures ( $\pm 40^{\circ}\text{C}$  /  $\pm 104^{\circ}\text{F}$ )
- Compact in size
- Easy installation and maintenance

## Operation

This UV-lamp is specially designed by Philips for high-temperatures ( $\pm 40^{\circ}\text{C}/\pm 104^{\circ}\text{F}$ ). The Blue Lagoon Spa UV-C has a built-in electronic ballast to ensure a smooth power supply. In addition, the interior ensures the reflection of the UV-C rays, thereby increasing the efficiency. Thanks to the Blue Lagoon Spa UV-C, your spa water will be disinfected efficiently and

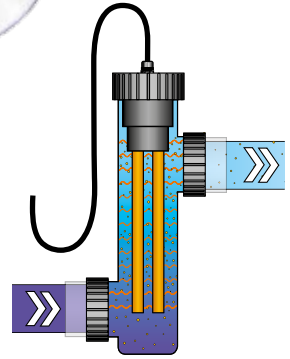
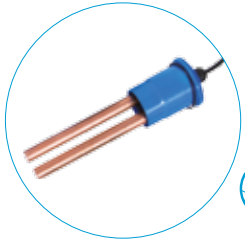
safely, and the quality of your water will remain excellent. The UV-C radiation neutralizes bacteria, viruses and other primitive organisms and stops them from multiplying. This can reduce your chlorine concentration up to 50-80%!  $33 \mu\text{W}/\text{cm}^2$  on 1 metre. Max. pressure: 1 bar. 50mm connections included.

## Technical specifications

	SPA UV-C 12W 230V	SPA UV-C 15W 120V		SPA UV-C 12W 230V	SPA UV-C 15W 120V
Type	10.000/12W	10.000/15W	Lamp wattage	12W	15W
Item code	BE01122	BE01151	Lamp type	Philips PLS module 12W 230V	Philips PLS module 15W 120V
Barcode	8714404038966	8714404039642	Copper ionizer	-	-
Rec. flow	3 m <sup>3</sup> /h	4 m <sup>3</sup> /h	Ozone	-	-
Performance at rec. flow	30 MJ/cm <sup>2</sup>	30 MJ/cm <sup>2</sup>	Timer	-	-
Max. flow	13 m <sup>3</sup> /h	13 m <sup>3</sup> /h	Replace lamp alert	✓	✓
Max. pressure	1 bar	1 bar	Dosing pump	-	-
Diameter unit Ø	59 mm	59 mm	Flow switch	-	-
Length unit	40,5 cm	40,5 cm	Weight	1,6 Kg	1,6 Kg
Diameter in-outlet Ø	50 mm	50 mm	Packing size	26x11x55 cm	26x11x55 cm
Stainless steel	-	-	Quantity full pallet	60 pcs	60 pcs
Electronic ballast	230V AC 50Hz	120V AC 60Hz	RU certified	-	✓
Maximum current	0,25A	-			

Please refer to page 46 for spare parts

# Copper Electrolyzer



## What is the disinfection mechanism of copper ionization?

Electrically charged copper ions ( $\text{Cu}^{2+}$ ) in the water search for particles of opposite polarity, such as bacteria, viruses and fungi. Positively charged copper ions form electrostatic compounds with negatively charged cell walls of microorganisms. These compounds disturb cell wall permeability and cause nutrient uptake to fail. As a result, bacteria are no longer able to multiply and eventually die. The ions remain active until they are absorbed by a microorganism.

## Advantages of the Blue Lagoon Copper Electrolyzer

- Made in the Netherlands
- The copper unit will last for two swimming seasons (+/- 4000 hours)
- Easy installation and maintenance
- Ideal for use in combination with UV-C

## Operation

The Blue Lagoon Copper Electrolyzer will clean the water in your swimming pool through copper electrolysis. We recommend to use this device in combination with a UV-C device for the best result. The Blue Lagoon Copper Electrolyzer will, before the water goes back to the pool, be mounted between the pipes. The swimming pool water then flows through the housing of the Blue Lagoon Copper Electrolyzer. A copper unit, or Electrolyzer, is positioned within the housing, and the copper unit discharges a minimal amount of copper into the water flowing through the housing. These copper ions ( $\text{Cu}^{2+}$ ) in the water have a positive charge and

destroy the cell walls of algae, bacteria, viruses and other primitive organisms. As the cell wall is thereby damaged, these organisms are no longer able to take up any nutrients, and are therefore unable to multiply. The process of applying a positive charge to copper is called copper electrolysis. The copper in the water acts as a disinfecting buffer in your swimming pool. Thanks to the Blue Lagoon Copper Electrolyzer, your swimming pool water will be disinfected efficiently and safely, and the quality of your water will remain excellent.

## Technical specifications

COPPER ELECTROLYZER	
Item code	BE05752
Barcode	8714404039017
Max. flow	13.000 L/h
Max. pressure	1 bar
Length unit	34 cm
Diameter unit Ø	59 mm
Diameter in-outlet Ø	48/50mm
Electronic ballast	230V AC 50/60Hz
Maximum current	0,1A
Weight	2,32 Kg
Packing size	26x11x55 cm
Quantity full pallet	60 pcs

Please refer to page 46 for spare parts

## Advantages of the Blue Lagoon 2- & 3-way cylinder valve

- Made in the Netherlands
- High quality ABS cylinder valves
- Moving parts are made of fibreglass reinforced polymer
- Separate couplings are available to make a union
- Max. working pressure: 3 bar



## Product specifications

ART. NUMBER	DESCRIPTION	SIZE
B200032	2-way Cylinder Valve	2 inch
B200033	2-way Cylinder Valve	Ø 63 mm
B200034	3-way Cylinder Valve	2 inch
B200035	3-way Cylinder Valve	Ø 63 mm
B210040	3-piece coupling fitting	2 inch
B210039	3 piece coupling fitting	Ø 63 mm

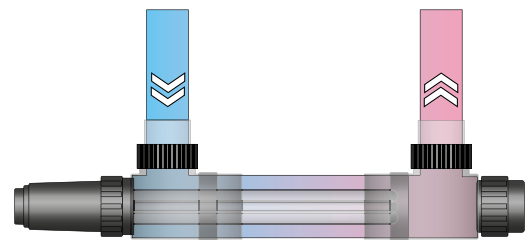
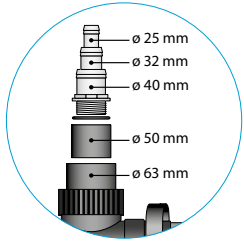
## Advantages of the Blue Lagoon automatic 2- & 3-way cylinder valve

- Made in the Netherlands
- High quality ABS cylinder valves
- Moving parts are made of fibreglass reinforced polymer
- Separate couplings are available to make a union
- Speed- 0.4rpm at 50hz
- 230 VAC or 24 VAC 50/60hz
- Torque 11Nm
- Max. working pressure: 3 bar



## Product specifications

ART. NUMBER	DESCRIPTION	SIZE
B200033AUTO2	Automatic 2-way cylinder valve 24V	Ø63 mm
B200032AUTO2	Automatic 2-way cylinder valve 24V	2 inch
B200033AUTO	Automatic 2-way cylinder valve 240V	Ø63 mm
B200032AUTO	Automatic 2-way cylinder valve 240V	2 inch
B200035AUTO2	Automatic 3-way cylinder valve 24V	Ø63 mm
B200034AUTO2	Automatic 3-way cylinder valve 24V	2 inch
B200035AUTO	Automatic 3-way cylinder valve 240V	Ø63 mm
B200034AUTO	Automatic 3-way cylinder valve 240V	2 inch
B200035AUTO1	Automatic 3-way cylinder valve 240V Solar	Ø63 mm
B200034AUTO1	Automatic 3-way cylinder valve 240V Solar	2 inch



### Advantages of the Blue Lagoon Profiheater

- Made in the Netherlands
- Built-in heating element with thermostat
- 316L stainless steel body
- Universal fittings included

### Operation

The Profiheater can be used for warming up your swimming pool water. All models are equipped with an adjustable thermostat. Both, the heating element with temperature sensor and the interior of the casing, are manufactured from high-quality 316

stainless steel. The Profiheaters can be connected using flexible hose (Ø25, 32 and 40 mm) or PVC tubing (Ø50 and 63 mm). The Profiheaters are available in 1 kW, 2 kW and 3kW. Max. pressure: 2 bar.

### Technical specifications

	PROFIHEATER 1KW	PROFIHEATER 2KW	PROFIHEATER 3KW
Art. Number	E830008	E830009	E830010
Barcode	8714404038294	8714404038362	8714404034173
Max. flow	10.000 L/h	10.000 L/h	10.000 L/h
Max. pressure	2 bar	2 bar	2 bar
Connection	Ø63-50-40-32-25mm	Ø63-50-40-32-25mm	Ø63-50-40-32-25mm
Weight	3,3 Kg	3,3 Kg	3,5 Kg
Packing size	33x12x55cm	33x12x55cm	33x12x55cm
Quantity full pallet	40 pcs	40 pcs	40 pcs

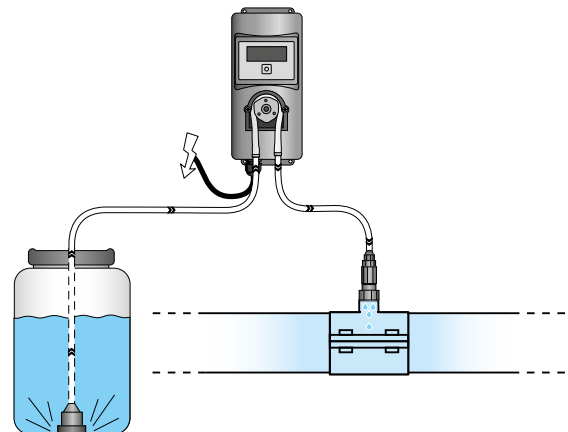


## Advantages of the Blue Lagoon Pool Dispense

- Made in the Netherlands
- Dosage of up to 60 cc an hour
- The possibility to change the dosage every hour
- Neoprene hose
- Timer function that indicates the remaining lifetime of the pump head
- Easy to install and easy to maintain
- Compact design
- Easy to combine with a Blue Lagoon UV-C
- Suction and injection nipples supplied

## Operation

The Blue Lagoon Pool Dispense is the ideal peristaltic pump for the dosing of a liquid solution (floculant, natrium bicarbonate) into the piping system of your swimming pool. The neoprene hose makes it possible to add various types of chemical solutions to the water of your swimming pool. The Blue Lagoon Pool Dispense makes a dosage of up to 60 cc an hour possible. In addition, it is possible to change the dosage every hour by operating the pushbutton underneath the display. In addition, the Blue Lagoon Pool Dispense is easy to install thanks to the compact design and the supplied suction and injection nipples. Installation is also possible in combination with an (existing) Blue Lagoon UV-C system.



## Technical specifications

POOL DISPENSE	
Art. Number	B210010
Barcode	8714404038690
Dimensions lxxh	80x90x215mm
Consumption	5 Watt
Rotation	30 rpm
Voltage	230 V
Frequency	50/60 Hz
Weight	1,5 kg
Packing size	21x 10 x 32cm
Quantity full pallet	120 pcs

Please refer to page 47 for spare parts

## Clamp Saddle



ART. NUMBER	DESCRIPTION
B200028	Clamp saddle Ø 50mm x3/4" & PVC socket nipple
B200029	Clamp saddle Ø 63mm x3/4" & PVC socket nipple

## Container



ART. NUMBER	DESCRIPTION
B200021	Container, 3 liters
B200022	Container, 6 liters

# UV-C lamps

For the professional market it's also possible to deliver special high quality lamps with a higher wattage. For example lamps of 325 and 400 watt. Please contact us at +31 499 494226 or by e-mail: info@vgebv.nl for the actual prices and delivery times.



**PL-S lamps** are compact UV-C (germicidal) lamps used in residential water and air disinfection units. The compact size of the lamp allows for a small system design and design flexibility. Thanks to the single-ended lamp base, lamp replacement is easy.



**PL-L lamps** are compact UV-C (germicidal) lamps used in water and air disinfection units. The compact size of the lamp allows for a small system design and design flexibility. Thanks to the single-ended lamp base, lamp replacement is easy.



**TL Mini lamps** are slim double-ended UV-C (germicidal) lamps used in residential water and air disinfection units. The small 16 mm diameter of the lamp allows for a small system design and design flexibility.



**TL lamps (T8)** are double-ended UV-C (germicidal) lamps used in professional air disinfection units. Moreover, they have a long and reliable lifetime, which allows maintenance to be planned for in advance.



**T5 lamps** are single ended UV-C (germicidal) lamps used in professional water and air disinfection units. The small 16 mm diameter of the lamp allows for a small system design and design flexibility. T5 lamps offer almost constant UV output over their complete lifetime, for maximum security of disinfection and high system efficacy.



The **Philips Smart Cap** technology is a new development for optimal safety! The lamp base and the fitting, that goes into the housing of the lamp, are both provided with a safety switch. As soon as the lamp is taken out of the housing, the power supply is interrupted and you won't be able to look into the burning UV-C lamp. This guarantees optimal safety during maintenance.



**Philips T6 TUV Amalgam XPT** system consists of an electronic driver that operates one TUV Amalgam XPT lamp, mounted in a sleeve. The electrical specifications are tailored to the lamp, ensuring an optimized performance of the Philips TUV Amalgam XPT system. Thanks to extensive testing before a lamp system is released, we can ensure maximum reliability and long lifetime.

## Models



## PL bulbs

ITEM. NR.	BRAND	TYPE	VPE	TYPE	MODEL
3903005	Philips	PL-S Bulb 5 Watt	10	PL-S	A
3903006	Xclear	PL-S Bulb 5 Watt Economy	20	PL-S	A
3903009	Philips	PL-S Bulb 7 Watt	10	PL-S	A
3903010	Philips	PL-S Bulb 9 Watt	10	PL-S	A
3903011	Xclear	PL-S Bulb 9 Watt Economy	20	PL-S	A
3903020	Philips	PL-S Bulb 11 Watt	10	PL-S	A
3903021	Xclear	PL-S Bulb 11 Watt Economy	20	PL-S	A
3903030	Philips	PL-L Bulb 18 Watt	20	PL-L	B
3903034	Xclear	PL-L Bulb 18 Watt Economy	25	PL-L	B
3903033	Philips	PL-L Bulb 24 Watt	25	PL-L	B
3903037	Xclear	PL-L Bulb 24 Watt Economy	25	PL-L	B
3903040	Philips	PL-L Bulb 36 Watt	25	PL-L	B
3903045	Xclear	PL-L Bulb 36 Watt Economy	25	PL-L	B
3903050	Philips	PL-L Bulb 55 Watt	1	PL-L	B
3903054	Xclear	PL-L Bulb 55 Watt Economy	25	PL-L	B
E801406	LightTech	PL Lamp 11 for Compact4pool special base	1	PL-S	A
B212012	Philips	PL-S Module 12W for Spa UV-C	1	PL-S	J
B212012USA	Philips	PL-S Module 15W for Spa UV-C	1	PL-S	J



## T5 bulbs

ITEM. NR.	BRAND	TYPE	VPE	TYPE	MODEL
F980065	LightTech	Lamp 16 Watt for Blue Lagoon UV-C Tech	1	T5	F
3903004	Philips	Philips TUV 16T5 4P-SE (16 Watt)	1	T5	C
E800901P	Philips	Philips TUV 36T5 4P-SE (40 Watt)	1	T5	C
3903566L	LightTech	LightTech TUV 36T5 4P-SE (40 Watt)	2	T5	C
3300036	LightTech	T5 Bulb 40 Watt special base red	1	T5	G
F980002	LightTech	Lamp 40 Watt for Blue Lagoon UV-C Tech	1	T5	F
E280002	LightTech	Lamp 40 Watt for Blue Lagoon UV-C Ionizer	1	T5	K
4800070AM	LightTech	LightTech 40 Watt Amalgam for Pro 35	1	T6	E
3903073	Xclear	Xclear T5 Bulb 40 Watt	25	T5	C
E800902P	Philips	Philips TUV 36T5 HO4P-SE (75 Watt)	1	T5	C
3903579L	LightTech	LightTech TUV 36T5 HO4P-SE (75 Watt)	1	T5	C
3903567	Philips	Philips TUV 64T5 4P-SE (75 Watt) (1,60m)	1	T5	C
3903074	Xclear	Xclear T5 Bulb 75 watt	25	T5	C
F980004	LightTech	Lamp 75 Watt for Blue Lagoon UV-C Tech	1	T5	F
B280001	LightTech	Lamp 75 Watt for Blue Lagoon UV-C Ionizer	1	T5	K
3300037	LightTech	T5 lamp tbv UV-C 75 Watt special base red	1	T5	G
F980501	LightTech	Lamp 75 Watt for Blue Lagoon Ozone UV-C	1	T5	H
4800082AM	LightTech	LightTech 80 Watt Amalgam	1	T6	E
E800904	Philips	Philips TUV 130 Watt 4P-SE Amalgam	1	T6	E
B280006	Philips	Philips T5 Smart cap lamp 40 Watt	1	T5 smartcap	D
B280005	Philips	Philips T5 Smart cap lamp 75 Watt	1	T5 smartcap	D

## TL bulbs

ITEM. NR.	BRAND	TYPE	VPE	TYPE	MODEL
3903556	Philips	TL Bulb 4 Watt	25	TL	I
3903557	Philips	TL Bulb 6 Watt	25	TL	I
3903558	Philips	TL Bulb 8 Watt	25	TL	I
3903559	Philips	TL Bulb 10 Watt	25	TL	I
3903555	LightTech	TL Bulb 10 Watt	25	TL	I
3903563	Philips	TL Bulb 11 Watt	25	TL	I
3903560	Philips	TL Bulb 15 Watt	25	TL	I
3903574	Philips	TL Bulb 16 Watt	25	TL	I
3903561	Philips	TL Bulb 25 Watt	25	TL	I
3903070	Xclear	TL bulb 25 Watt	25	TL	I
3903564	Philips	TL Bulb 30 Watt	25	TL	I
3903071	Xclear	TL bulb 30 Watt	25	TL	I
3903565	Philips	TL Bulb 36 Watt	6	TL	I
3903562	Philips	TL Bulb 55 Watt	6	TL	I
3903072	Xclear	TL bulb 55 Watt	25	TL	I



# Pure pleasure

Swimming pools and spas are the perfect places for sports, fun and relaxing. Unfortunately they are also the perfect breeding place for bacteria, viruses and other primitive organisms. Clean swimming pool water doesn't have to mean high doses of chlorine. With UV treatment the chlorine level can be kept as low as possible, decreasing the unpleasant side effects of it. So you can fully enjoy every swim.

#### The clear choice

Our UV-C lamps significantly reduce the required concentration of chemicals needed to keep the pool clean. So there's no red eyes or skin irritations to worry about. Also unpleasantly intense chlorine aromas that affect hair and skin are avoided, making UV-C treated pools the preferred choice with swimmers.

#### Pure innovation

With a long and reliable lifetime, low energy and maintenance costs and high end of life output, Philips UV-C lamps provide



up to 12,000 hours of clean pool water. And with very low levels of mercury, they're clearly better for the environment when they're disposed of.

#### You're safe with us

Philips has been lighting your world for more than 100 years. Our comprehensive range of UV-C solutions covers water, air and surface disinfection using low and medium pressure mercury lamps.

innovation  you

To find out more dive into our website at  
[www.philips.com/uvpurification](http://www.philips.com/uvpurification)

**PHILIPS**



## For a better air quality

Get rid of viruses, bacteria and moulds. Disinfect the air you breathe.



The air we inhale is one of our most important basic needs. Air can contain just as many good substances as bad. Our air is not equally clean everywhere we go. Infectious bacteria, viruses and moulds spread easily through the air and can make us sick.

The air in enclosed spaces is usually poorly ventilated and filled with dust, which means it also contains many contaminants. In addition to bacteria, viruses, moulds and pollen, air can also contain cigarette smoke, food or pet odours, and exhaust fumes.

With the Aetaire you have an air filter, an air ioniser and a UV-C sanitising light in one professional system. One Aetaire device is suitable for spaces up to 100m<sup>3</sup>. The system is based on the modern technique of the way the air of hospital operation rooms is disinfected.

You can now easily eliminate bacteria, viruses, moulds, pollens and dust particles from the air you breathe. The air in your living environment is continuously protected, and you can prevent illnesses, allergies and the spread of the substances that cause them.

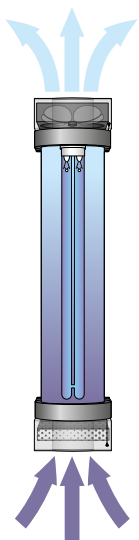
lamp in the Aetaire produces ultraviolet radiation at a wavelength of 253.7 nm. This UV-C light kills bacteria, viruses, moulds and other primitive organisms. The radiation destroys the DNA structure of micro-organisms and prevents their reproduction. This method even works if the micro-organisms have become immune to other disinfection methods.

### Ionisation

The air drawn in by the Aetaire passes the ioniser. The ionizer introduces 8.5 million negative(-) ions per cubic centimetre into the air. Most of the dust particles in an enclosed space normally have a positive(+) charge. Negative(-) ions have the effect of attracting positive(+) dust particles. By adding negative(-) ions to the air, the positive(+) particles in the air become heavier, which causes them to sink towards the ground. The process therefore results in cleaner, dust- and pollen-free air.

### Clean air

The exiting air has been 90% filtered, ionised and disinfected. Clean air in your living environment is better for your health: it increases your body's resistance, it relieves or eliminates respiratory allergies, and fears and depression subside or disappear. The most important effect is that illness can be prevented.



### Circulation

the ebm-papst fan draws the air in the room into the bottom of the unit, creating air circulation.

### Filter

the air passes through the 3M High Air Flow (HAF) filter. This special filter contains an antimicrobial film layer that prevents the growth of various infectious substances on the filter.

### UV-C sanitising light

After passing through the filter, the air is exposed to the UV-C sanitising light. The special Philips UV-C

AETAIRE	
Item code	4600001
Barcode	8714404038751
Max. air flow	50 m <sup>3</sup> /h
Dimensions	60 x 17 x 15 cm
Lamp Wattage	60W
Lamp Type	Philips PL-L 60W/4P HO lamp 60 Watt
Filter	3M High Air Flow (HAF) filter 6,5 micron
Ventilator	12 Volt
-Ion production	8.500.000 -ions/cm <sup>3</sup>
Quantity full pallet	30 pcs

Please refer to page 47 for spare parts



**LightTech**

# UVC Germicidal Lamps Global Leaders

Light Sources and Lighttech, global leaders in UVC Germicidal Lamps, offer unmatched innovation in the design and manufacture of our lamp products. With both of our state of the art manufacturing facilities, we can supply the world market with high-quality standard lamp designs as well as custom designed lamp solutions for your specific applications.

- Amalgam Lamps
- Soft Glass
- U Shaped
- Cell Lamps
- Compact Lamps
- Standard Output
- High Output
- Ozone Producing
- Medium Pressure (MPUV/MPHO)
- OEM - Proprietary Base Solutions
- Custom Lamp Configurations



**LightSources**

VGE B.V., domiciled at Ekkersrijt 7408 in Son, the Netherlands  
General conditions of supply and payment

## GENERAL TERMS AND CONDITIONS OF SALE VGE B.V.

### 1. Orders

- 1.1 VGE B.V. ("VGE") is allowed to accept and reject orders of Buyer at its sole discretion. An agreement will be deemed to have been concluded after VGE has confirmed an order placed by the Buyer, or has commenced the execution of that order.
- 1.2 All offers of VGE are valid for a maximum of 30 calendar days.
- 1.3 In the event that an agreement is concluded by e-mail, an agreement may be concluded without VGE having to fulfill any conditions provided by law pertaining to electronic communication and/or electronic conclusion of agreements.
- 1.4 The Buyer will be entitled to cancel an order only after receiving written consent from VGE, which consent may be made subject to conditions as deemed appropriate by VGE.

### 2. Delivery

- 2.1 Unless otherwise agreed in writing, the goods will be delivered Ex Works, Incoterms 2010 or, if any, a more recent version of the Incoterms. The Buyer will be obliged to take delivery of the goods upon VGE's request.
- 2.2 Any delivery times quoted or agreed on by VGE may not be considered to be firm deadlines, unless explicitly agreed otherwise in writing between the parties. In the event of late delivery, VGE must be declared to be in default in writing, in which connection VGE will be granted a reasonable term of at least 14 calendar days as of the date of the receipt of notification to fulfill its obligations. In the event that such extended term is exceeded, the Buyer will be entitled to dissolve the agreement or part of the agreement only with respect to the goods not delivered. In such an event, VGE will not be liable to pay damages, unless such damages are the consequence of gross negligence or willful misconduct of VGE's executive management.
- 2.3 VGE is entitled to deliver and invoice the goods in installments, unless the goods in question do not have any stand-alone value in VGE's opinion.
- 2.4 If at the request of Buyer VGE holds a specified stock of goods that the Buyer can order on demand, the Buyer will order such goods within 6 months from the date of the Buyer's request to keep such goods in stock. If the Buyer fails to do so, he will nevertheless be liable to pay the purchase price. Unless agreed otherwise the delivery time for goods that are available on demand is 15 working days from the day of the order.
- 2.5 The Buyer is obliged to accept delivery of the goods upon VGE's request. If Buyer fails to accept delivery, the Buyer will be liable for all costs and damages resulting therefrom, including but not limited to the costs of storing and re-delivering the goods.
- 2.6 VGE will be entitled to charge the costs of any packaging separately. The packaging will not be taken back. Should VGE, however, be obliged by law or any regulations to take packaging back, any costs related to taking back or processing packaging will be borne by the Buyer.

### 3. Price and Payment

- 3.1 Unless explicitly agreed otherwise in writing, all prices are quoted exclusive of VAT, transport and insurance costs and all other costs. A quoted or agreed price is valid for one order only, unless the parties have explicitly agreed otherwise in writing.
- 3.2 VGE will be entitled to adjust prices agreed upon before delivery in the event of increases in cost-determining factors such as fluctuations in exchange rates, raw materials, labor costs or in the event of government measures, provided that such increases or measures occurred after the conclusion of the agreement but before delivery.
- 3.3 Unless explicitly agreed otherwise in writing, the Buyer will pay the entire purchase price in advance upon placement of an order, in euros and by transfer to or deposit into an account indicated by VGE, without any deduction, discount or set-off. Submission of a complaint will not suspend the Buyer's obligation to pay.
- 3.4 If the Buyer fails to timely make a payment in accordance with article 3.3, the Buyer will be in default and all claims of VGE will become fully due and payable immediately, without prejudice to any other rights that VGE may have by under these terms and conditions or the law.
- 3.5 If at any time VGE B.V. has doubts as to the Buyer's creditworthiness, VGE B.V. will have the right, before commencing or continuing its obligations, to require the Buyer to provide adequate security in the amount of the sums which are or will be owed to VGE B.V. by the Buyer, whether or not immediately payable, under the agreement, all at VGE B.V.'s discretion.
- 3.6 In the event of untimely payment, VGE will be entitled to compensation of all extra-judicial costs, including but not limited to costs involved in sending reminders, one or more notices of default or demand notices, which extra-judicial costs will amount to at least 15% of the total amount payable, subject to a minimum of EUR 500, without prejudice to any other rights that VGE may have by virtue of these terms and conditions or the law.
- 3.7 In the event that VGE is fully or largely successful in legal proceedings against the Buyer, the Buyer will be obliged to compensate all costs incurred by VGE in connection with such proceedings, even to the extent that such costs exceed the cost award made by the court. VGE may invoke this clause irrespective of whether the Buyer has appealed against the relevant judgment at the court of appeal or the Supreme Court.

### 4. Retention of title

- 4.1 VGE will retain title to all goods delivered and to be delivered to the Buyer until full payment of all purchase amounts has been received, as well as any amounts owed by the Buyer pertaining to work performed by VGE in connection with such purchase agreements and any claims pursuant to any failure in the performance of such agreements on the part of the Buyer.
- 4.2 The Buyer will be obliged to store the goods delivered under retention of title with due care, ensuring that they are recognizable as the property of VGE. In addition, it will be obliged to insure such goods against, *inter alia*, fire and water damage and theft. The Buyer will pledge to VGE any claims it has pursuant to such insurance policies upon VGE's first request, as additional security with respect to VGE's claims against the Buyer.
- 4.3 In the event that the Buyer fails in the performance of any obligation vis-à-vis VGE, or in the event that VGE has good reason to fear that the Buyer will fail in the performance of its obligations, VGE will be entitled to recover the goods delivered under retention of title or to have such recovered, even when the goods have to be detached. The Buyer will cooperate accordingly. The Buyer will bear the costs of recovery, without prejudice to VGE's right to further damages.

### 5. Characteristics of Goods

- 5.1 The goods will comply with any specifications explicitly agreed upon in writing and be free from defects in material and workmanship under normal use consistent with VGE's instructions for a period of 12 months from delivery to the Buyer.
- 5.2 Any and all images and specifications of goods in catalogues, price lists, advertisements, etc. and any samples of the goods must be deemed to be representations by approximation only, unless VGE has explicitly indicated the contrary in writing with regard to a specific delivery.
- 5.3 If the goods are intended to be used in a country outside the Netherlands, VGE is not responsible to ensure that the goods comply within any laws and other requirements applicable in such other

country, unless the parties have (i) explicitly agreed otherwise in writing and (ii) the Buyer has correctly informed VGE on the exact content of such requirements.

- 5.4 VGE is at all times entitled to effect adjustments in the goods to be delivered, in order to improve them or comply with government regulations.
- 5.5 VGE has no obligation and Buyer shall have no rights in relation to any characteristics and/or performance of the goods other than the characteristics and the performance that are applicable or agreed pursuant to this article 5.

### 6. Complaints and Inspection

- 6.1 The goods delivered must be checked by or for the Buyer upon delivery with respect to numbers and visible defects and any shortages or visible defects must be reported to VGE within 3 working days after delivery. The Buyer must report defects not visible upon delivery within 3 working days of their discovery, though in any event within 3 working days after the time that the Buyer should reasonably have discovered them.
- 6.2 The Buyer will be obliged to perform the inspection or to have the inspection performed with due care, upon receipt of the goods. The Buyer will bear the risk for inspecting the goods by means of random checks and may not rely on the fact that it did not observe a defect that was visible and could have been discovered upon delivery because it—or a third party engaged by it—did not inspect the entire shipment.
- 6.3 In the event that a good does not comply with article 5 of these conditions, VGE will only be obliged—to be decided at the VGE's discretion—to repair the defect, to replace the relevant good or to credit or refund the amount charged in connection with the defective good in whole or in part, according to its own reasonable judgment and to the exclusion of any other rights of the Buyer by law.
- 6.4 The Buyer will not be entitled to any claim if the non-compliance with article 5 cannot be attributed to VGE, e.g. results from any transport, incorrect operation, installation, storage or maintenance by the Buyer or a third party.
- 6.5 Any and all claims for payment of an amount of money and/or repair of the relevant good and/or replacement of the good and/or supply of any missing part, on whatever basis, as well as any right to dissolve the agreement will lapse at the earliest of the following times: a) upon late reporting pursuant to article 6.1 or b) 12 months after the delivery date.

### 7. Liability

- 7.1 Without prejudice to article 2.2, any liability on the part of VGE on the basis of an attributable failure with respect an agreement concluded with the Buyer will be restricted to the provisions laid down in article 6.3.
- 7.2 VGE will assume no liability with respect to damage as a consequence of or related to any errors or omissions in advice rendered by it, nor will it assume any liability with respect to damage as a consequence of or related to errors or omissions in the processing instructions recommended by it.
- 7.3 Without prejudice to article 7.1, VGE will not—irrespective of the legal basis of the Buyer's claim—be liable for any consequential damages, including but not limited to losses due to delays or loss of data, lost profits and penalties forfeited by the Buyer.
- 7.4 The above-mentioned restrictions with respect to liability will not apply in the event that the damage is the consequence of gross negligence or willful misconduct on the part of VGE's executive management.
- 7.5 The Buyer will indemnify VGE against any damage resulting from claims by third parties in connection with goods supplied by VGE.

### 8. Force majeure

- 8.1 If VGE fails in the performance of its obligations due to an event of force majeure, it will not be liable. To the extent that the circumstance making performance impossible is not of a permanent nature, VGE's obligations will be suspended. In the event that the period during which performance is not possible due to force majeure exceeds 2 months or is expected exceed 2 months, both parties will be entitled to cancel the agreement, without any obligation to pay the damages that may arise as a result.
- 8.2 In the event that VGE has already partially fulfilled its obligations upon the occurrence of the situation of force majeure, or is only able to fulfill its obligations in part, it will be entitled to separately invoice the part already supplied or the part that can still be supplied and the Buyer will be obliged to pay that invoice as if it pertained to a separate agreement.
- 8.3 A situation of force majeure affecting VGE within the meaning of this article will be deemed to have occurred in the event of, *inter alia*, strikes, a shortage of raw materials, delay, transport problems, war or threat of war, full or partial mobilization, riots, sabotage, floods, fire or other forms of destruction within VGE's company, lockouts and industrial actions, breakdowns of machines or tools or other breakdowns within VGE's company. A situation of force majeure must also be deemed to have occurred on the part of VGE in the event that one or more of the above-mentioned circumstances occurs within the companies of VGE's suppliers and as a consequence VGE cannot or could not perform its obligations, or cannot or could not perform such in good time.

### 9. Suspension and dissolution

- 9.1 Without prejudice to VGE's rights under these terms and conditions or under the law, VGE will at any event be entitled to suspend (further) performance or to dissolve any agreement concluded with the Buyer, in whole or in part, if (i) any goods made available by VGE to the Buyer become subject to attachment, (ii) the Buyer is granted a suspension of payments or is declared bankrupt, (iii) any permits or licenses required for the performance of the agreement are withdrawn, (iv) the Buyer fails to fulfill one or more of its obligations ensuing from any agreement with VGE, (v) VGE has sound reasons to believe that the Buyer is or will be unable to fulfill its obligations under any agreement, or (vi) the Buyer ceases its business or if a change occurs in the control of that business. Any right of the Buyer to suspend performance is hereby excluded.

### 10. Applicable law and dispute resolution

- 10.1 These terms and conditions and all quotations from and agreements with VGE will be governed by Dutch law. The UN Convention on Contracts for the International Sale of Goods ("CISG") does not apply.
- 10.2 In the event that the Buyer is domiciled in a Member State of the European Union or in Norway, Switzerland or Iceland at the time that proceedings are commenced, any and all disputes relating to these terms and conditions and/or any quotations or agreements to which these terms and conditions are applicable will exclusively be settled by the competent court in Amsterdam, the Netherlands. The above will not affect VGE's right to submit a dispute to the court that would be competent in the absence of this provision. In the event that the Buyer is not domiciled in a Member State of the European Union or in Norway, Switzerland or Iceland upon the commencement of proceedings, any and all disputes relating to these terms and conditions and/or any quotations or agreements to which these terms and conditions are applicable will exclusively be settled in accordance with the rules of the Netherlands Arbitration Institute [Nederlands Arbitrage Instituut, or NAI]. Arbitration will take place in Amsterdam, the Netherlands. The case will be submitted to three arbitrators and the arbitration proceedings will be conducted in Dutch.



Examples of Stainless Steel 316 devices, which are damaged by corrosive water and/or grounding problems. These are no manufacturing or material faults, so they are not covered under warranty.

## Corrosion of metal parts and devices in swimming pools

Although most devices, ladders, etc. in swimming-pools are made of stainless steel, oxidation is still possible. There are two important reasons you have to keep in mind:

1. Insufficient grounding of pool water (pool bonding)
2. Corrosive water

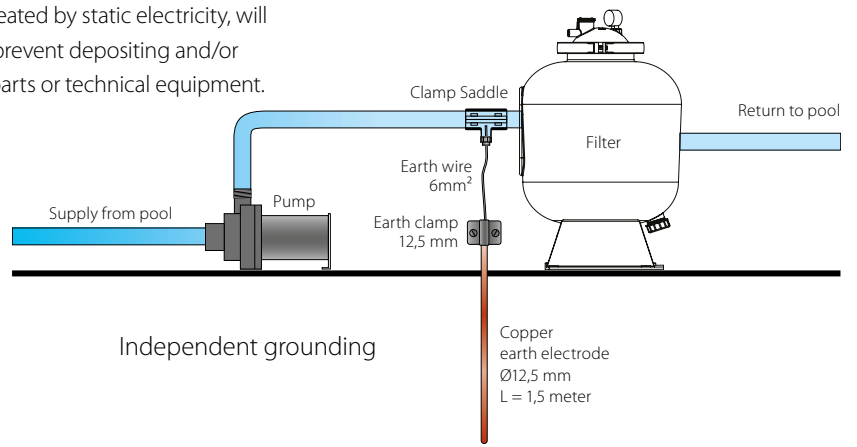
### Grounding

Every pool must be grounded independently (i.e. not to the electricity network). This in particular for fibreglass/polyester pools, pools with salt electrolysis and pools with stainless steel parts (pool ladders, UV-C units, etc.). A special grounding set ensures that potential differences created by static electricity, will be lead away. This will prevent depositing and/or oxidation to the pool, parts or technical equipment.



### Salt

For Stainless steel 316 devices (such as UV-C lamps) the **maximum salt concentration is 5 grams/litre** for salt electrolysis systems.



### Corrosive water

The tap water that is used to (re)fill up the pools normally has a constant and known composition. By adding chemical products for disinfection, pH regulation and by heating and moving the water, this composition changes. Pool water might turn corrosive (calcium dissolving) and can slowly dissolve the existing lime (in concrete and in joints between the tiles). Metals (ladders, heaters, UV-C devices, etc.) can also be affected.

Reversely, the water can also have calcium precipitating characteristics that can turn the water cloudy and the walls and floors can be beset by lime scale deposits.

To determine, whether the water is neutral, corrosive or calcium precipitating, you can use the so-called "Langelier Saturation Index". The Langelier

saturation index (LSI) is a calculated number used to predict the calcium carbonate stability of water. It indicates whether the water will precipitate, dissolve, or be in equilibrium with calcium carbonate. The LSI is expressed as the difference between the actual system pH and the saturation pH.

The formula is as follows:  $pH + TF + AF + CF - 12,1$

- pH The measured pH-value of the pool water
- TF The influence of the water temperature in the formula
- AF The influence of the alkalinity in the formula (measured as hydrogen carbonate  $HC03^-$  - or as calcium carbonate  $CaCO3$ )
- CF The influence of the hardness of calcium (measured as calcium carbonate)



## Chart of factors

°C	TF	CAC03 MG/L	AF	CAC03 MG/L	CF
0	0,0	25	1,4	25	1,0
3	0,1	50	1,7	50	1,3
8	0,2	75	1,9	75	1,5
12	0,3	100	2,0	100	1,6
16	0,4	150	2,2	150	1,8
19	0,5	200	2,3	200	1,9
24,5	0,6	300	2,5	300	2,1
29	0,7	400	2,6	400	2,2
34,5	0,8	800	2,9	800	2,5
40,5	0,9	1000	3,0	1000	2,6

- According to this calculation, water in balance should be within the range of -0.3 en +0.3.
- Values below -0.3 indicate corrosive water.
- Values above +0.3 indicate lime precipitating water.

## Examples

PARAMETER	MEASURING VALUE	FACTOR
pH-value	7,4	7,4
Temperature	28	0,7
Total alkalinity	150mg/l CaCO <sub>3</sub>	2,2
Calcium hardness	150mg/l CaCO <sub>3</sub>	1,8
<b>Sum of factors</b>		<b>12,1</b>

$$\text{pH} + \text{TF} + \text{AF} + \text{CF} - 12,1$$

$$(7,4 + 0,7 + 2,2 + 1,8) - 12,1 = 0,0$$

Water is in balance, no correction necessary

## Examples

PARAMETER	MEASURING VALUE	FACTOR
pH-value	7,8	7,8
Temperature	29	0,7
Total alkalinity	195mg/l	2,3
Calcium hardness	127mg/l	1,7
<b>Sum of factors</b>		<b>12,5</b>

$$\text{pH} + \text{TF} + \text{AF} + \text{CF} - 12,1$$

$$(7,8 + 0,7 + 2,3 + 1,7) - 12,1 = 0,4$$

Water is lime precipitating, correction

## Examples

PARAMETER	MEASURING VALUE	FACTOR
pH-value	7,1	7,1
Temperature	30	0,7
Total alkalinity	100mg/l	2
Calcium hardness	150mg/l	1,8
<b>Sum of factors</b>		<b>11,6</b>

$$\text{pH} + \text{TF} + \text{AF} + \text{CF} - 12,1$$

$$(7,1 + 0,7 + 2 + 1,8) - 12,1 = -0,5$$

Water is corrosive, correction is necessary

### Correction in case of a too low saturation index

In case of a negative saturation index, below -0.3, a correction is recommended. The saturation index must be increased. This can be realised by increasing the sum of factors, by increasing one or more parameter values.

#### The measuring values are

- pH-value up to max. 7,6
- Alkalinity up to max. 300 mg CaCO<sub>3</sub>/l
- Calcium hardness up to max. 200 mg CaCO<sub>3</sub>/l

#### pH-value

An increase of the pH value with caustic soda or soda can be used as a short-time solution. For a good disinfection result a pH value between 7.1 and 7.3 is the best.

#### Alkalinity

The increase of alkalinity can be achieved by increasing the hydrogen carbonate content of the water with the help of sodium bicarbonate. If a too low hydrogen carbonate content is the case, it might be caused by a low HCO<sub>3</sub><sup>-</sup> content or by regular loss of the carbonic acid compounds as consequence of water movement or air geysers, you should add a solution of sodium bicarbonate with a dosing system.

### Calcium Hardness

Tap water with a low hardness often lack carbonic acid compounds, besides low calcium- and magnesium compounds. As a result a negative saturation index might occur. The concentration of calcium compounds in the water can be increased by adding calcium chloride to the water.

### Correction of a too high saturation index

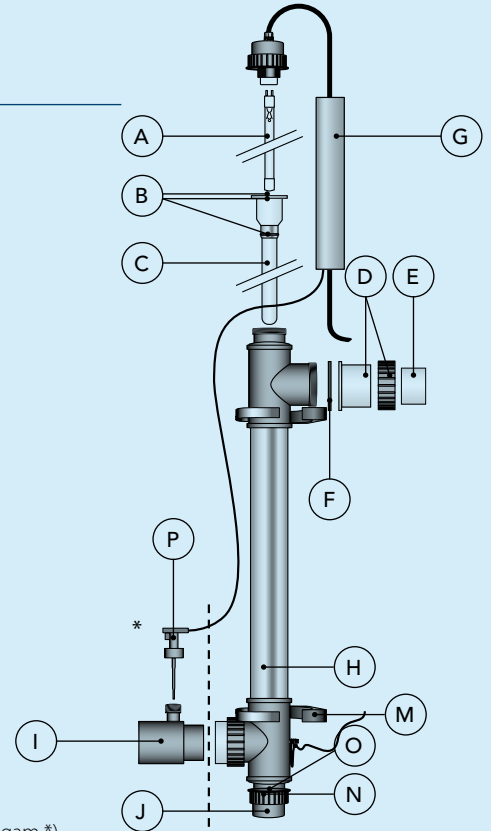
In case of a positive saturation content of more than +0.3, the saturation index has to be reduced to the value preferred. In contrast to the increase of the saturation factor, the possibility of reduction is more restricted. The reduction of the HCO<sub>3</sub><sup>-</sup> content is possible by intensive aeration in combination with an automatic pH-correction. The reduction of the calcium hardness is only possible through total or partial water softening with a water softener.

**In case of extreme low values for hydrogen carbonate there is a present danger that pH values sink under 5.0. In case of such a value, "chlorine" in the water will be partly available as chlorine gas. Chlorine gases in the water might lead to serious poisoning!**

Please refer to page 6 for the product information

## Blue Lagoon UV-C Tech

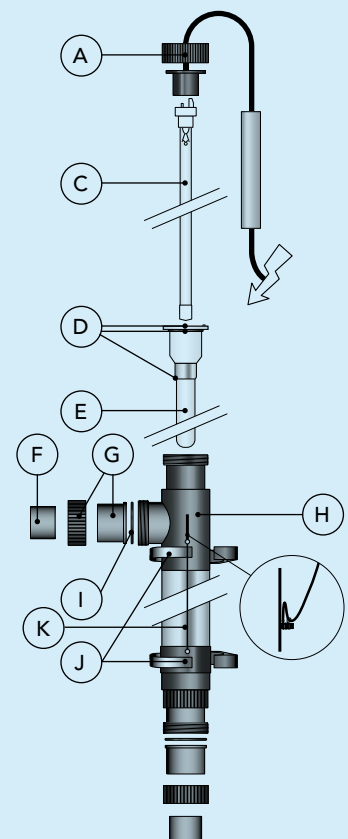
ART. NUMBER	DESCRIPTION
<b>BE02162</b>	<b>Tech 16W</b>
<b>BE02402</b>	<b>Tech 40W</b>
<b>BE02752</b>	<b>Tech 75W</b>
<b>BE03132</b>	<b>UV-C 130W Amalgam*</b>
B910000	Housing for Blue Lagoon UV-C Tech 16 Watt
B910002	<b>H</b> Housing for Blue Lagoon UV-C Tech 40&75 Watt
B910003	Housing for Blue Lagoon UV-C Tech 130 Watt
QG018	Quartz glass sleeve 16 Watt Tech
QG11	<b>C</b> Quartz glass sleeve Tech/Timer 40&75 Watt
QG11	Quartz glass sleeve UV-C Tech 130 Watt
E800912	<b>B</b> O-Ring for Quartz sleeve (3 pieces)
F980065	Lamp 16 Watt for Blue Lagoon UV-C Tech
F980002	<b>A</b> Lamp 40 Watt for Blue Lagoon UV-C Tech
F980004	Lamp 75 Watt for Blue Lagoon UV-C Tech
E800904	130 Watt Amalgam lamp
EP040011	Electrical part for Blue Lagoon UV-C Tech 16/40 watt
EP075014	<b>G</b> Electrical part for Blue Lagoon UV-C Tech 75 Watt
EP130009	Electrical part for Blue Lagoon UV-C Tech 130 Watt + flow switch
B915000	<b>D</b> 3-Way connection 63mm (2 pieces)
E800944	3-Way connection size USA / UK (60,5 mm) (2 pieces)
E800941	<b>F</b> O-Ring for 3-Way connection (2 pieces)
F990115	<b>E</b> Reduction piece 1,5" female threaded x 63 out 50 in ABS
B290020	<b>I</b> Reduction piece 63/63 3/4" screw-thread for flow switch (only for 130W Amalgam *)
B290021	Reduction piece 60,3/60,3 3/4" screw-thread for flow switch (only for 130W Amalgam *)
B290010	<b>N</b> Nut for end cap Blue Lagoon UV-C Tech
E801519	<b>O</b> O-ring for end cap Blue Lagoon UV-C Tech
F990010	<b>J</b> End cap Blue Lagoon Tech 16W, 40W, 75W
F990009	End cap Blue Lagoon UV-C Tech 130W Amalgam
B290006	<b>M</b> Installation grip 75 mm for Blue Lagoon UV-C Tech
B290018	<b>P</b> Flow switch (only for 130W Amalgam *)



Please refer to page 7 for the product information

## Blue Lagoon UV-C Saltwater

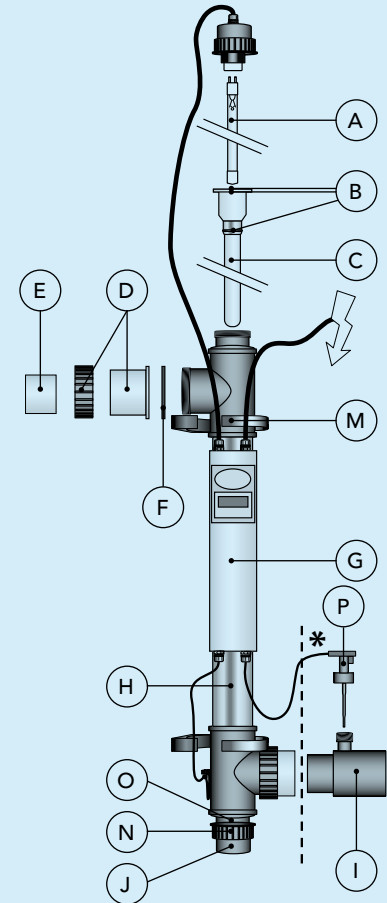
ART. NUMBER	DESCRIPTION
<b>BE06402</b>	<b>UV-C Saltwater 40W</b>
<b>BE06752</b>	<b>UV-C Saltwater 75W</b>
EP04019	<b>A</b> Electrical part for Saltwater UV-C 40 watt
EP075015	Electrical part for Saltwater UV-C 75 watt
E801408	<b>C</b> Philips Smart Cap Lamp 40 Watt
E801407	Philips Smart Cap Lamp 75 Watt
E800912	<b>D</b> O-Ring for Quartz sleeve (3 pieces)
E800957	<b>E</b> Quartz glass sleeve 40/75 Watt
F990115	<b>F</b> Reduction piece 1,5" female threaded x 63 out 50 in ABS
B915000	<b>G</b> 3-Way connection 63mm (2 pieces)
B910002ZW	<b>H</b> Housing for Saltwater 40/75 Watt
E800941	<b>I</b> O-Ring for 3-Way connection (2 pieces)
B290006	<b>J</b> Installation grip 75 mm for Blue Lagoon UV-C Tech
F990071	<b>K</b> Earthing cable 40/75 Watt



Please refer to page 8 for the product information

## Blue Lagoon UV-C Timer

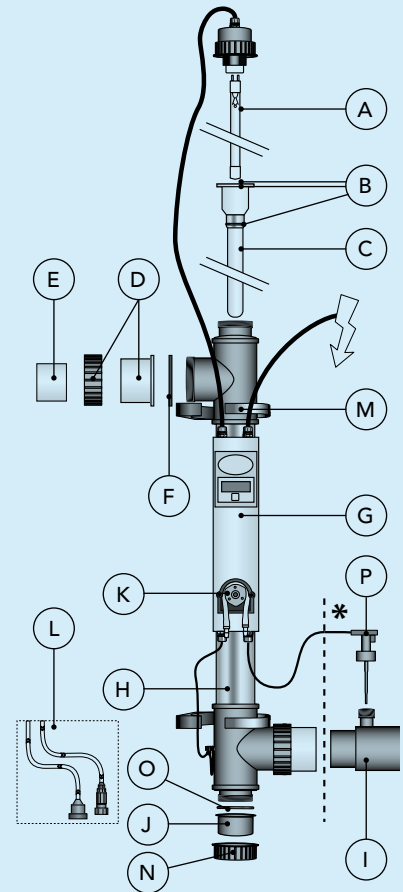
ART. NUMBER	DESCRIPTION
<b>BH01402</b>	<b>Timer 40W</b>
<b>BH01752</b>	<b>Timer 75W</b>
<b>BH01132</b>	<b>Timer 130W Amalgam*</b>
B212003	Housing for Blue Lagoon UV-C Timer 40 Watt & 75 Watt
B910003	Housing for Blue Lagoon UV-C Timer amalgam 130 Watt
F980917	Quartz glass sleeve Tech / Timer 40&75 Watt
E800913	Quartz glass sleeve UV-C Timer Amalgam 130 Watt
E800912	O-Ring for quartz sleeve (3 pieces)
E800901	Lamp TUV 36T5 4P-SE (40 Watt)
E800902	Lamp TUV 36T5 HO 4P-SE (75 Watt)
E800904	Lamp TUV 130 Watt 4P-SE Amalgam
EP040011	Electrical part for Blue Lagoon UV-C Timer 40 Watt
EP075006	Electrical part for Blue Lagoon UV-C Timer 75 Watt
EP130006	Electrical part for BL UV-C Timer 130 Watt met switch
B915000	3-Way connection 63mm (2 pieces)
E800944	3-Way connection size USA / UK (60,5 mm) (2 pieces)
E800941	O-Ring for 3-way connection (2 pieces)
F990115	Reduction piece 1,5" female threaded x 63 out 50 in ABS
B290020	Reduction piece 63/63 3/4" screw-thread for flow switch (only for 130W Amalgam *)
B290021	Reduction piece 60,3/60,3 3/4" screw-thread for flow switch (only for 130W Amalgam *)
B290010	Nut for end cap Blue Lagoon UV-C Timer
E801519	O-ring for end cap Blue Lagoon UV-C Timer
F990009	End cap 40W/75W
F990010	End cap amalgam 130W
B290006	Installation grip 75 mm for Blue Lagoon UV-C Timer
B290018	Flow switch (only for 130W Amalgam *)



Please refer to page 9 for the product information

## Blue Lagoon UV-C Timer+

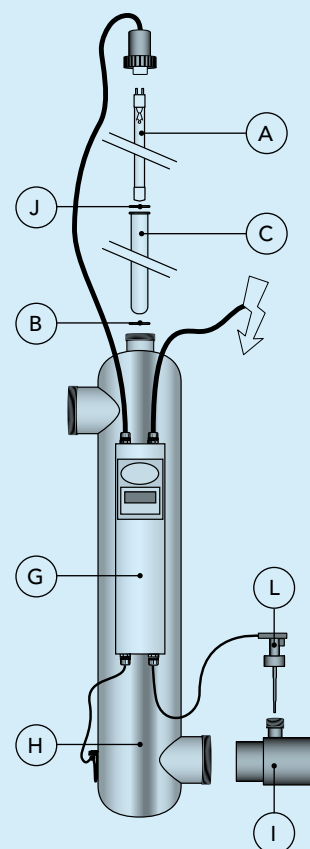
ART. NUMBER	DESCRIPTION
<b>BH02402</b>	<b>Timer+ 40W</b>
<b>BH02752</b>	<b>Timer+ 75W</b>
<b>BH02132</b>	<b>Timer+ 130W Amalgam*</b>
B212003	Housing for Blue Lagoon UV-C Timer 40 Watt & 75 Watt
B910003	Housing for Blue Lagoon UV-C Timer amalgam 130 Watt
QG011	Quartz glass sleeve Tech / Timer 40&75 Watt
QG011	Quartz glass sleeve UV-C Timer Amalgam 130 Watt
E800912	O-Ring for Quartz sleeve (3 pieces)
E800901	Lamp TUV 36T5 4P-SE (40 Watt)
E800902	Lamp TUV 36T5 HO 4P-SE (75 Watt)
E800904	Lamp TUV 130 Watt 4P-SE Amalgam
EP040010	Electrical part for Blue Lagoon UV-C Timer+ 40 Watt
EP040008	Electrical part for Blue Lagoon UV-C Timer+ 75 Watt
EP130008	Electrical part for BL UV-C Timer+ 130 Watt met switch
B915000	3-Way connection 63 mm (2 pieces)
E800944	3-Way connection size USA / UK (60,5 mm) (2 pieces)
E800941	O-ring for 3-Way connection (2 pieces)
F990115	Reduction piece 1,5" female threaded x 63 out 50 in ABS
B290020	Reduction piece 63/63 3/4" screw-thread for flow switch (only for 130W Amalgam *)
B290021	Reduction piece 60,3/60,3 3/4" screw-thread for flow switch (only for 130W Amalgam *)
B290010	Nut 70 mm x 33,5 mm
E801519	O-ring for end cap Blue Lagoon UV-C Timer+
F990009	End cap 40W/75W
F990010	End cap amalgam 130W
B290065	Pump head
B200023	Dosing pump replacement set
B290006	Installation grip 75 mm for Blue Lagoon UV-C Timer+
B290018	Flow switch (only for 130W Amalgam *)



Please refer to page 10 for the product information

## Blue Lagoon **UV-C Pro**

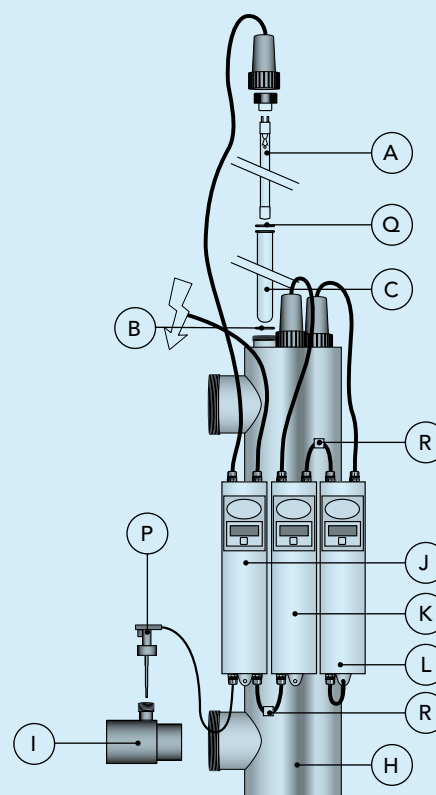
ART. NUMBER	DESCRIPTION
<b>BP02752</b>	<b>Pro 75W</b>
<b>BP02132</b>	<b>Pro 130W Amalgam</b>
B212002	<b>H</b> Housing for Blue Lagoon Pro
B210017	<b>C</b> Quartz glass sleeve UV-C Pro
E800902	<b>A</b> Lamp TUV 36T5 HO 4P-SE (75 Watt)
E800904	<b>A</b> Lamp TUV 130 Watt 4P-SE Amalgam
3902107	<b>J</b> O-Ring NBR 32 x 2
3902070	<b>B</b> O-ring 28 x 4
B214012	<b>G</b> Electrical part for Blue Lagoon Pro 75 Watt incl. flow switch
B214011	<b>G</b> Electrical part for Blue Lagoon Pro 130 Watt incl. flow switch
B290020	<b>I</b> Reduction piece 63/63 3/4" screw-thread for flow switch
B290021	<b>I</b> Reduction piece 60,3/60,3 3/4" screw-thread for flow switch
B290018	<b>L</b> Flow switch



Please refer to page 11 for the product information

## Blue Lagoon **UV-C Pro Buster**

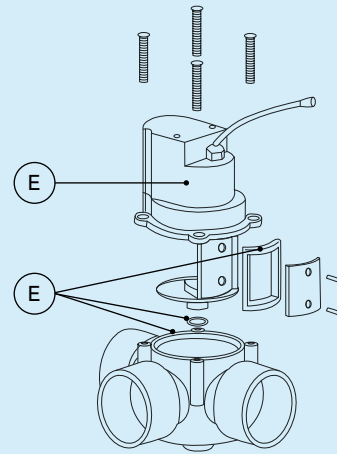
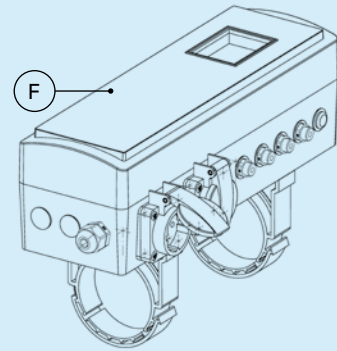
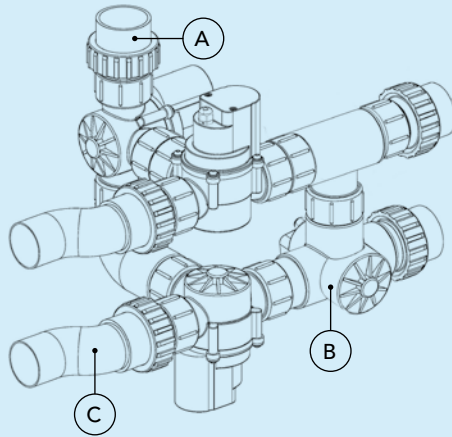
ART. NUMBER	DESCRIPTION
<b>BP06132</b>	<b>Pro Buster 3x130W Amalgam</b>
B212009	<b>H</b> Housing for Blue Lagoon UV-C Pro Buster
B210017	<b>C</b> Quartz glass sleeve UV-C Pro Buster
E800904	<b>A</b> Lamp TUV 130 Watt 4P-SE Amalgam
3902107	<b>Q</b> O-Ring NBR 32 x 2
3902070	<b>B</b> O-Ring 28 x 4
B240013	<b>J</b> Electrical part for Blue Lagoon Pro Buster I + flow switch
B240014	<b>K</b> Electrical part for Blue Lagoon Pro Buster II
B240015	<b>L</b> Electrical part for Blue Lagoon Pro Buster III + earth
B290020	<b>I</b> Reduction piece 63/63 3/4" screw-thread for flow switch
B290021	<b>I</b> Reduction piece 60,3/60,3 3/4" screw-thread for flow switch
E801215	<b>R</b> Wire connector
B290018	<b>P</b> Flow switch



Please refer to page 13 for the product information

## Flow-Matic

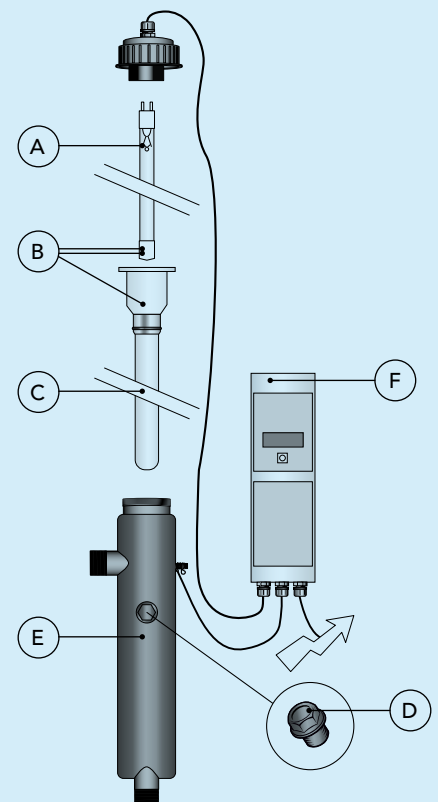
ART. NUMBER	DESCRIPTION
<b>4050000</b>	<b>Blue Lagoon Flow-Matic</b>
B290096	<b>A</b> 3-Way Connection Flow-Matic 63mm (2 pieces)
B200035AUTO4	<b>B</b> Replacement Valve
B290097	<b>C</b> Eccentric Connection Flow-Matic (including nut)
B290098	<b>E</b> Seal Service Set Flow-Matic (4 Valves)
B290094	<b>F</b> Touch Screen Control Unit



Please refer to page 14 for the product information

## Blue Lagoon Pro 3S

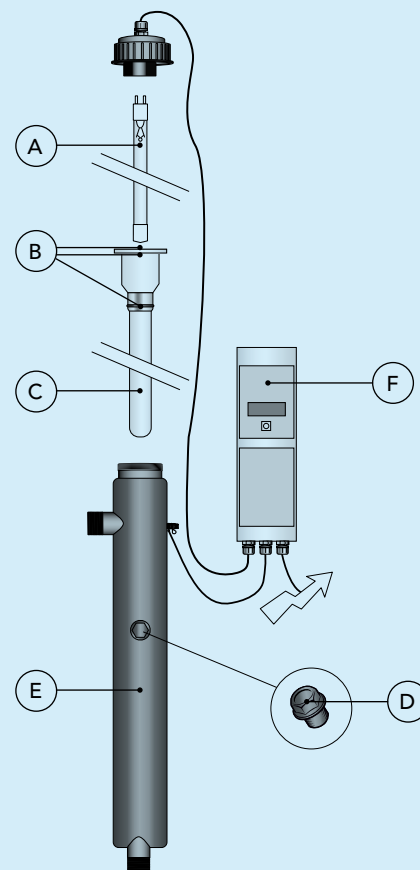
RÉFÉRENCE	DESCRIPTION
<b>XP04402</b>	<b>Pro 3S Amalgam</b>
<b>XP04402.1</b>	<b>Pro 3S</b>
3903801	<b>E</b> Housing for Pro 3S
QG018	<b>C</b> Quartz glass sleeve Pro 3S 40 Watt
E800912	<b>B</b> O-ring for quartz sleeve (3 pieces)
4800070AM	<b>A</b> Lamp 40 Watt Amalgam for Pro 3S
F980068	<b>A</b> Lamp 40 Watt short for Pro 3S
EP40016	<b>F</b> Electrical part for Pro 3S amalgam
EP040020	<b>F</b> Electrical part for Pro 3S
F990148N	<b>D</b> Translucent plug 1/2"



Please refer to page 15 for the product information

## Blue Lagoon **Pro 3L**

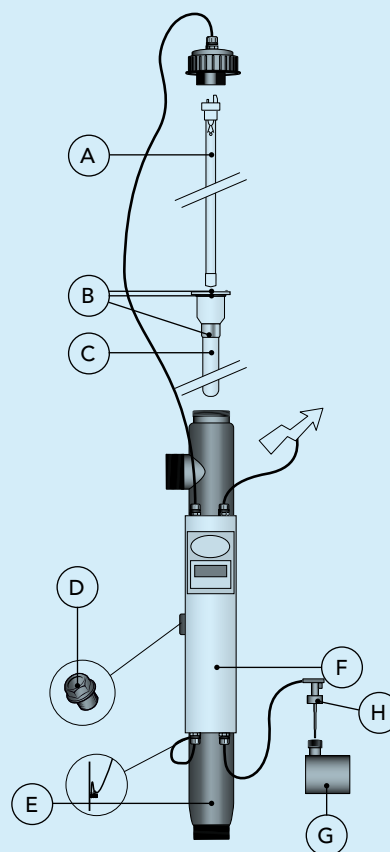
ART. NUMBER	DESCRIPTION
<b>XP05752</b>	<b>Pro 3L</b>
B212004	<b>E</b> Housing for Pro 3L
QG017	<b>C</b> Quartz glass sleeve
E800912	<b>B</b> O-ring for quartz sleeve (3 pieces)
3300037	<b>A</b> T5 Lamp 75 watt LightTech
EP075023	<b>F</b> Electrical part for Pro 3L
F990148N	<b>D</b> Translucent plug 1/2"



Please refer to page 16 for the product information

## Blue Lagoon **Pro 8L**

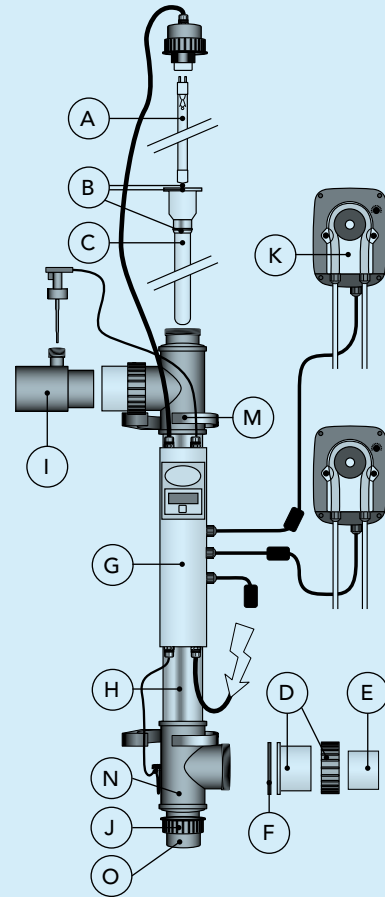
ART. NUMBER	DESCRIPTION
<b>XP03752</b>	<b>Pro 8L</b>
B212026	<b>E</b> Housing for Pro 8L
E800957	<b>C</b> Quartz glass sleeve Smartlamp
E800912	<b>B</b> O-ring for quartz sleeve (3 pieces)
B280005	<b>A</b> Philips T5 Smart cap lamp 75 Watt
EP075024	<b>F</b> electrical part for Pro 8L
F990148N	<b>D</b> Translucent plug 1/2"
B290020	<b>G</b> Reduction piece 63/63 3/4 screw-thread for flow switch
B290021	reduction piece 60,3/60,3 3/4" srew-thread for flow switch
B290018	<b>H</b> flow switch



Please refer to page 17 for the product information

## Blue Lagoon UV-C Pool Manager

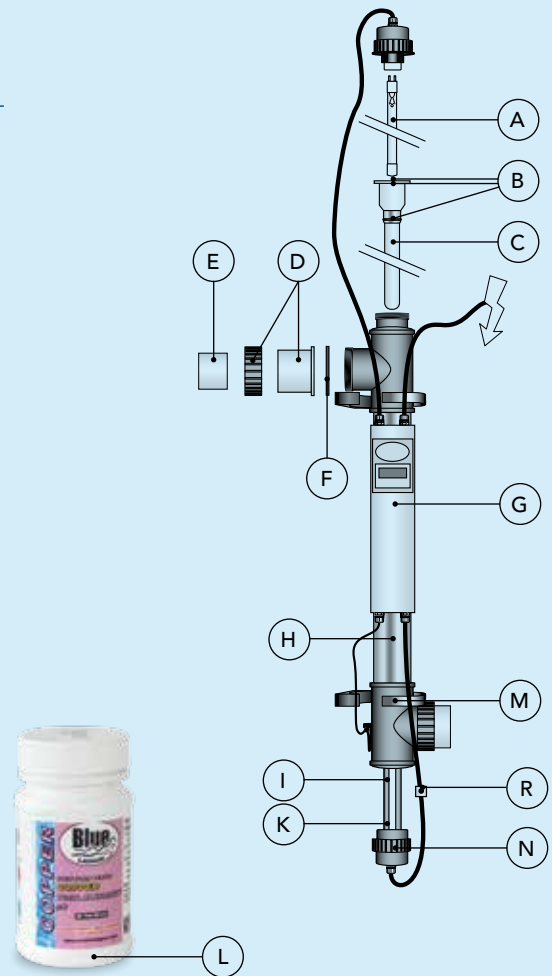
ART. NUMBER	DESCRIPTION
<b>BH06402</b>	<b>Pool Manager 40W</b>
<b>BH06752</b>	<b>Pool Manager 75W</b>
<b>BH06132</b>	<b>Pool Manager 130W Amalgam</b>
B212003	<b>H</b> Housing for Blue Lagoon UV-C Pool Manager 40/75 Watt
B910003	Housing for Blue Lagoon UV-C Pool Manager 130W
QG011	<b>C</b> Quartz glass sleeve Blue Lagoon UV-C Pool Manager 40/75 Watt
QG011	Quartz glass sleeve Blue Lagoon UV-C Pool Manager Amalgam
E800912	<b>B</b> O-Ring for quartz sleeve (3 pieces)
E800901	Lamp TUV 36T5 4P-SE (40 watt)
E800902	<b>A</b> Lamp TUV 36T5 HO 4P-SE (75 watt)
E800904	Lamp TUV 130 watt 4P-SE Amalgam
EP040006	Electrical part for Blue Lagoon UV-C Pool Man. 40 Watt + Flow switch
EP075009	<b>G</b> Electrical part for Blue Lagoon UV-C Pool Man. 75 Watt + Flow switch
EP130005	Electrical part for Blue Lagoon UV-C Pool Man. Amalgam + Flow switch
B214020	<b>K</b> Dosing pump
B915000	<b>D</b> 3-Way connection 63mm (2 pieces)
E800944	3-Way connection size USA / UK (60,5 mm) (2 pieces)
E800941	<b>F</b> O-Ring for 3-Way connection (2 pieces)
F990115	<b>E</b> Reduction piece 1,5" female threaded x 63 out 50 in ABS
B290020	<b>I</b> Reduction piece 63/63 3/4" screw-thread for flow switch
B290021	Reduction piece 60,3/60,3 3/4" screw-thread for flow switch
B290010	<b>N</b> Nut for end cap Blue Lagoon UV-C Pool Manager
E801519	<b>O</b> O-ring for end cap Blue Lagoon UV-C Pool Manager
F990009	<b>J</b> End cap
B290006	<b>M</b> Installation grip 75 mm for Blue Lagoon UV-C Pool Manager



Please refer to page 18 for the product information

## Blue Lagoon UV-C Copper Ionizer

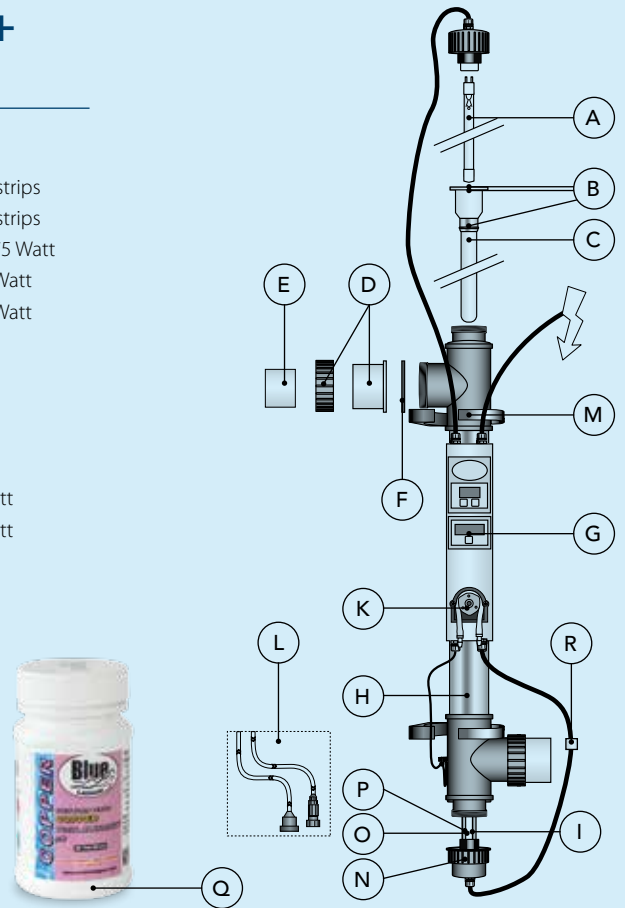
ART. NUMBER	DESCRIPTION
<b>BH04402</b>	<b>UV-C Copper Ionizer 40W</b>
<b>BH04752</b>	<b>UV-C Copper Ionizer 75W</b>
B200012	<b>J</b> Replacement set: copper, Blue lagoon lamp 40 watt & test strips
B200013	<b>K</b> Replacement set: copper, Blue lagoon lamp 75 watt & test strips
B220002	<b>H</b> Housing for Blue Lagoon UV-C Copper Ionizer 40 watt & 75 Watt
QG008	<b>C</b> Quartz glass sleeve Blue Lagoon UV-C Copper Ionizer 40 Watt
QG008	<b>C</b> Quartz glass sleeve Blue Lagoon UV-C Copper Ionizer 75 Watt
E800912	<b>B</b> O-Ring for Quartz sleeve (3 pieces)
B280002	<b>A</b> Lamp voor Blue Lagoon UV-C Copper Ionizer 40 Watt
B280001	<b>A</b> Lamp voor Blue Lagoon UV-C Copper Ionizer 75 Watt
B290029	<b>I</b> Copper for Blue Lagoon UV-C Copper Ionizer
B200020	<b>L</b> Test strips voor Blue Lagoon UV-C Copper Ionizer
EP040007	<b>G</b> Electrical part for Blue Lagoon UV-C Copper Ionizer 40 Watt
EP075011	<b>G</b> Electrical part for Blue Lagoon UV-C Copper Ionizer 75 Watt
B915000	<b>D</b> 3-Way connection 63mm (2 pieces)
E800944	<b>D</b> 3-Way connection size USA / UK (60,5 mm) (2 pieces)
E800941	<b>F</b> O-Ring for 3-Way connection (2 pieces)
F990115	<b>E</b> Reduction piece 1,5" female threaded x 63 out 50 in ABS
B290010	<b>N</b> Nut 70mm x 33,5mm
B290006	<b>M</b> Installation grip 75mm for Blue Lagoon UV-C Copper Ionizer
E801215	<b>R</b> Wire connector



Please refer to page 19 for the product information

## Blue Lagoon UV-C Copper Ionizer +

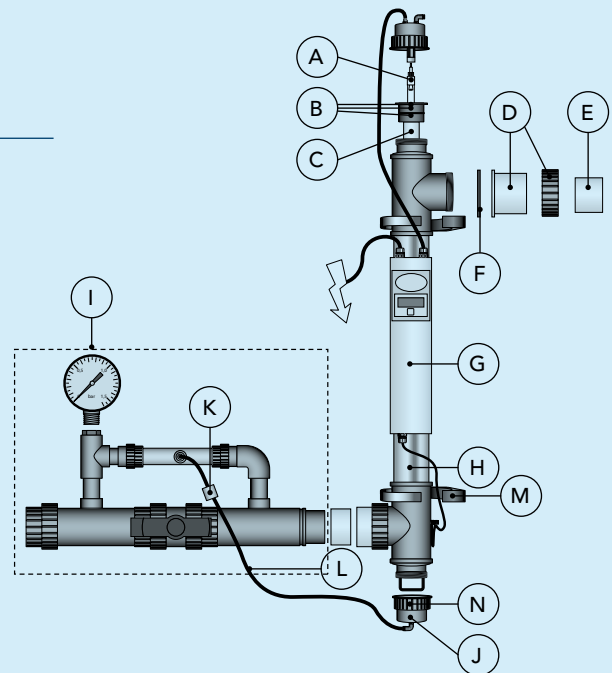
ART. NUMBER	DESCRIPTION
<b>BH05402</b>	<b>UV-C Copper Ionizer+ 40W</b>
<b>BH05752</b>	<b>UV-C Copper Ionizer+ 75W</b>
B200012	<b>O</b> Replacement set: copper, Blue lagoon lamp 40 Watt & test strips
B200013	<b>P</b> Replacement set: copper, Blue lagoon lamp 75 Watt & test strips
B220002	<b>H</b> Housing for Blue Lagoon UV-C Copper Ionizer+ 40 Watt & 75 Watt
QG008	<b>C</b> Quartz glass sleeve Blue Lagoon UV-C Copper Ionizer+ 40 Watt
QG008	<b>C</b> Quartz glass sleeve Blue Lagoon UV-C Copper Ionizer+ 75 Watt
E800912	<b>B</b> O-Ring for quartz sleeve (3 pieces)
B280002	<b>A</b> Lamp for Blue Lagoon Copper Ionizer+ 40 Watt
B280001	<b>A</b> Lamp for Blue Lagoon Copper Ionizer+ 75 Watt
B290029	<b>I</b> Copper for Blue Lagoon UV-C Copper Ionizer+
B200020	<b>Q</b> Test strips for Blue Lagoon UV-C Copper Ionizer+
EP040009	<b>G</b> Electrical part for Blue Lagoon UV-C Copper Ionizer+ 40 Watt
EP075012	<b>G</b> Electrical part for Blue Lagoon UV-C Copper Ionizer+ 75 Watt
B915000	<b>D</b> 3-Way connection 63mm (2 pieces)
E800944	<b>D</b> 3-Way connection size USA / UK (60,5 mm) (2 pieces)
E800941	<b>F</b> O-Ring for 3-Way connection (2 pieces)
F990115	<b>E</b> Reduction piece 1,5" female threaded x 63 out 50 in ABS
B290065	<b>K</b> Pump head
B200023	<b>L</b> Dosing pump replacement set
B290010	<b>N</b> Nut 70 mm x 33,5 mm
B290006	<b>M</b> Installation grip 75 mm for Blue Lagoon UV-C
E801215	<b>R</b> Wire connector



Please refer to page 20 - 21 for the product information

## Blue Lagoon Ozone UV-C

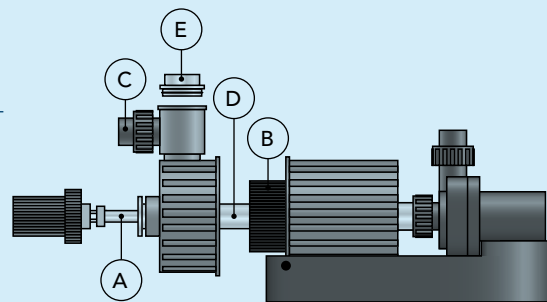
ART. NUMBER	DESCRIPTION
<b>BH03752</b>	<b>UV-C Ozone 75W</b>
B220011	<b>H</b> Housing for Blue Lagoon Ozone UV-C 75 Watt
QG025	<b>C</b> Quartz glass sleeve Blue Lagoon Ozone UV-C 75 Watt
E800912	<b>B</b> O-Ring for quartz sleeve (3 pieces)
F980501	<b>A</b> Ozone UV-C lamp 75 Watt
EP075008	<b>G</b> Electrical part for Blue Lagoon Ozone UV-C 75 Watt
F990134	<b>I</b> Venturi unit (incl. Manometer)
F990126	<b>K</b> Check valve
F990127	<b>L</b> PE hose black for ozone
B915000	<b>D</b> 3-Way connection 63mm (2 pieces)
E800944	<b>F</b> O-Ring for 3-Way connection (2 pieces)
E800941	<b>E</b> Reduction piece 1,5" female threaded x 63 out 50 in ABS
F990115	<b>M</b> Installation grip 75 mm for Blue Lagoon UV-C Ozone
B290006	<b>N</b> Nut 70 mm x 33,5 mm
B290010	<b>J</b> End cap ozone with 1 air plug



Please refer to page 22 for the product information

## Compact4Pool

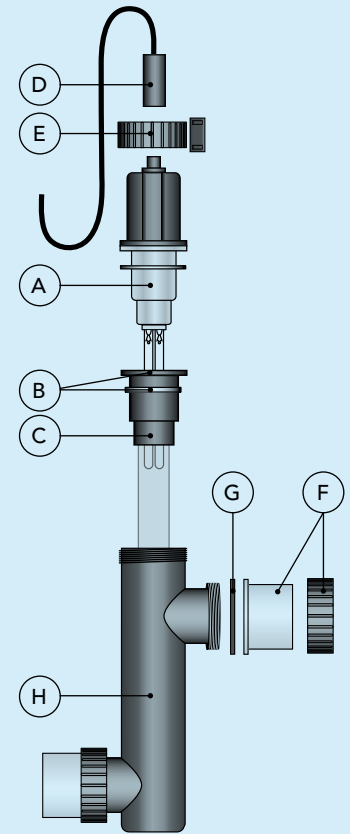
ART. NUMBER	DESCRIPTION
<b>BE04112</b>	<b>Compact4Pool</b>
E801406	<b>A</b> Lamp 11 Watt for Compact4pool
E801524	<b>B</b> Filter cartridge for Compact4pool
E801527	<b>B</b> Cartouche filter for Compact4pool
E801162	<b>C</b> 3-Way connection pieces Compact4pool (2 pieces)
B290072	<b>D</b> Quartz glass sleeve for Compact4pool
E801156	<b>E</b> Cap for Compact4pool



Please refer to page 23 for the product information

## Blue Lagoon Spa UV-C

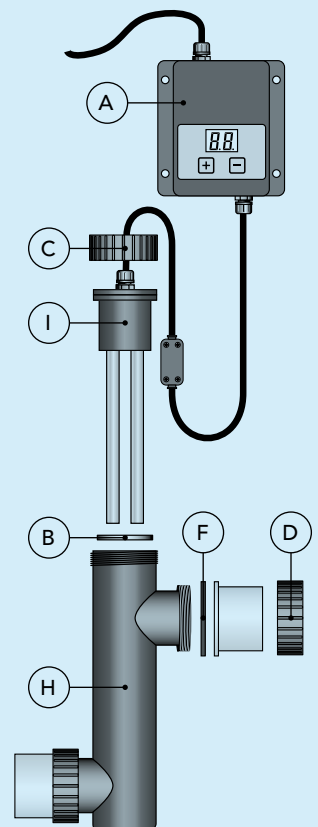
ART. NUMBER	DESCRIPTION
<b>BE01122</b>	<b>Spa UV-C 12W 230V</b>
<b>BE01151</b>	<b>Spa UV-C 15W 120V</b>
B212010	<b>H</b> Housing for Blue Lagoon UV-C Spa PLS Module
B290072	<b>C</b> Quartz glass sleeve UV-C 11W/12W/15W
E800912	<b>B</b> O-Ring for Quartz sleeve (3 pieces)
B212012	<b>A</b> Lamp PLS module 12W
B212012USA	<b>A</b> Lamp PLS module 15W
E801205	<b>D</b> Cable 230V
E801219	<b>D</b> Cable 120V
3901044	<b>E</b> Nut 70mm x 33,5mm black
B212014	<b>F</b> 3-Way connection 50mm (2 pieces)
B212015	<b>F</b> 3-Way connection 48mm (2 pieces)
E801509	<b>G</b> O-Ring for 3-Way connection (1 piece)



Please refer to page 24 for the product information

## Blue Lagoon Copper Electrolyzer

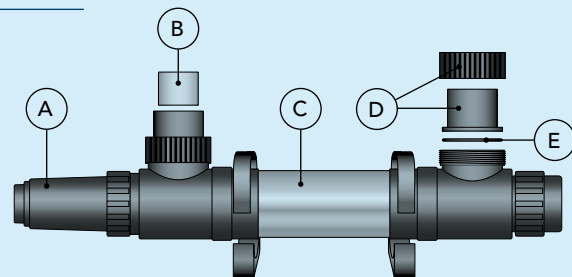
ART. NUMBER	DESCRIPTION
<b>BE05752</b>	<b>Copper Electrolyzer</b>
B212013	<b>H</b> Housing for Blue Lagoon Copper Electrolyzer
B290076	<b>A</b> Control Box for Blue Lagoon Copper Electrolyzer
E801500	<b>B</b> O-Ring 56x3 mm Housing-Glass
B290029	<b>I</b> Copper unit for Blue Lagoon Copper Electrolyzer
B200020	<b>Q</b> Test strips for Blue Lagoon Copper Electrolyzer
B212014	<b>D</b> 3-Way connection 50mm (2 pieces)
B290010	<b>C</b> Nut for end cap Blue Lagoon 70mm x 33,5mm



Please refer to page 26 for the product information

## Profi Heater

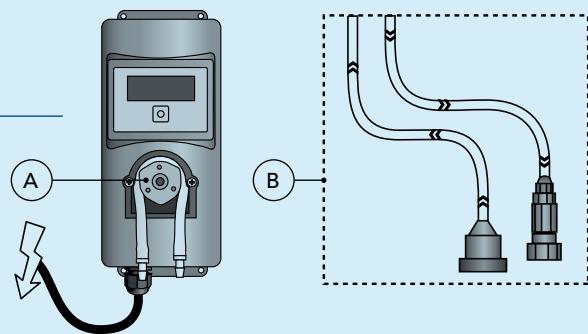
ART. NUMBER	DESCRIPTION
<b>E830008</b>	<b>Profi Heater 1Kw</b>
<b>E830009</b>	<b>Profi Heater 2Kw</b>
<b>E830010</b>	<b>Profi Heater 3Kw</b>
E830011	<b>C</b> Housing for Profiheater 1kW, 2kW & 3kW
E831300	Heater element for Profiheater 1kW
E831301	<b>A</b> Heater element for Profiheater 2kW
E831302	Heater element for Profiheater 3kW
E800940	<b>D</b> 3-Way connection Profiheater 1kW/2kW/3kW
E800941	<b>E</b> O-Ring for 3-Way connection (2 pieces)
F990115	<b>B</b> Reduction piece 1,5" female threaded x 63 out 50 in ABS
E800946	<b>F</b> Reduce set 63 mm > 50mm glue / screw + hose adapter 40-32-25 mm (2pcs)
F990113	<b>G</b> End cap



Please refer to page 27 for the product information

## Blue Lagoon Pool Dispense

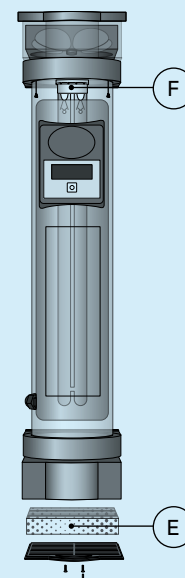
ART. NUMBER	DESCRIPTION
<b>B210010</b>	<b>Pool Dispense</b>
B290065	<b>A</b> Pump head
B200023	<b>B</b> Dosing pump replacement set



Please refer to page 31 for the product information

## Blue Lagoon Aetaire

ART. NUMBER	DESCRIPTION
<b>4600001</b>	<b>Aetaire</b>
4600003	<b>F</b> Philips replacement lamp Aetaire 60 Watt
4600004	<b>E</b> 3M replacement HAF filter Aetaire



# Blue lagoon

UV-C and Pool equipment



**VGE B.V.**

Ekkersrijt 7408  
5692 HK Son  
The Netherlands

Tel. +31(0) 499 461 099  
Fax +31(0) 499 494 229

info@vgebv.nl  
www.vgebv.com  
www.bluelagoonuvc.com

